



# EMRHRX

Parts List  
06-March-2019



*This parts list is current as of the above revision date.  
See <http://www.rheempartslists.net/92-42802-EMRHRX.pdf> for the current revision.*

**Package Air Conditioners**

# Table of Contents

Model Explanation.....	Page 3
<b>Parts Numbers</b>	
Panels - Miscellaneous_1.....	Page 4
Panels - Miscellaneous_2.....	Page 5
Panels - 096-120 Miscellaneous_3.....	Page 6
Electrical Group.....	Page 7
Fan Group.....	Page 8
Blower Group.....	Page 9
Blower Moter Group - 096-120.....	Page 10
Coil Parts - 042-078.....	Page 11
Coil Parts - 096-120.....	Page 12
Compressor Group.....	Page 13
Accessories.....	Page 14
<b>Drawings/Photographs</b>	
Outside Cabinet 042-078 (1).....	Page 15
Outside Cabinet 042-078 (2).....	Page 16
Outside Cabinet View 096-120 (1).....	Page 17
Outside Cabinet View 096-120 (2).....	Page 18
Interior Assembly 042-078 (1).....	Page 19
Interior Assembly 042-078(2).....	Page 20
Interior Assembly 042-078 (3).....	Page 21
Interior Assembly 096-120 (1).....	Page 22
Interior Assembly 096-120 (2).....	Page 23
Interior Assembly 096-120 (3).....	Page 24
Compressor Assembly 042-078.....	Page 25
Compressor Assembly 096-120.....	Page 26
Fan Assembly - Control Box 042-078.....	Page 27
Fan Assembly 096-120.....	Page 28
Control Box view 096-120.....	Page 29
Blower Assembly 042-078.....	Page 30
Blower Assembly 096-120.....	Page 31
Blower Motor - Mount View 096-120.....	Page 32
Base Pan Assy 042-078.....	Page 33
Base Pan Assy 096-120.....	Page 34
Notes/Disclaimer.....	Page 35

**MODEL NUMBER EXPLANATION**

<b>E</b>	<b>MR</b>	<b>H</b>	<b>R</b>	<b>X</b>	<b>042</b>	<b>A</b>	<b>N</b>	<b>T</b>	<b>00</b>	<b>0</b>	<b>A</b>	<b>A</b>	<b>***</b>
<b>(1)</b>	<b>(2)</b>	<b>(3)</b>	<b>(4)</b>	<b>(5)</b>	<b>(6)</b>	<b>(7)</b>	<b>(8)</b>	<b>(9)</b>	<b>(10)</b>	<b>(11)</b>	<b>(12)</b>	<b>(13)</b>	<b>(14)</b>

- |  |   |
|--|---|
| <p><b>(1) BRAND IDENTIFICATION</b><br/>E= RHEEM</p> <p><b>(2) UNIT TYPE</b><br/>MR= Middle East Rooftop</p> <p><b>(3) CABINET TYPE</b><br/>H= Horizontal Discharge</p> <p><b>(4) SERIES</b><br/>R= Single Stage<br/>S= Two Stage<br/>T= Tier 1</p> <p><b>(5) MARKET</b><br/>X= Generic</p> <p><b>(6) COOLING CAPACITY</b><br/>042= 42,000 BTU/HR<br/>054= 54,000 BTU/HR<br/>060= 60,000 BTU/HR<br/>066= 66,000 BTU/HR<br/>072= 72,000 BTU/HR<br/>078= 78,000 BTU/HR<br/>096= 96,000 BTU/HR<br/>102= 102,000 BTU/HR<br/>120= 120,000 BTU/HR</p> | <p><b>(7) MAJOR DESIGN VARIATION</b><br/>A= First Design</p> <p><b>(8) ELECTRICAL DESIGNATION</b><br/>N= 308/415V - 3PH - 50 HZ<br/>V= 308 V - 3PH - 60 HZ</p> <p><b>(9) DRIVE DESIGNATION</b><br/>A= Belt Low Static<br/>T= Constant Torque</p> <p><b>(10) HEATING CAPACITY</b><br/>00=No Heat</p> <p><b>(11) HEATING CAPACITY</b><br/>0= Non-Communicating</p> <p><b>(12) CONTROL</b><br/>A= First Design</p> <p><b>(13) MINOR SERIES</b><br/>A= First Design</p> <p><b>(14) OPTION CODES</b><br/>Blank= None</p> |
|--|---|

**SERIAL NUMBER EXPLANATION**

<b>W</b>	<b>0</b>	<b>8</b>	<b>1</b>	<b>3</b>	<b>9</b>	<b>9</b>	<b>9</b>	<b>9</b>
<b>(1)</b>	<b>(2)</b>		<b>(3)</b>		<b>(4)</b>			

- (1) PLANT CODE**  
W = Nuevo Laredo (West)
- (2) WEEK OF PRODUCTION**
- (3) YEAR OF PRODUCTION**
- (4) PRODUCTION NUMBER**

**Note: For Compressor Identification Number, see Compressor Code on Rating Plate**

No.	Notes	MODEL COOLING CAPACITY MAJOR DESIGN VARIATION ELECTRICAL DESIGNATION	EMRHRX	EMRHRX	EMRHRX	EMRHRX
			042 A N	054 A N	066 A N	078 A N
<b>PANELS, MISCELLANEOUS PARTS</b>						
1		Back Louver Panel	AE-106771-01H	AE-106771-01H	AE-106771-01H	AS-106771-01H
2		Corner Post	AE-106773-01H	AE-106773-01H	AE-106773-01H	AE-106773-01H
3a		Front Center Post	AE-100821-02H	AE-100821-02H	AE-100821-02H	AE-100821-03H
3b		Rear Center Post	AE-106769-01H	AE-106769-01H	AE-106769-01H	AE-106769-02H
4a		Front Louver Panel	AE-100830-03H	AE-100830-03H	AE-100830-03H	AS-100830-03H
4b		Left Louver Panel	AE-100830-03H	AE-100830-03H	AE-100830-03H	AS-100830-03H
5a		Insulation Retainer	AE-100831-03	AE-100831-03	AE-100831-03	AE-100831-03
5b		Insulation Retainer (2)	AE-100831-01	AE-100831-01	AE-100831-01	AE-100831-01
6		Front Access Panel	AE-100823-02H	AE-100823-02H	AE-100823-02H	AE-100823-02H
7	Stk	Drainpan	68-100808-02	68-100808-02	68-100808-02	68-100808-02
8		Air Stop - Drainpan	AE-100825-01	AE-100825-01	AE-100825-01	AE-107031-01
9		Air Stop - Drainpan	AE-100825-02	AE-100825-02	AE-100825-02	AE-100825-03
10		Drainpan Tray	AE-100809-01H	AE-100809-01H	AE-100809-01H	AE-100809-02H
11		Control Access Panel	AE-106781-01H	AE-106781-01H	AE-106781-01H	AE-106781-01H
11a		Service Port Door	AE-106784-01H	AE-106784-01H	AE-106784-01H	AE-106784-01H
12		Control Panel Assembly	AS-100807-02	AS-100807-02	AS-100807-02	AS-100807-02
13		Base Rail (2)	AE-102792-01	AE-102792-01	AE-102792-01	AE-102792-01
15		Base Pan	AE-100804-01H	AE-100804-01H	AE-100804-01H	AE-100804-01H
16		Right Panel Assembly	AS-100820-02H	AS-100820-02H	AS-100820-02H	AS-100820-02H
17		Blower Support	AE-100818-02	AE-100818-02	AE-100818-02	AE-100818-02
		Insulation Retainer (2)	AE-100831-01	AE-100831-01	AE-100831-01	AE-100831-01
18		Transition Bottom	AE-100815-01	AE-100815-01	AE-100815-01	AE-100815-01
19		Transition Top	AE-100815-02	AE-100815-02	AE-100815-02	AE-100815-02
20		Block Off Plate	AE-100816-01	AE-100816-01	AE-100816-01	AE-100816-01
21		Rear Panel Assembly	AS-106949-01H	AS-106949-01H	AS-106949-01H	AS-106949-01H
22		Rear Air Stop	AE-100810-02	AE-100810-02	AE-100810-02	AE-107032-01
23		Top Panel Assembly (Indoor)	AS-100828-01H	AS-100828-01H	AS-100828-01H	AS-100828-01H
24		Top Panel (Outdoor)	AE-106774-01H	AE-106774-01H	AE-106774-01H	AE-106774-01H
24a		Venturi	68-104464-06	68-104464-06	68-104464-10	68-104464-10
25		Grille	95-105939-02	95-105939-02	95-105939-02	95-105939-02
28		Blower Support	AE-100818-01	AE-100818-01	AE-100818-01	AE-100818-01
29		Bulkhead Cap Assembly	AS-100826-01H	AS-100826-01H	AS-100826-01H	AS-100826-01H
30		Bulkhead Assembly	AS-100812-02	AS-100812-02	AS-100812-02	AS-100812-02
37		Low Voltage Mount	AE-100839-01	AE-100839-01	AE-100839-01	AE-100839-01
38		Low Voltage Cover	AE-100839-02	AE-100839-02	AE-100839-02	AE-100839-02
43		Heater Kit Delete Plate (Mounted in Control Box)	AE-100842-01	AE-100842-01	AE-100842-01	AE-100842-01
49		Gauge Port Enclosure	AE-101352-01	AE-101352-01	AE-101352-01	AE-101352-01

No.	Notes	MODEL COOLING CAPACITY MAJOR DESIGN VARIATION ELECTRICAL DESIGNATION	EMRHRX	EMRHRX	EMRHRX	
			060 A V	066 A V	072 A V	
<b>PANELS, MISCELLANEOUS PARTS</b>						
1		Back Louver Panel	AE-106771-01H	AE-106771-01H	AE-106771-01H	
2		Corner Post	AE-106773-01H	AE-106773-01H	AE-106773-01H	
3a		Front Center Post	AE-100821-02H	AE-100821-02H	AE-100821-02H	
3b		Rear Center Post	AE-106769-01H	AE-106769-01H	AE-106769-01H	
4a		Front Louver Panel	AE-100830-03H	AE-100830-03H	AE-100830-03H	
4b		Left Louver Panel	AE-100830-03H	AE-100830-03H	AE-100830-03H	
5a		Insulation Retainer	AE-100831-03	AE-100831-03	AE-100831-03	
5b		Insulation Retainer (2)	AE-100831-01	AE-100831-01	AE-100831-01	
6		Front Access Panel	AE-100823-02H	AE-100823-02H	AE-100823-02H	
7	Stk	Drainpan	68-100808-02	68-100808-02	68-100808-02	
8		Air Stop - Drainpan	AE-100825-01	AE-100825-01	AE-100825-01	
9		Air Stop - Drainpan	AE-100825-02	AE-100825-02	AE-100825-02	
10		Drainpan Tray	AE-100809-01H	AE-100809-01H	AE-100809-01H	
11		Control Access Panel	AE-106781-01H	AE-106781-01H	AE-106781-01H	
11a		Service Port Door	AE-106784-01H	AE-106784-01H	AE-106784-01H	
12		Control Panel Assembly	AS-100807-02	AS-100807-02	AS-100807-02	
13		Base Rail (2)	AE-102792-01	AE-102792-01	AE-102792-01	
15		Base Pan	AE-100804-01H	AE-100804-01H	AE-100804-01H	
16		Right Panel Assembly	AS-100820-02H	AS-100820-02H	AS-100820-02H	
17		Blower Support	AE-100818-02	AE-100818-02	AE-100818-02	
		Insulation Retainer (2)	AE-100831-01	AE-100831-01	AE-100831-01	
18		Transition Bottom	AE-100815-01	AE-100815-01	AE-100815-01	
19		Transition Top	AE-100815-02	AE-100815-02	AE-100815-02	
20		Block Off Plate	AE-100816-01	AE-100816-01	AE-100816-01	
21		Rear Panel Assembly	AS-106949-01H	AS-106949-01H	AS-106949-01H	
22		Rear Air Stop	AE-100810-02	AE-100810-02	AE-100810-02	
23		Top Panel Assembly (Indoor)	AS-100828-01H	AS-100828-01H	AS-100828-01H	
24		Top Panel (Outdoor)	AE-106774-01H	AE-106774-01H	AE-106774-01H	
24a		Venturi	68-104464-06	68-104464-06	68-104464-10	
25		Grille	95-105939-02	95-105939-02	95-105939-02	
28		Blower Support	AE-100818-01	AE-100818-01	AE-100818-01	
29		Bulkhead Cap Assembly	AS-100826-01H	AS-100826-01H	AS-100826-01H	
30		Bulkhead Assembly	AS-100812-02	AS-100812-02	AS-100812-02	
37		Low Voltage Mount	AE-100839-01	AE-100839-01	AE-100839-01	
38		Low Voltage Cover	AE-100839-02	AE-100839-02	AE-100839-02	
43		Heater Kit Delete Plate (Mounted in Control Box)	AE-100842-01	AE-100842-01	AE-100842-01	
49		Gauge Port Enclosure	AE-101352-01	AE-101352-01	AE-101352-01	

No.	Notes	MODEL COOLING CAPACITY MAJOR DESIGN VARIATION ELECTRICAL DESIGNATION	EMRHRX	EMRHRX	EMRHRX	EMRHRX
			096 A V	102 A N	120 A N	120 A V
<b>PANELS, MISCELLANEOUS PARTS</b>						
1		Front Panel Assembly - Supply/ Return	AS-106949-02H	AS-106949-02H	AS-106949-02H	AS-106949-02H
2		Corner Post	AE-106855-01H	AE-106855-01H	AE-106855-01H	AE-106855-01H
3		Corner Panel Left End	AE-106854-01H	AE-106854-01H	AE-106854-01H	AE-106854-01H
4		Front Post Assembly	AS-106896-02H	AS-106896-02H	AS-106896-02H	AS-106896-02H
5		Back Post Assembly	AS-106896-01H	AS-106896-01H	AS-106896-01H	AS-106896-01H
6		Louver Panel	AS-106893-01H	AS-106893-01H	AS-106893-01H	AS-106893-01H
7		Louver Panel	AS-106894-01H	AS-106894-01H	AS-106894-01H	AS-106894-01H
8	Stk	Drainpan	AS-106173-03	AS-106173-03	AS-106173-03	AS-106173-03
9		Drain Pan Braket	10-106850-01	10-106850-01	10-106850-01	10-106850-01
10		Inlet Cover Assembly	AS-106897-01	AS-106897-01	AS-106897-01	AS-106897-01
11		Control Access Panel	AE-106890-01H	AE-106890-01H	AE-106890-01H	AE-106890-01H
12		Service Port Door	AE-106060-02H	AE-106060-02H	AE-106060-02H	AE-106060-02H
12a		Service Port Panel	AE-106857-01	AE-106857-01	AE-106857-01	AE-106857-01
12b		Filter Base	AE-106876-01	AE-106876-01	AE-106876-01	AE-106876-01
13		Control Box Assembly	See Electrical Group			
13a		Control Box Mounting Panel	AE-106878-01	AE-106878-01	AE-106878-01	AE-106878-01
13b		Control Box Back	AE-106877-01	AE-106877-01	AE-106877-01	AE-106877-01
14		Base Rail (3)	AE-106849-01	AE-106849-01	AE-106849-01	AE-106849-01
15		Base Front/ Back (2)	AE-106807-01	AE-106807-01	AE-106807-01	AE-106807-01
16		Base Rail - Condenser End	AE-106807-02	AE-106807-02	AE-106807-02	AE-106807-02
17		Base Rail - Evaporator End	AE-106807-03	AE-106807-03	AE-106807-03	AE-106807-03
18		Base Pan - Indoor	AE-106847-01	AE-106847-01	AE-106847-01	AE-106847-01
19		Base Pan - Outdoor	AE-106848-01	AE-106848-01	AE-106848-01	AE-106848-01
19a		Base Pan Gasket	68-22079-09	68-22079-09	68-22079-09	68-22079-09
20		Right Panel Assembly - Indoor Coil Access	AS-106802-01H	AS-106802-01H	AS-106802-01H	AS-106802-01H
		Insulation - Indoor Coil Access Panel	68-106892-01	68-106892-01	68-106892-01	68-106892-01
21		Left Panel Assembly - Blower Access	AS-106803-01H	AS-106803-01H	AS-106803-01H	AS-106803-01H
		Insulation - Blower Access Panel	68-106889-01	68-106889-01	68-106889-01	68-106889-01
22		Blower Rail	AE-106860-01	AE-106860-01	AE-106860-01	AE-106860-01
23		Front Blower Bracket	10-106883-01	10-106883-01	10-106883-01	10-106883-01
24		Back Blower Bracket	10-106883-02	10-106883-02	10-106883-02	10-106883-02
25		Middle Blower Bracket	10-106883-03	10-106883-03	10-106883-03	10-106883-03
25a		Blower Bracket Gasket (2)	68-107194-05	68-107194-05	68-107194-05	68-107194-05
28		Access Panel - Compressor	AE-106869-01H	AE-106869-01H	AE-106869-01H	AE-106869-01H
28a		Top Indoor Assembly	AS-106805-01H	AS-106805-01H	AS-106805-01H	AS-106805-01H
28b		Top Panel Assembly	AE-106887-01H	AE-106887-01H	AE-106887-01H	AE-106887-01H
		Top Panel Bracket	AE-106888-01	AE-106888-01	AE-106888-01	AE-106888-01
29		Venturi (2)	68-104464-06	68-104464-06	68-104464-06	68-104464-06
30		Grille (2)	95-104620-05	95-104620-05	95-104620-05	95-104620-05
31		Filter Rack Assembly	AS-107047-01H	AS-107047-01H	AS-107047-01H	AS-107047-01H
31a		Filter Rack Side Cover	AE-107100-01H	AE-107100-01H	AE-107100-01H	AE-107100-01H
		Filter (4)	54-107027-02	54-107027-02	54-107027-02	54-107027-02
32		Bulkhead	AE-106858-01	AE-106858-01	AE-106858-01	AE-106858-01
32a		Bulkhead Insulation	68-106874-01	68-106874-01	68-106874-01	68-106874-01
33b		Coil Mount (2)	AE-106121-01H	AE-106121-01H	AE-106121-01H	AE-106121-01H
33c		Compressor Box Bracket	10-106871-01	10-106871-01	10-106871-01	10-106871-01

No.	Notes	MODEL COOLING CAPACITY MAJOR DESIGN VARIATION ELECTRICAL DESIGNATION	EMRHRX 042 A N	EMRHRX 054 A N	EMRHRX 066 A N	EMRHRX 078 A N
<b>ELECTRICAL GROUP</b>						
CONTROL BOX COMPONENTS:						
39		Terminal Strip	45-23591-01	45-23591-01	45-23591-01	45-23591-01
40	Stk	Transformer	46-23115-06	46-23115-06	46-23115-06	46-23115-06
42	Stk	Relay	42-19736-02	42-19736-02	42-19736-02	42-19736-02
		Wiring Harness - 6 pin to heater kit	45-104222-01	45-104222-01	45-104222-01	45-104222-01
46	Stk	Contactora	42-102664-08	42-102664-08	42-102664-08	42-102664-08
48	Stk	Capacitor - Fan Motor	See Compressor Group			

No.	Notes	MODEL COOLING CAPACITY MAJOR DESIGN VARIATION ELECTRICAL DESIGNATION	EMRHRX 060 A V	EMRHRX 066 A V	EMRHRX 072 A V	
<b>ELECTRICAL GROUP</b>						
CONTROL BOX COMPONENTS:						
39		Terminal Strip	45-23591-01	45-23591-01	45-23591-01	
40	Stk	Transformer	46-23115-06	46-23115-06	46-23115-06	
42	Stk	Relay	42-19736-02	42-19736-02	42-19736-02	
		Wiring Harness - 6 pin to heater kit	45-104222-01	45-104222-01	45-104222-01	
46	Stk	Contactora	42-102664-08	42-102664-08	42-102664-08	
48	Stk	Capacitor - Fan Motor	See Compressor Group			

No.	Notes	MODEL COOLING CAPACITY MAJOR DESIGN VARIATION ELECTRICAL DESIGNATION	EMRHRX 096 A V	EMRHRX 102 A N	EMRHRX 120 A N	EMRHRX 120 A V
<b>ELECTRICAL GROUP</b>						
CONTROL BOX COMPONENTS:						
38a		Contactora 30a - 3 Pole Three Phase	42-102664-08	42-102664-08	42-102664-08	42-102664-08
38b		Contactora 40a - 3 Pole Three Phase	42-102664-12	42-102664-12	42-102664-12	42-102664-12
38c		Contactora 30a - 2 Pole Single Phase	42-102664-27	42-102664-27	42-102664-27	42-102664-27
38d		Ground Lug	45-19000-02	45-19000-02	45-19000-02	45-19000-02
39		Terminal Block	45-23222-03	45-23222-03	45-23222-03	45-23222-03
40	Stk	Transformer	46-42515-07	46-42515-07	46-42515-07	46-42515-07
		Wiring Harness - Outdoor Motor	45-106065-02	45-106065-02	45-106065-02	45-106065-02
		Wiring Harness - Outdoor Motor	45-106065-06	45-106065-06	45-106065-06	45-106065-06
		Wiring Harness - Outdoor Motor	45-106065-07	45-106065-07	45-106065-07	45-106065-07
41		Time Delay	42-22655-02	42-22655-02	42-22655-02	42-22655-02
48	Stk	Capacitor - Fan Motor	See Compressor Group			

No.	Notes	MODEL COOLING CAPACITY MAJOR DESIGN VARIATION ELECTRICAL DESIGNATION	EMRHRX	EMRHRX	EMRHRX	EMRHRX
			042 A N	054 A N	066 A N	078 A N
<b>FAN GROUP</b>						
26	Stk	Fan Motor	51-100998-36	51-100998-36	51-106944-01	51-106944-03
26a		Mounting Screws (Fan Motor to Grille) (4)	63-100404-01	63-100404-01	63-100404-01	63-100404-01
27	Stk	Fan Blade	70-102011-09	70-102345-01	70-102345-01	70-102345-01
48		Capacitor - Fan Motor	See Compressor Group			

No.	Notes	MODEL COOLING CAPACITY MAJOR DESIGN VARIATION ELECTRICAL DESIGNATION	EMRHRX	EMRHRX	EMRHRX	
			060 A V	066 A V	072 A V	
<b>FAN GROUP</b>						
26	Stk	Fan Motor	N/A	51-105664-12	N/A	
26	Stk	Fan Motor - Includes Outdoor Fan Control (OFC)	51-105664-12	N/A	51-106944-02	
26a		Mounting Screws (Fan Motor to Grille) (4)	63-100404-01	63-100404-01	63-100404-01	
27	Stk	Fan Blade	70-102345-01	70-102345-01	70-101323-30	
48		Capacitor - Fan Motor	See Compressor Group			

No.	Notes	MODEL COOLING CAPACITY MAJOR DESIGN VARIATION ELECTRICAL DESIGNATION	EMRHRX	EMRHRX	EMRHRX	EMRHRX
			096 A V	102 A N	120 A N	120 A V
<b>FAN GROUP</b>						
26	Stk	Fan Motor (2)	51-101774-59	51-42534-39	51-101774-60	51-105665-31
26a		Mounting Screws (Fan Motor to Grille) (4)	63-100404-01	63-100404-01	63-100404-01	63-100404-01
27	Stk	Fan Blade (2)	70-42572-04	70-42572-04	70-101323-22	70-42572-04
48		Capacitor - Fan Motor	See Compressor Group			



No.	Notes	MODEL COOLING CAPACITY MAJOR DESIGN VARIATION ELECTRICAL DESIGNATION	EMRHRX	EMRHRX	EMRHRX	EMRHRX
			042 A N	054 A N	066 A N	078 A N
<b>BLOWER GROUP</b>						
	Stk	Blower Assembly	AS-100841-25	AS-100841-24	AS-100841-22	AS-100841-28
51		Blower Housing w/Wheel	70-100840-02	70-100840-02	70-100840-02	70-100840-02
51c	Stk	Blower Wheel	703016	703016	703016	703016
52		Motor Band	70-19927-03	70-19927-03	70-19927-03	70-19927-03
53		Blower Arm Assembly (3)	70-19929-09	70-19929-09	70-19929-09	70-19929-09
54	Stk	Blower Motor - X-13	51-103253-12	51-103624-13	51-103624-11	51-103624-18

No.	Notes	MODEL COOLING CAPACITY MAJOR DESIGN VARIATION ELECTRICAL DESIGNATION	EMRHRX	EMRHRX	EMRHRX	
			060 A V	066 A V	072 A V	
<b>BLOWER GROUP</b>						
	Stk	Blower Assembly	AS-100841-26	AS-100841-23	AS-100841-27	
51		Blower Housing w/Wheel	70-100840-02	70-100840-02	70-100840-02	
51c	Stk	Blower Wheel	703016	703016	703016	
52		Motor Band	70-19927-03	70-19927-03	70-19927-03	
53		Blower Arm Assembly (3)	70-19929-09	70-19929-09	70-19929-09	
54	Stk	Blower Motor - X-13	51-103624-14	51-103624-12	51-103624-15	

No.	Notes	MODEL COOLING CAPACITY MAJOR DESIGN VARIATION ELECTRICAL DESIGNATION	EMRHRX	EMRHRX	EMRHRX	EMRHRX
			096 A V	102 A N	120 A N	120 A V
<b>BLOWER GROUP</b>						
51		Blower Housing w/Wheel	70-106090-01	70-106090-01	70-106090-01	70-106090-01
51a		Sheave	71-104627-23	71-104627-22	71-104627-21	71-104627-22
51b		"H" Bushing	71-104629-02	71-104629-02	71-104629-02	71-104629-02
51c	Stk	Blower Wheel	70-42540-02	70-42540-02	70-42540-02	70-42540-02
51d		Bearing Frame Tri-Arm (2)	70-42540-05	70-42540-05	70-42540-05	70-42540-05
51e		Bearing with Bearing Lock (2)	70-41854-02	70-41854-02	70-41854-02	70-41854-02
51f		Blower Shaft	PD706271	PD706271	PD706271	PD706271
54	Stk	Blower Motor	See Blower Motor Group			

No.	Notes	MODEL COOLING CAPACITY MAJOR DESIGN VARIATION ELECTRICAL DESIGNATION	EMRHRX	EMRHRX	EMRHRX	EMRHRX
			096 A V	102 A N	120 A N	120 A V
<b>BLOWER GROUP</b>						
		MOTOR ASSEMBLY COMPONENTS				
55a		Motor Plate Bracket (2)	10-106851-01	10-106851-01	10-106851-01	10-106851-01
55b		Motor Mount Plate	10-106884-01	10-106884-01	10-106884-01	10-106884-01
54		Motor - Belt Drive	51-42536-03	51-42537-06	51-42537-06	51-42536-03
55d		"J" Bolt (2)	63-42089-02	63-42089-02	63-42089-02	63-42089-02
55e		Sheave	71-104625-18	71-104625-16	71-104625-16	71-104625-16
		"V" Belt	71-40235-58	71-40235-59	71-40235-57	71-40235-58

No.	Notes	MODEL COOLING CAPACITY MAJOR DESIGN VARIATION ELECTRICAL DESIGNATION	EMRHRX	EMRHRX	EMRHRX	EMRHRX
			042 A N	054 A N	066 A N	078 A N
<b>COIL GROUP</b>						
<b>CONDENSER COIL:</b>						
32	Stk	Condenser Coil (Outdoor Coil)	AS-106760-03	AS-106760-03	AS-106760-03	AS-107138-01
<b>EVAPORATOR COIL:</b>						
33	Stk	Evaporator Coil (Indoor Coil)	AS-100792-22	AS-100792-22	AS-100792-22	AS-107136-01
7		Drain Pan - Evaporator Coil	See Panels - Miscellaneous			
35	Stk	TXV	61-102211-47	61-102211-46	61-102211-43	61-102211-49
35a		TXV Bulb Strap Kit	64-101357-01	64-101357-01	64-101357-01	64-101357-01
		Draintrap Assembly	68-100846-02	68-100846-02	68-100846-02	68-100846-02
<b>REFRIGERATION GROUP:</b>						
50a		Bulkhead Valve Assembly (2) (Bulkhead Valve Tube and Valve Body)	61-101821-02	61-101821-02	61-101821-02	61-101821-02
50b		Gaugeport Manifold - Valve Body (2)	61-22369-04	61-22369-04	61-22369-04	61-22369-04
50b		Gaugeport Manifold - Valve Core (2)	61-18551-01	61-18551-01	61-18551-01	61-18551-01
		Low Pressure Control	47-102240-02	47-102240-02	47-102240-02	47-102240-02
		High Pressure Control	47-102431-03	47-102431-03	47-102431-03	47-102290-01
50e		Filter Drier	83-22755-06	83-22755-06	83-22755-06	83-22755-06
50f		Filter Drier Strap	AE-102132-01	AE-102132-01	AE-102132-01	AE-102132-01

No.	Notes	MODEL COOLING CAPACITY MAJOR DESIGN VARIATION ELECTRICAL DESIGNATION	EMRHRX	EMRHRX	EMRHRX	
			060 A V	066 A V	072 A V	
<b>COIL GROUP</b>						
<b>CONDENSER COIL:</b>						
32	Stk	Condenser Coil (Outdoor Coil)	AS-106760-03	AS-106760-03	AS-106760-03	
<b>EVAPORATOR COIL:</b>						
33	Stk	Evaporator Coil (Indoor Coil)	AS-100792-22	AS-100792-22	AS-100792-22	
7		Drain Pan - Evaporator Coil	See Panels - Miscellaneous			
35	Stk	TXV	61-102211-43	61-102211-45	61-102211-44	
35a		TXV Bulb Strap Kit	64-101357-01	64-101357-01	64-101357-01	
		Draintrap Assembly	68-100846-02	68-100846-02	68-100846-02	
<b>REFRIGERATION GROUP:</b>						
50a		Bulkhead Valve Assembly (2) (Bulkhead Valve Tube and Valve Body)	61-101821-02	61-101821-02	61-101821-02	
50b		Gaugeport Manifold - Valve Body (2)	61-22369-04	61-22369-04	61-22369-04	
50b		Gaugeport Manifold - Valve Core (2)	61-18551-01	61-18551-01	61-18551-01	
		Low Pressure Control	47-102240-02	47-102240-02	47-102240-02	
		High Pressure Control	47-102431-03	47-102431-03	47-102431-03	
50e		Filter Drier	83-22755-06	83-22755-06	83-22755-06	
50f		Filter Drier Strap	AE-102132-01	AE-102132-01	AE-102132-01	

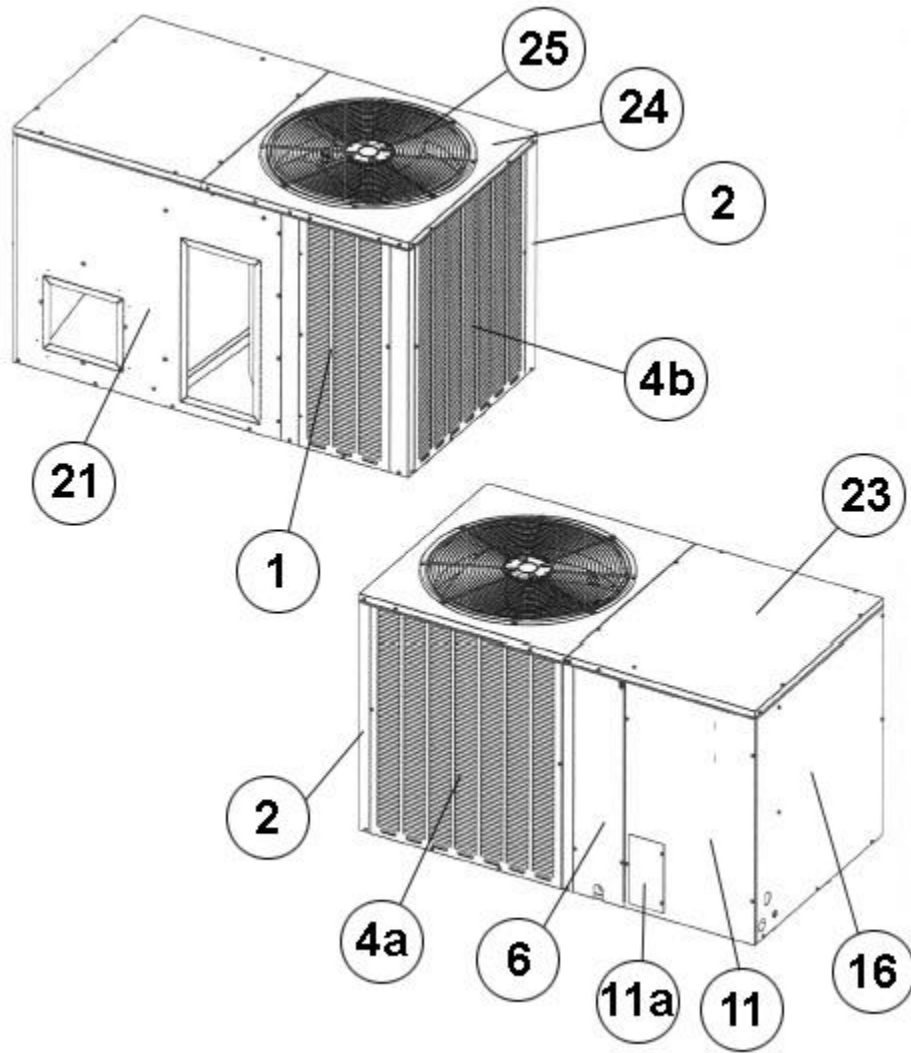
No.	Notes	MODEL COOLING CAPACITY MAJOR DESIGN VARIATION ELECTRICAL DESIGNATION	EMRHRX	EMRHRX	EMRHRX	EMRHRX
			096 A V	102 A N	120 A N	120 A V
<b>COIL GROUP</b>						
<b>CONDENSER COIL:</b>						
33	Stk	Condenser Coil (Outdoor Coil)	AS-106898-01	AS-107026-01	AS-106853-01	AS-106853-01
33a		Condenser Coil Sponge Gasket	68-25324-06	68-25324-06	68-25324-06	68-25324-06
33c		Coil Pad (4)	68-104248-05	68-104248-05	68-104248-05	68-104248-05
<b>EVAPORATOR COIL:</b>						
34	Stk	Evaporator Coil (Indoor Coil)	AS-106899-01	AS-106864-01	AS-106864-01	AS-106864-01
8		Drain Pan - Evaporator Coil	See Panels - Miscellaneous			
35	Stk	TXV	61-106093-15	61-106093-16	61-106093-10	61-106093-12
		TXV Bulb Strap Kit	64-101357-01	64-101357-01	64-101357-01	64-101357-01
<b>REFRIGERATION GROUP:</b>						
50		Valve Body - Fas Test (2)	61-106117-01	61-106117-01	61-106117-01	61-106117-01
50a		Valve Core - Fas Test Coremax (2)	61-106118-01	61-106118-01	61-106118-01	61-106118-01
50b		Valve Body	61-18542-01	61-18542-01	61-18542-01	61-18542-01
50c		Valve Core	61-18551-01	61-18551-01	61-18551-01	61-18551-01
		Access Valve Cap (3)	83-100635-01	83-100635-01	83-100635-01	83-100635-01
50d		Low Pressure Control	47-101529-09	47-101529-09	47-101529-09	47-101529-09
50g		High Pressure Control	47-103669-02	47-103669-02	47-103669-02	47-103669-02
50e		Filter Drier	83-22755-23	83-22755-23	83-22755-23	83-22755-23
50f		Filter Drier Strap	AE-102132-01	AE-102132-01	AE-102132-01	AE-102132-01

No.	Notes	MODEL	EMRHRX	EMRHRX	EMRHRX	EMRHRX
		COOLING CAPACITY	042	054	066	078
		MAJOR DESIGN VARIATION	A	A	A	A
		ELECTRICAL DESIGNATION	N	N	N	N
<b>COMPRESSOR GROUP</b>						
		<b>Compressor ID:</b>	<b>9451</b>	<b>9450</b>	<b>9443</b>	<b>9534</b>
31	Stk	Compressor	55-102045-137	55-102471-39	55-102471-22	55-102045-159
48	Stk	Run Capacitor - Fan	43-101666-64	43-101666-64	N/A	N/A
55	Stk	Compressor Wiring Harness (Molded Plug)	45-100834-80	45-100834-80	45-100834-80	45-100834-80

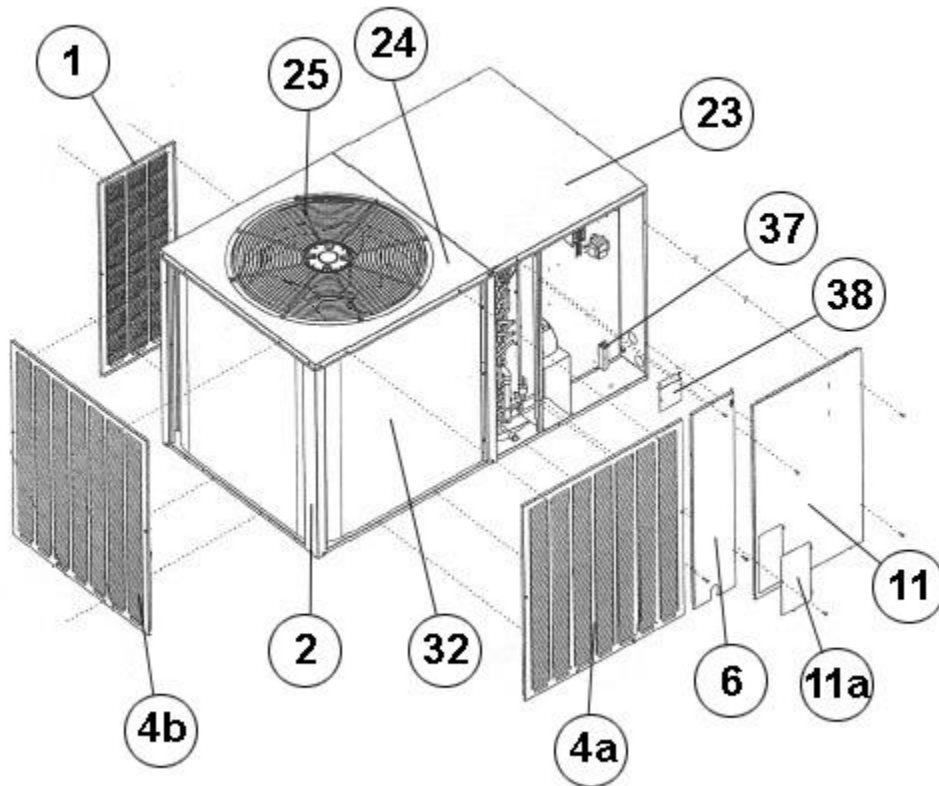
No.	Notes	MODEL	EMRHRX	EMRHRX	EMRHRX	
		COOLING CAPACITY	060	066	072	
		MAJOR DESIGN VARIATION	A	A	A	
		ELECTRICAL DESIGNATION	V	V	V	
<b>COMPRESSOR GROUP</b>						
		<b>Compressor ID:</b>	<b>9458</b>	<b>9449</b>	<b>9459</b>	
31	Stk	Compressor	55-102045-168	55-102471-38	55-102471-40	
48	Stk	Run Capacitor - Fan	43-101666-60	43-101666-60	N/A	
	Stk	Compressor Wiring Harness (Molded Plug)	45-100834-80	45-100834-80	45-100834-80	

No.	Notes	MODEL	EMRHRX	EMRHRX	EMRHRX	EMRHRX
		COOLING CAPACITY	096	102	120	120
		MAJOR DESIGN VARIATION	A	A	A	A
		ELECTRICAL DESIGNATION	V	N	N	V
<b>COMPRESSOR GROUP</b>						
		<b>Compressor ID:</b>	<b>9509</b>	<b>9508</b>	<b>9499</b>	<b>9500</b>
31	Stk	Compressor	55-23156-23	55-102471-27	55-102471-41	55-102471-33
48	Stk	Run Capacitor - Fan (2)	43-100496-12	43-100496-12	43-100496-12	43-100496-12
	Stk	Compressor Wiring Harness (Molded Plug)	45-100834-80	45-100834-80	45-100834-80	45-100834-80

No.	Notes	MODEL COOLING CAPACITY MAJOR DESIGN VARIATION ELECTRICAL DESIGNATION	EMRHRX ALL ALL ALL		
<b>ACCESSORIES</b>					
		Outdoor Thermostat	RXPT-A01		

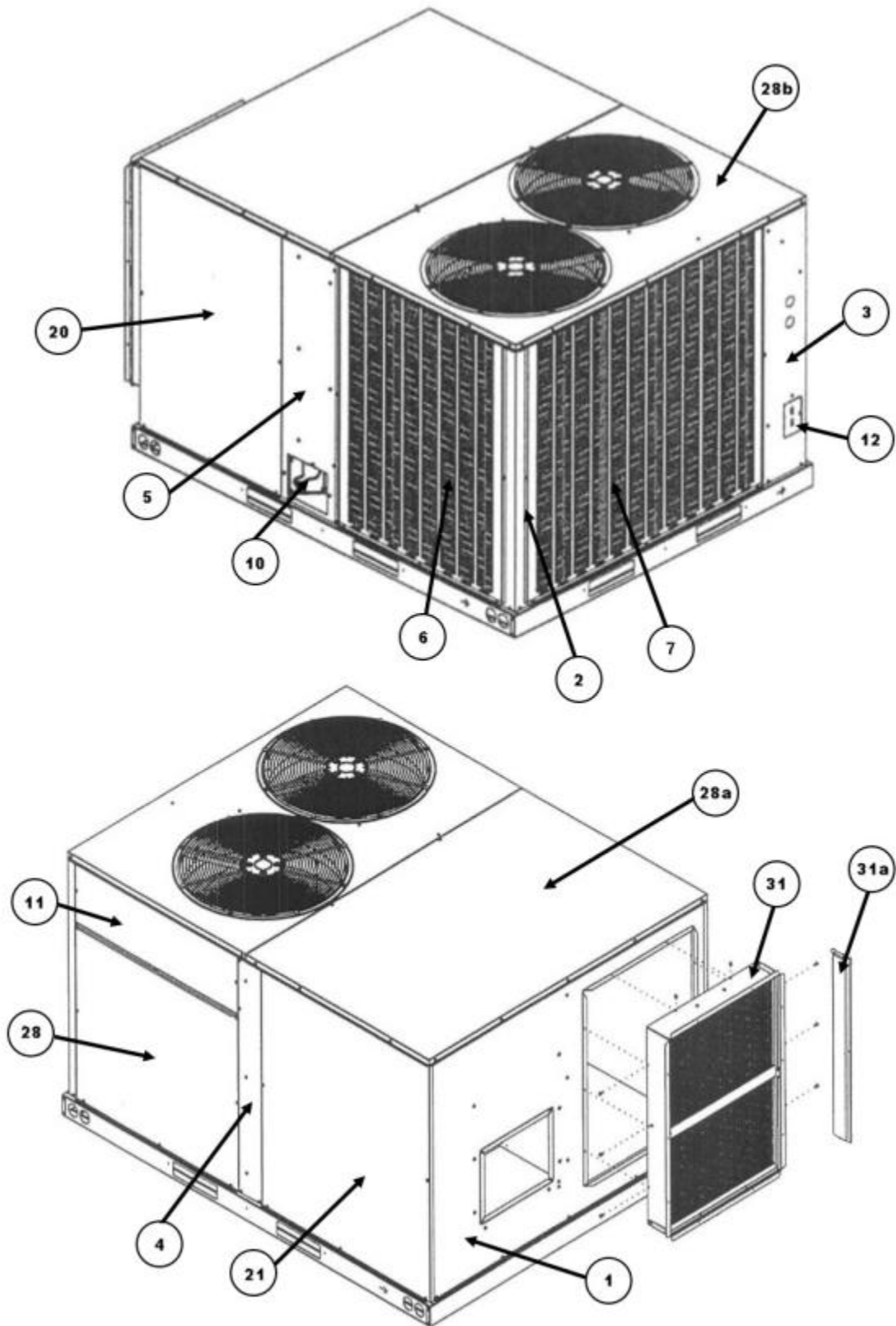


Outside Cabinet 042-078 (1)

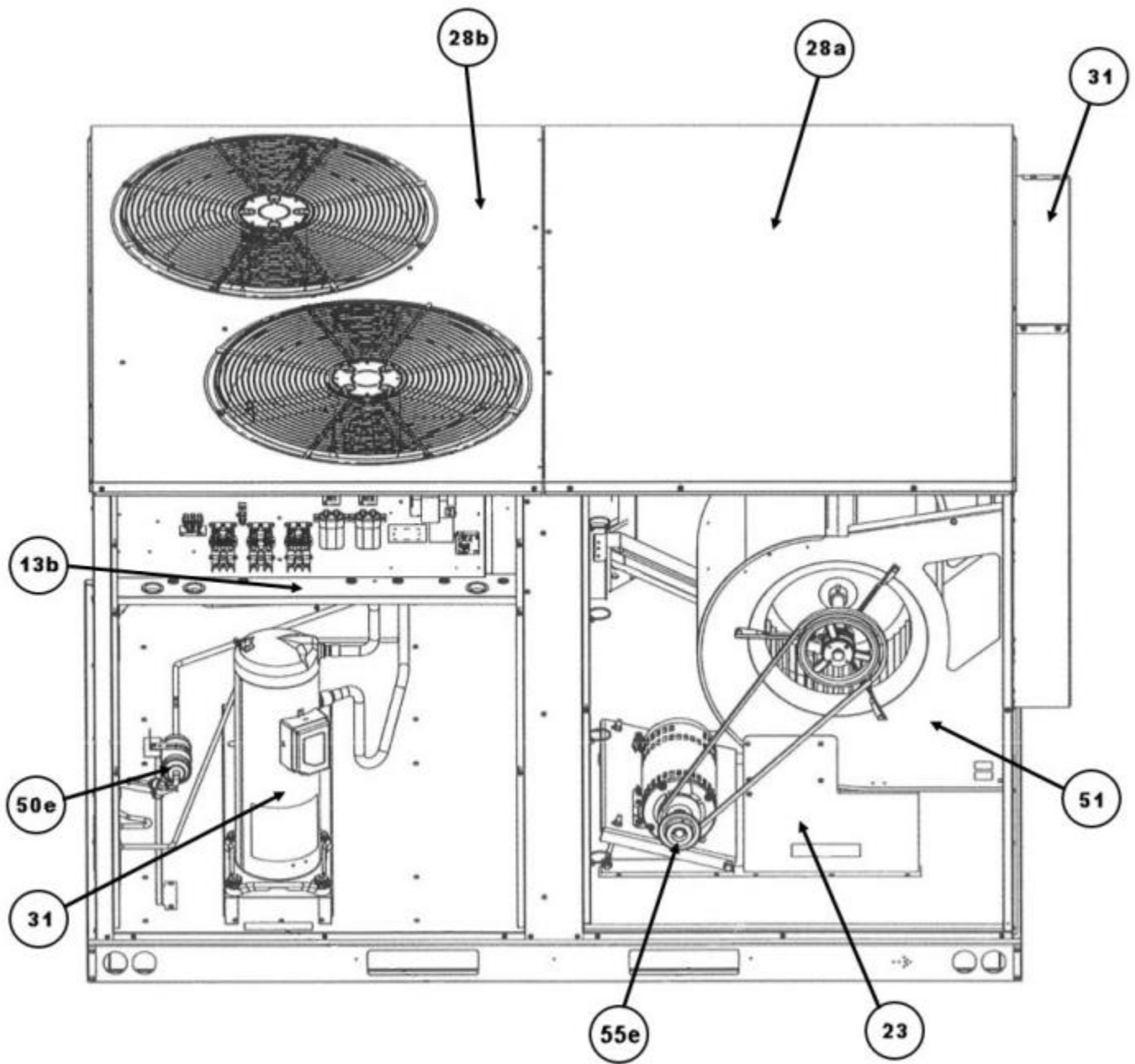


Outside Cabinet 042-078 (2)

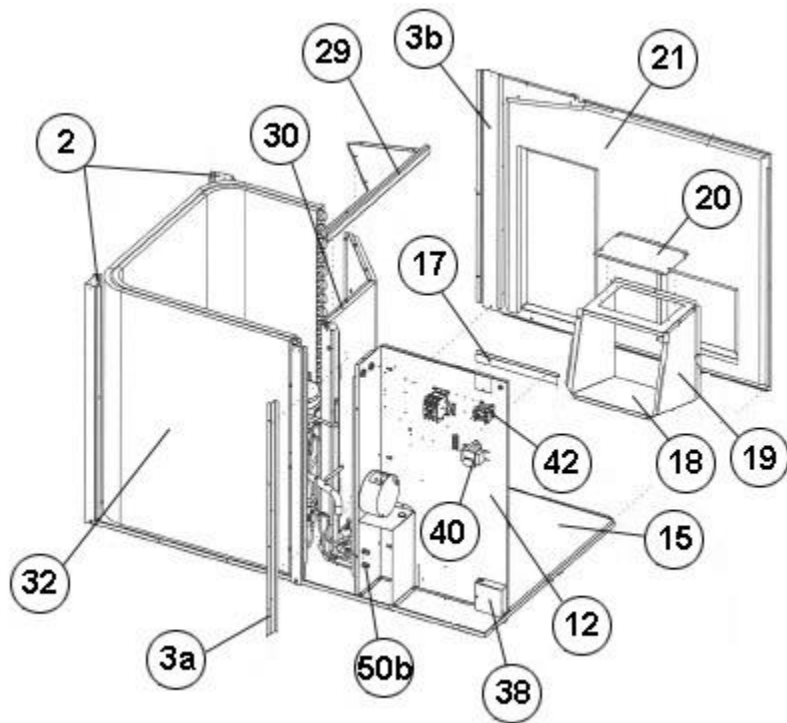




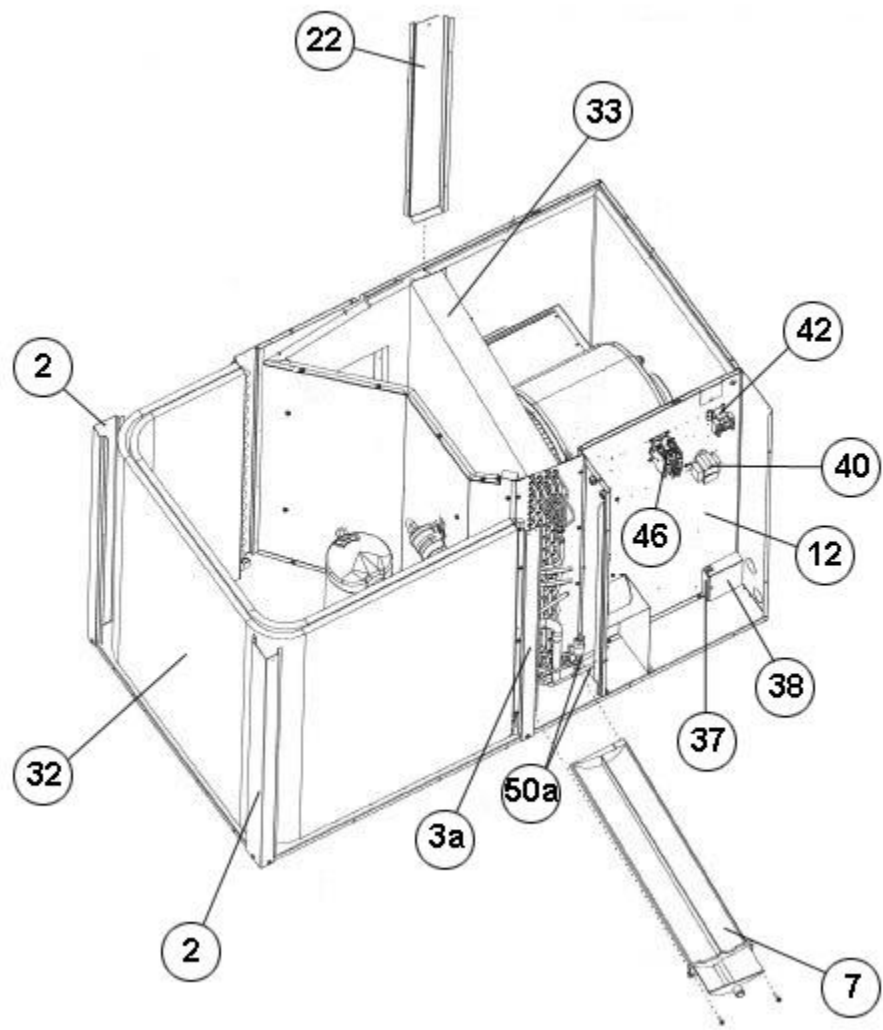
Outside Cabinet View 096-120 (1)



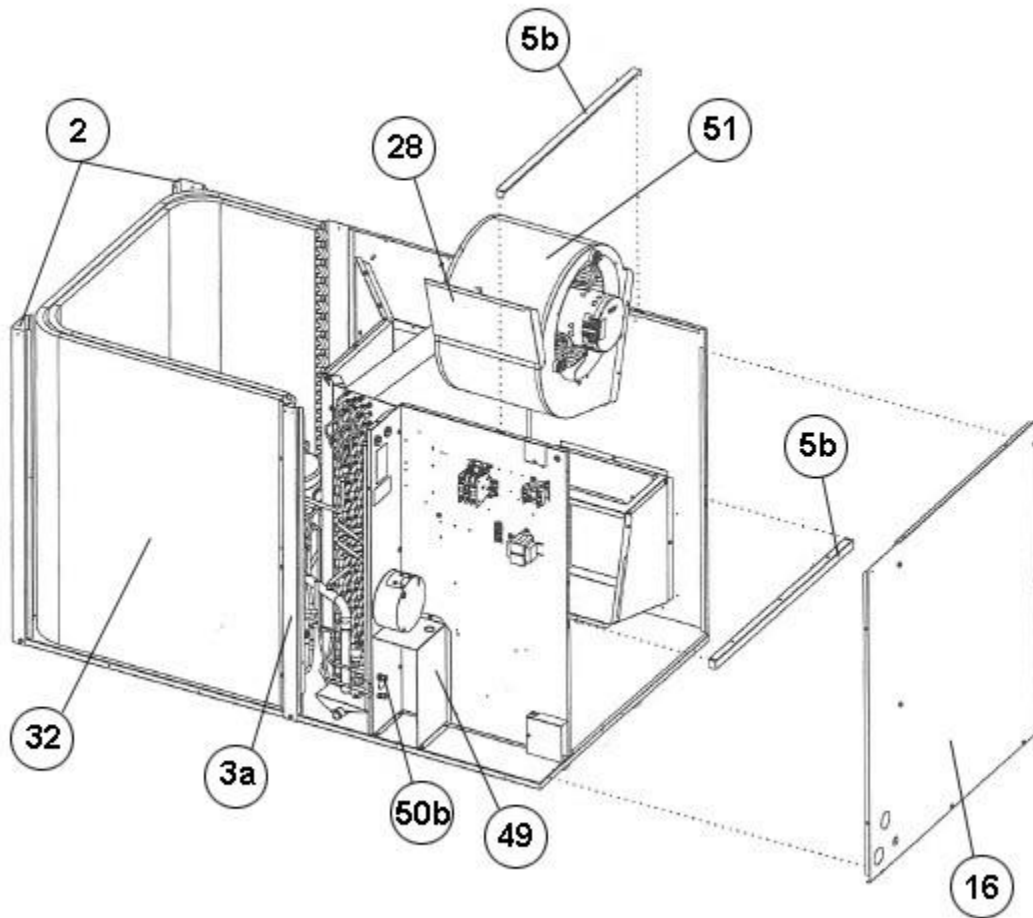
Outside Cabinet View 096-120 (2)



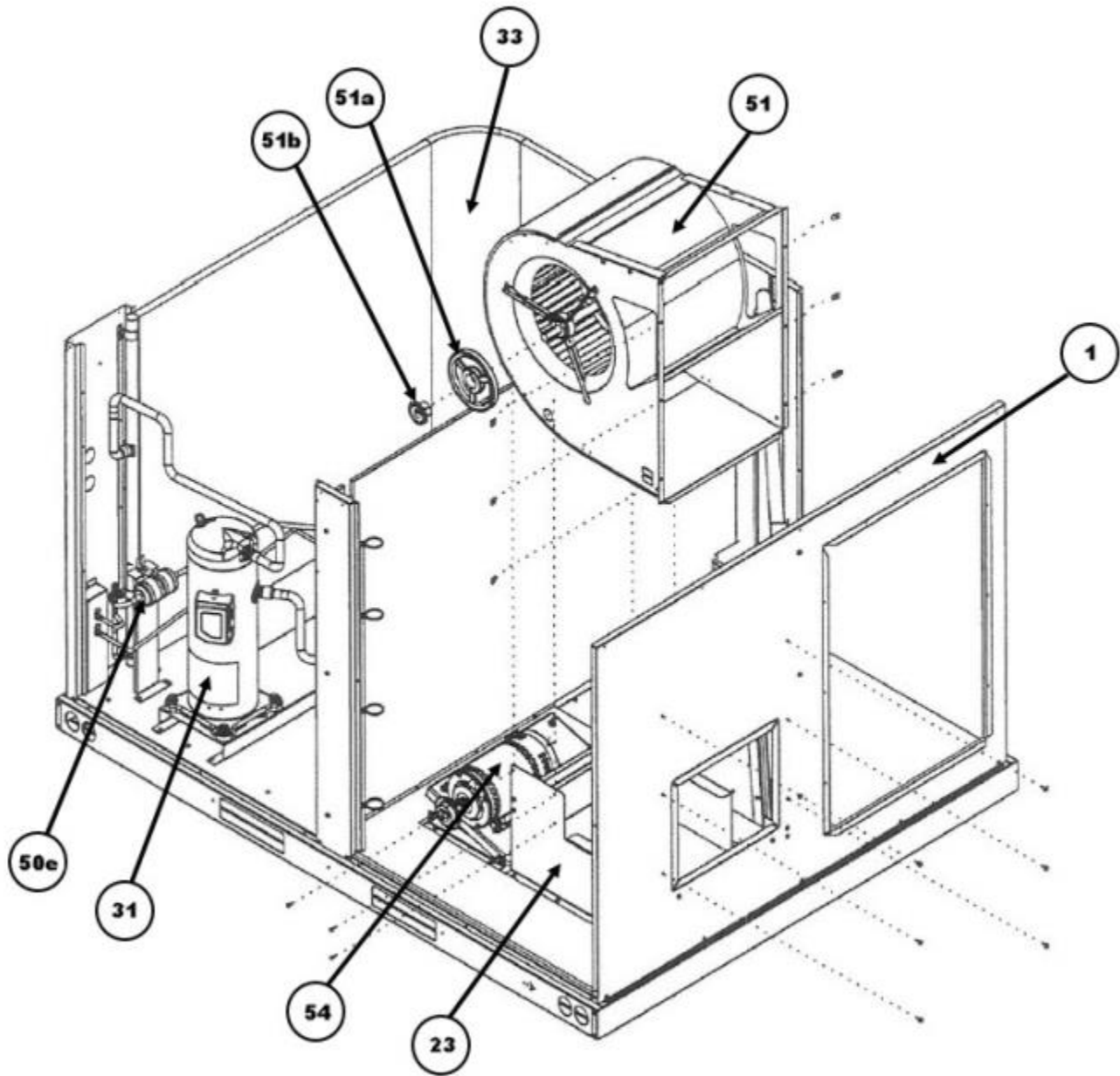
Interior Assembly 042-078 (1)



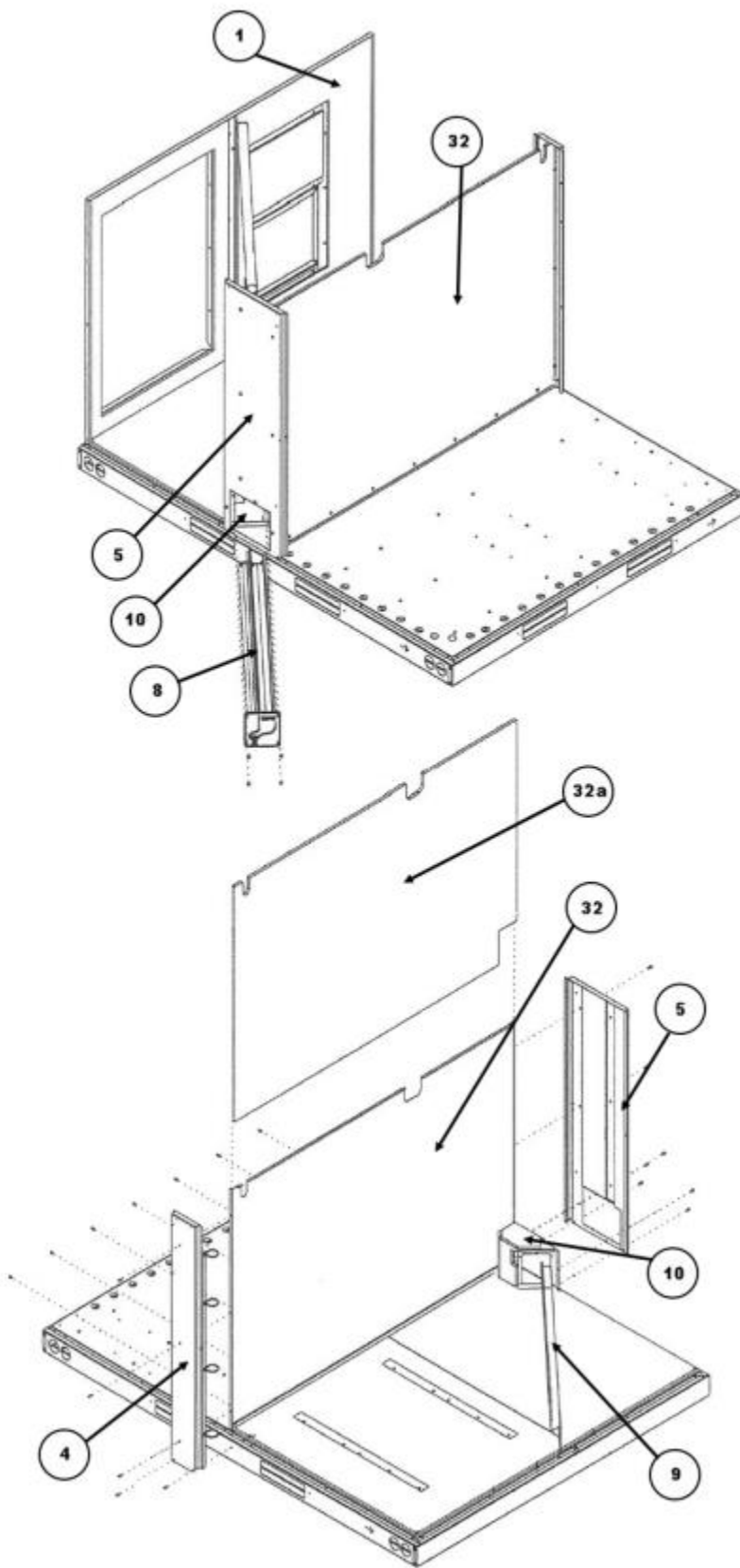
Interior Assembly 042-078(2)



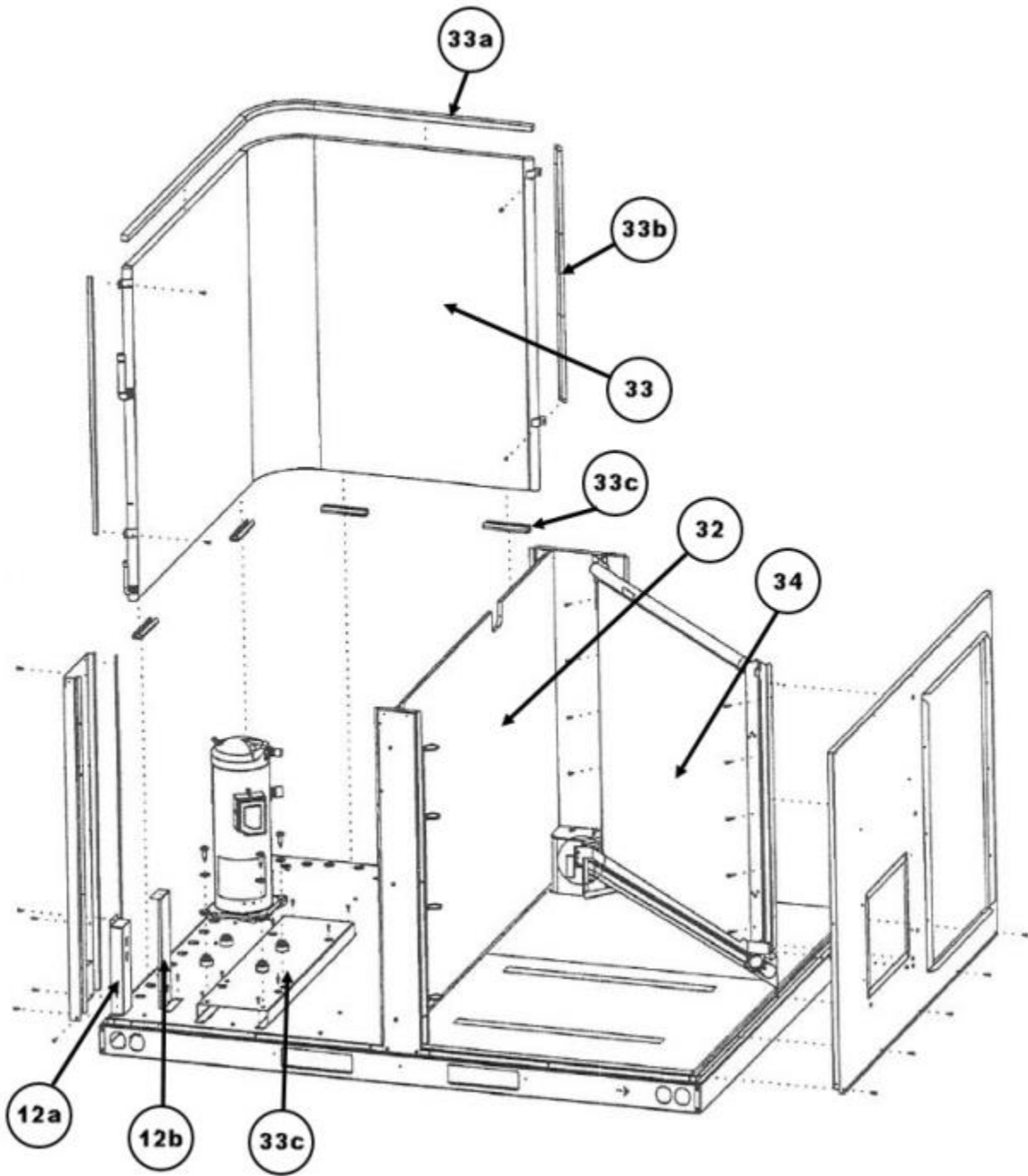
Interior Assembly 042-078 (3)



Interior Assembly 096-120 (1)

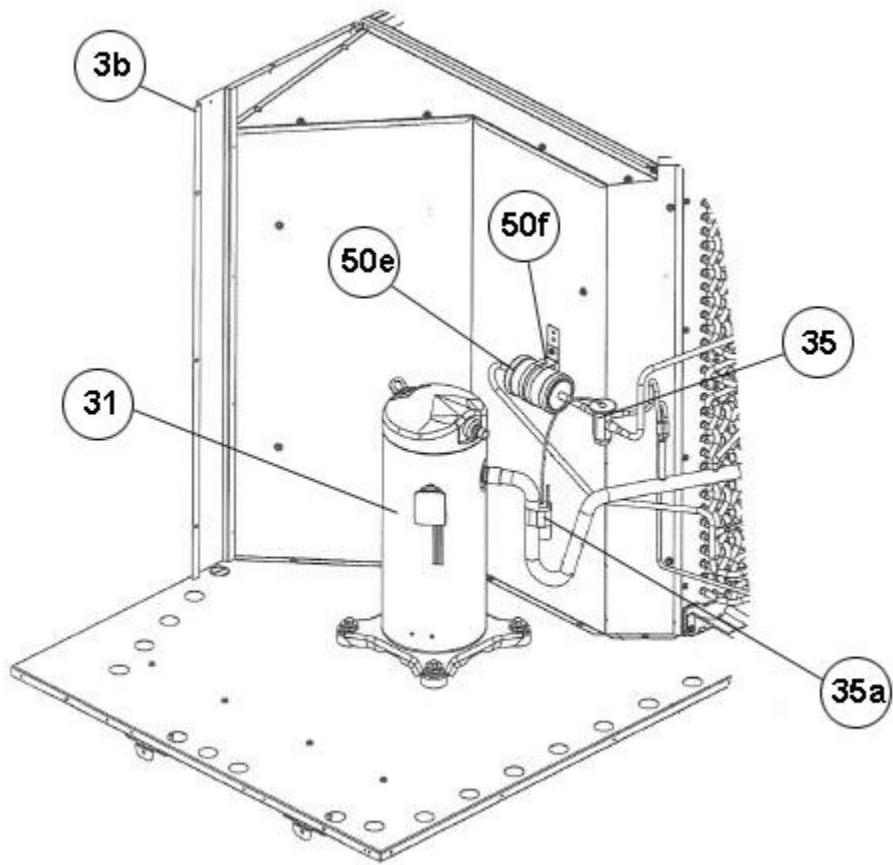


Interior Assembly 096-120 (2)

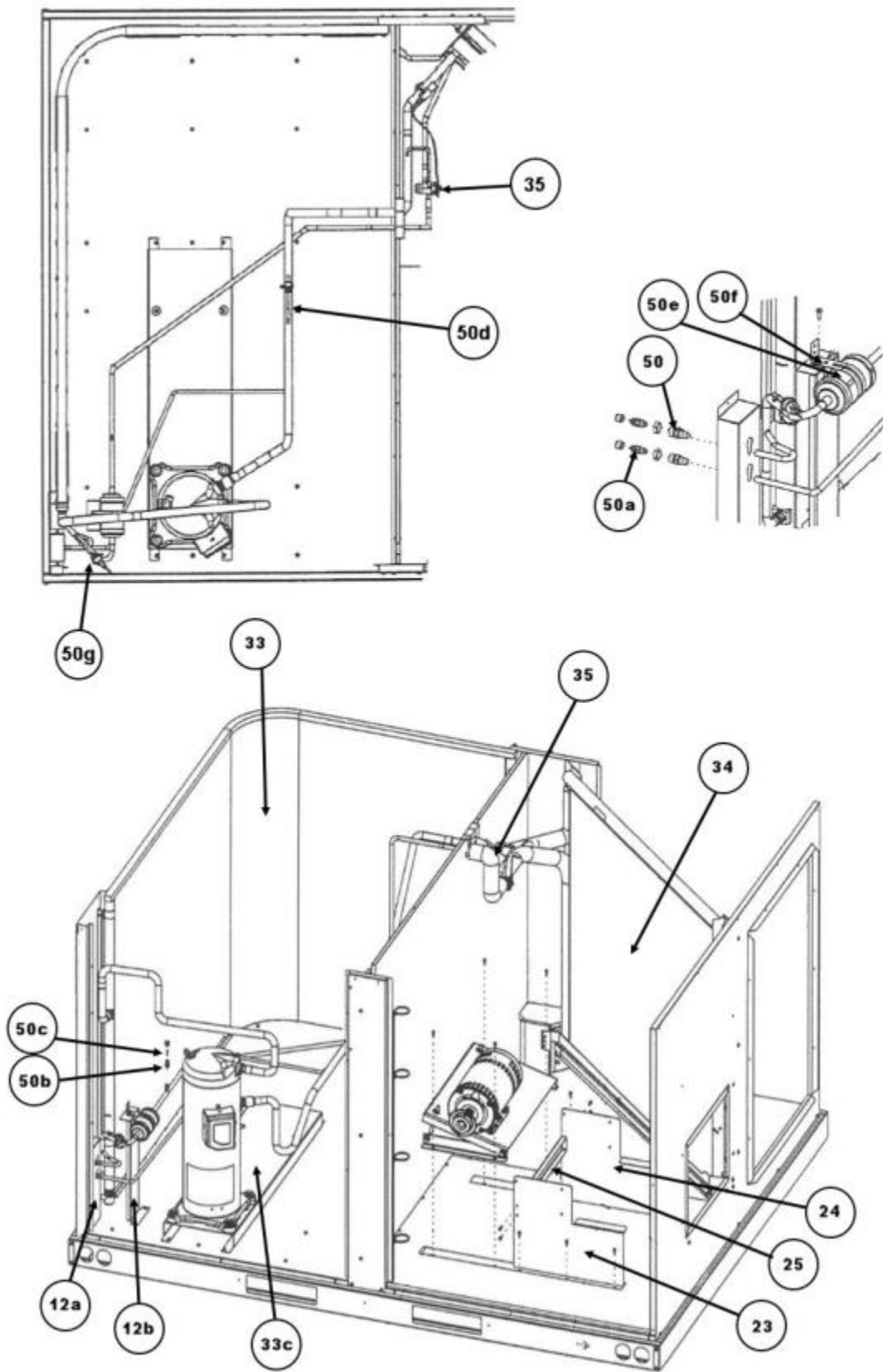


Interior Assembly 096-120 (3)

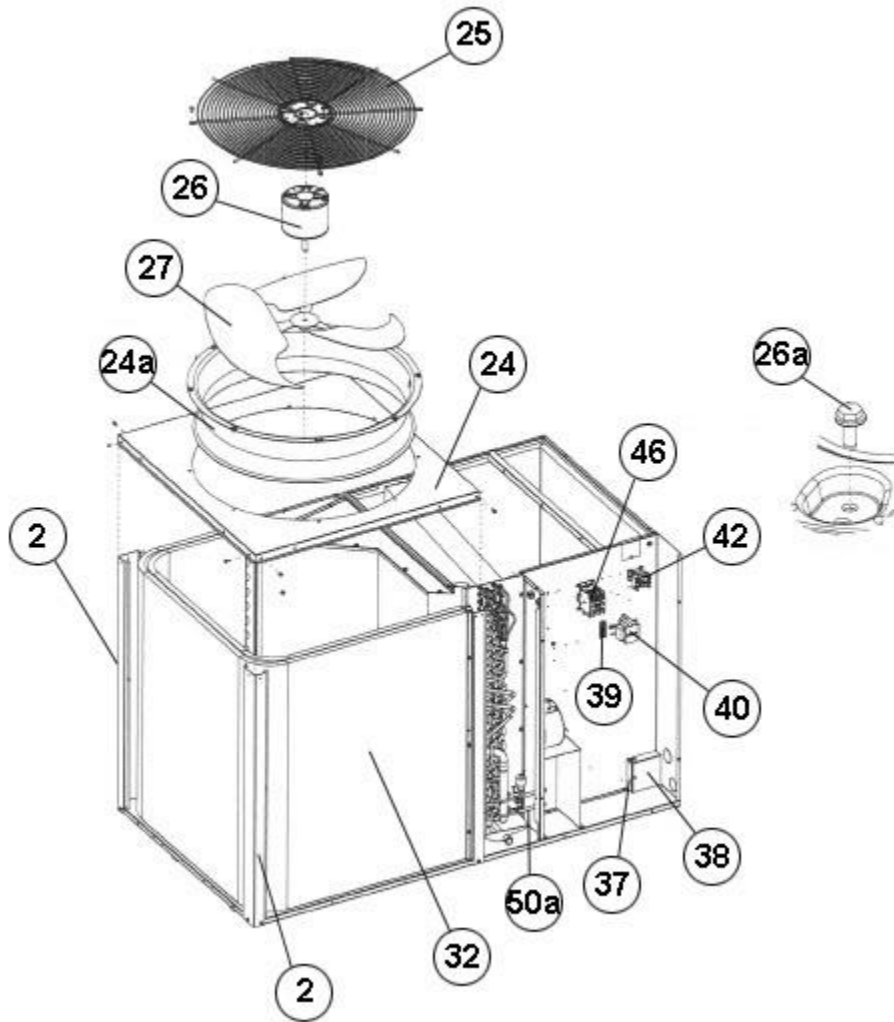




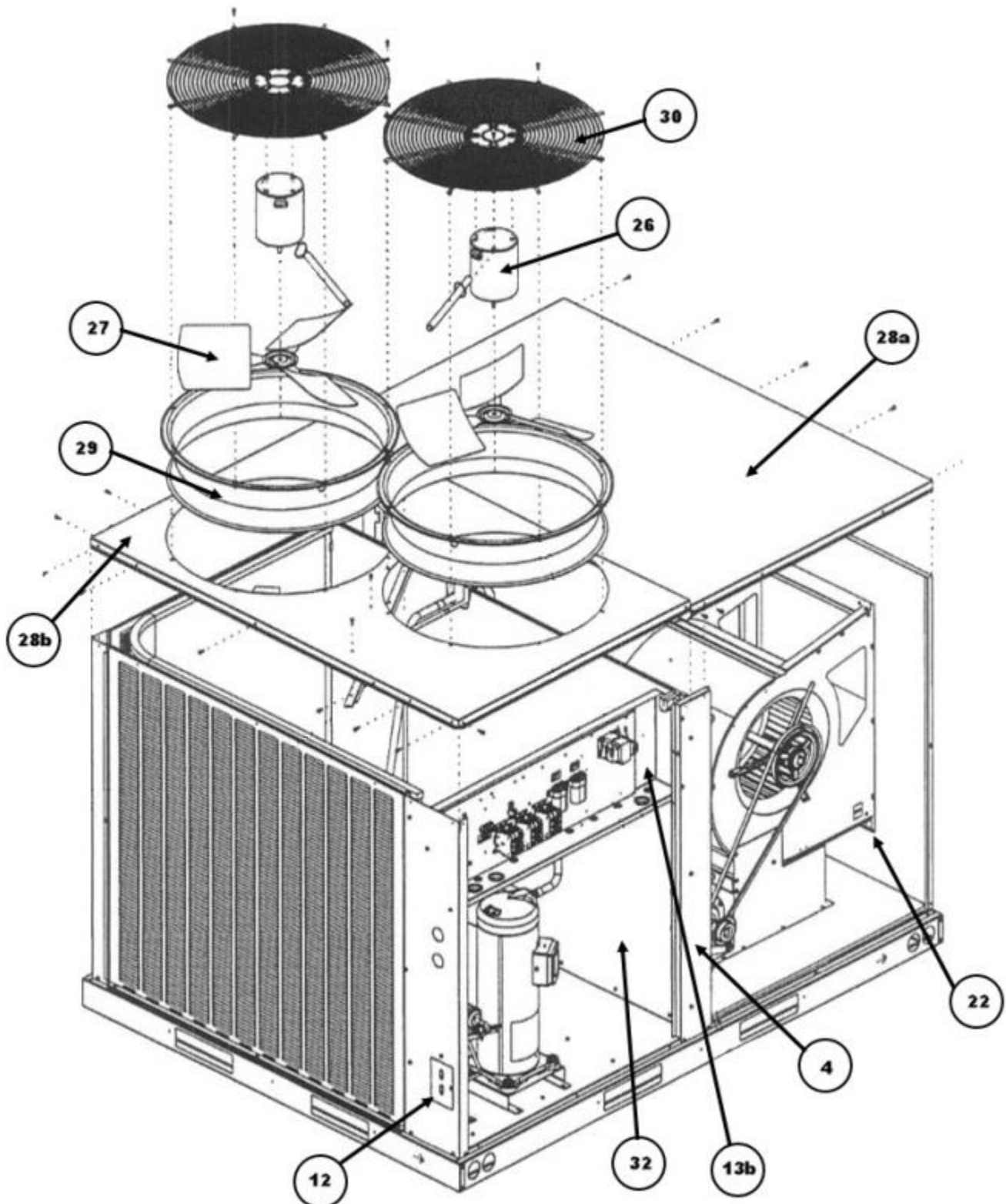
Compressor Assembly 042-078



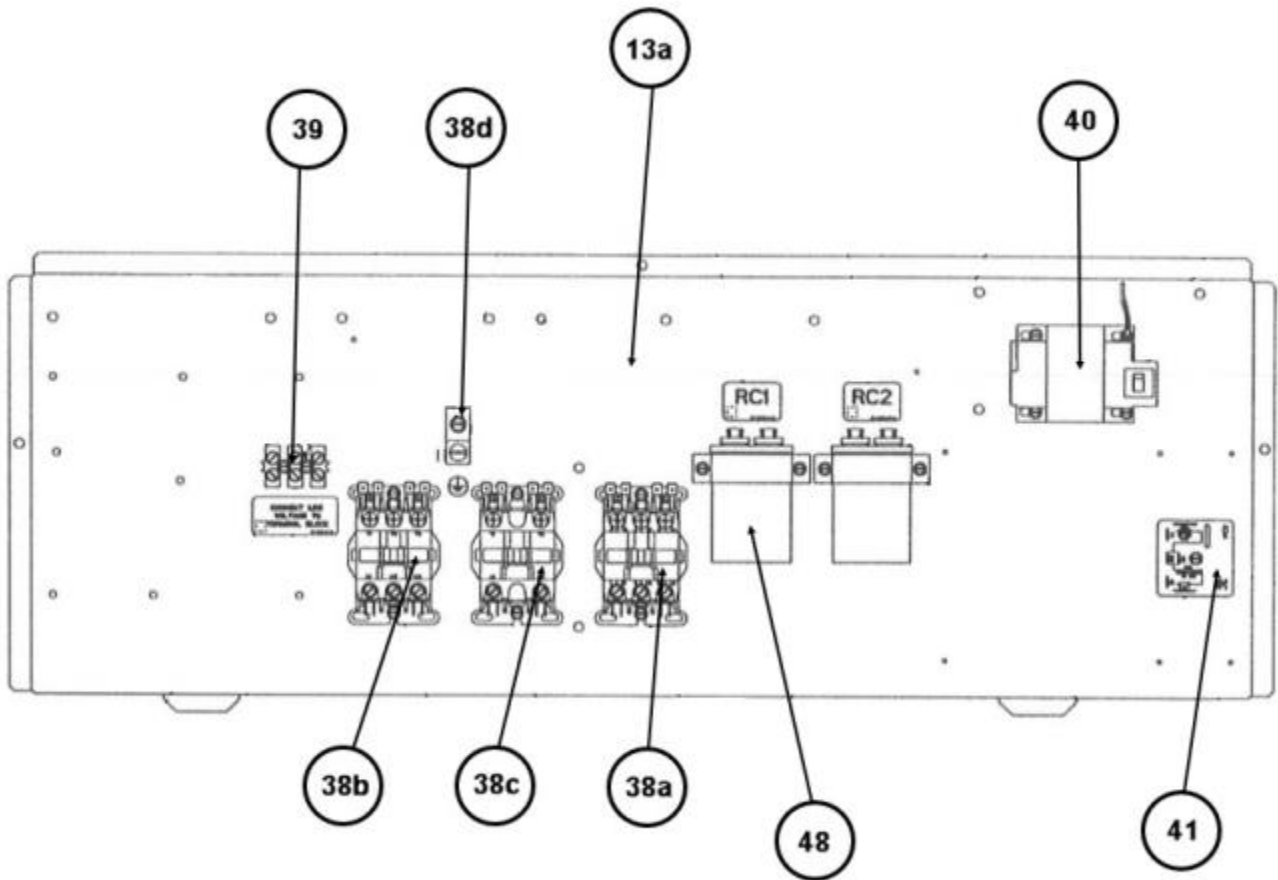
Compressor Assembly 096-120



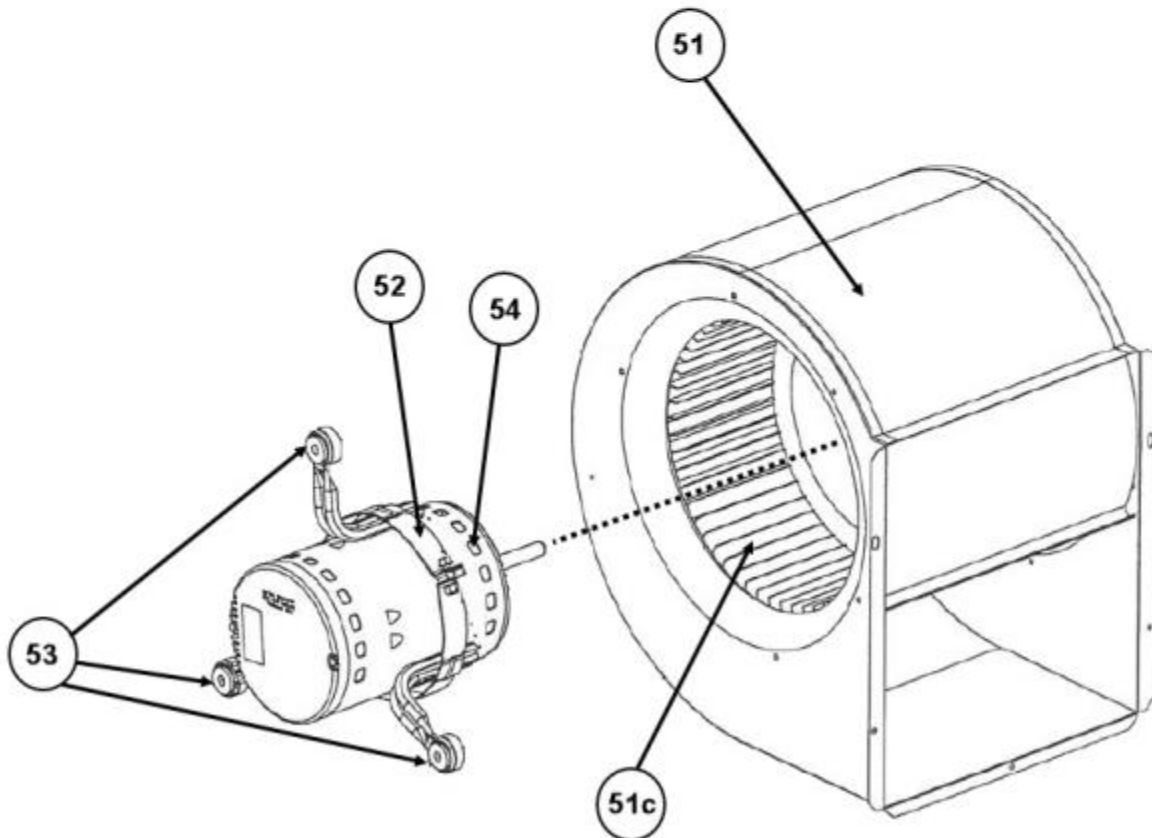
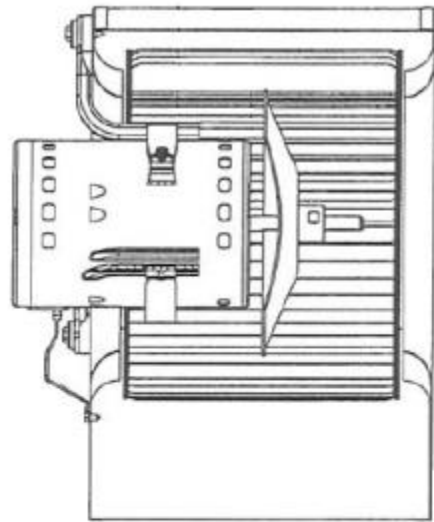
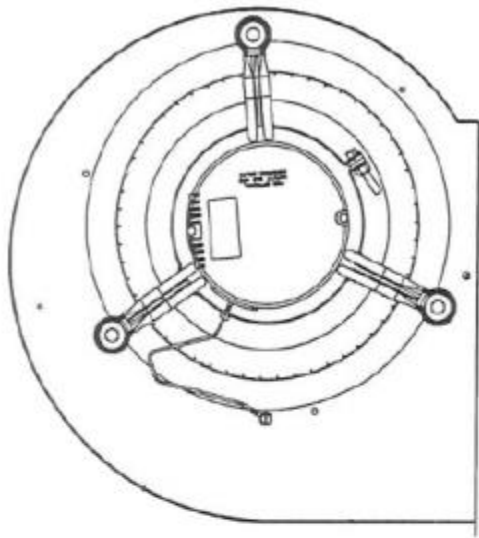
Fan Assembly - Control Box 042-078



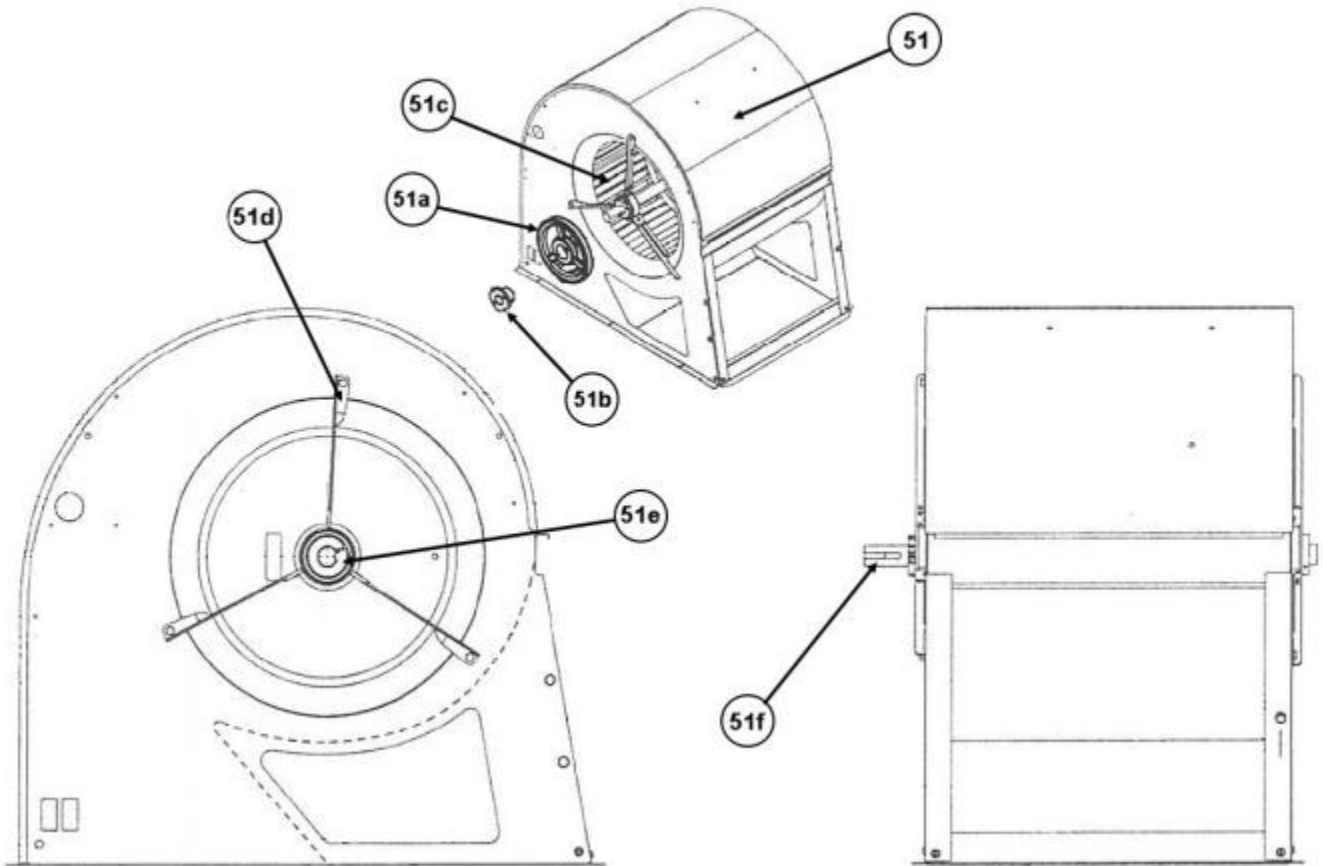
Fan Assembly 096-120



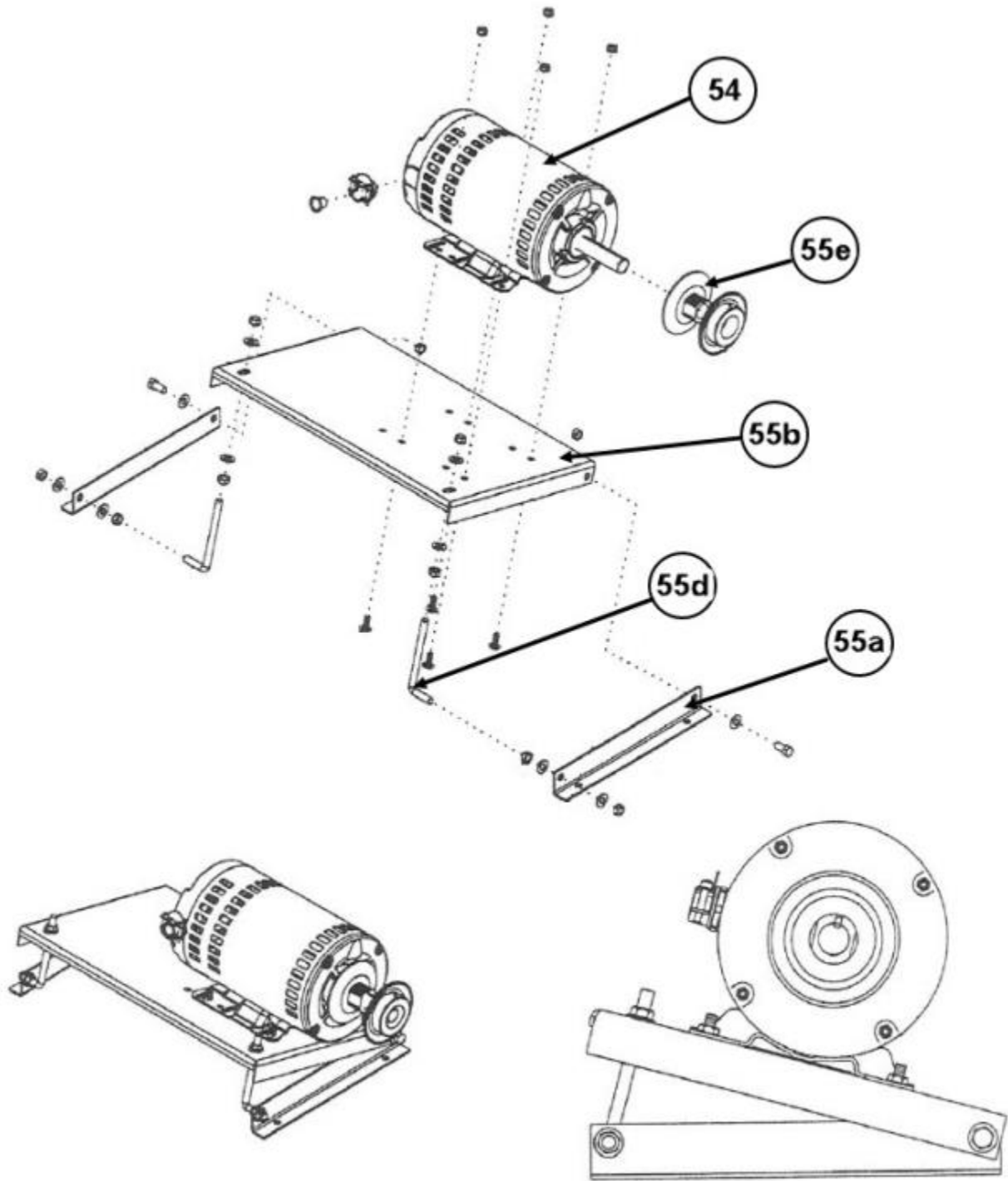
Control Box view 096-120



Blower Assembly 042-078

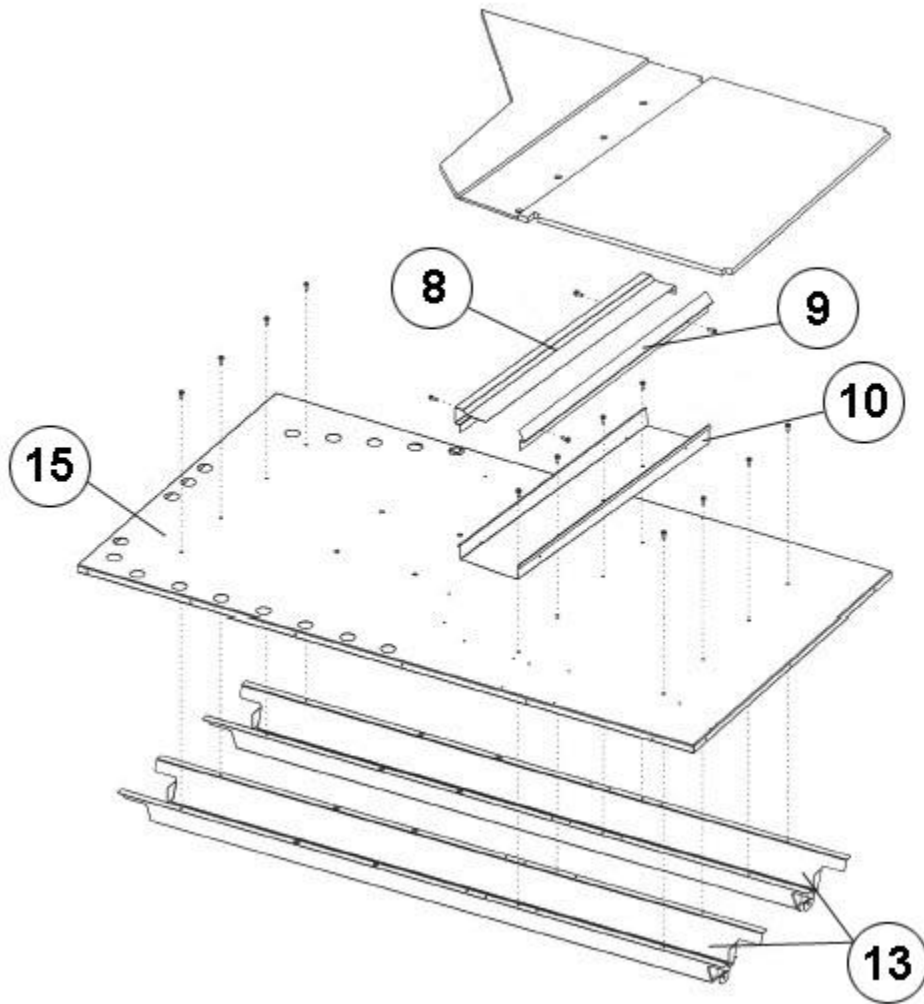


Blower Assembly 096-120

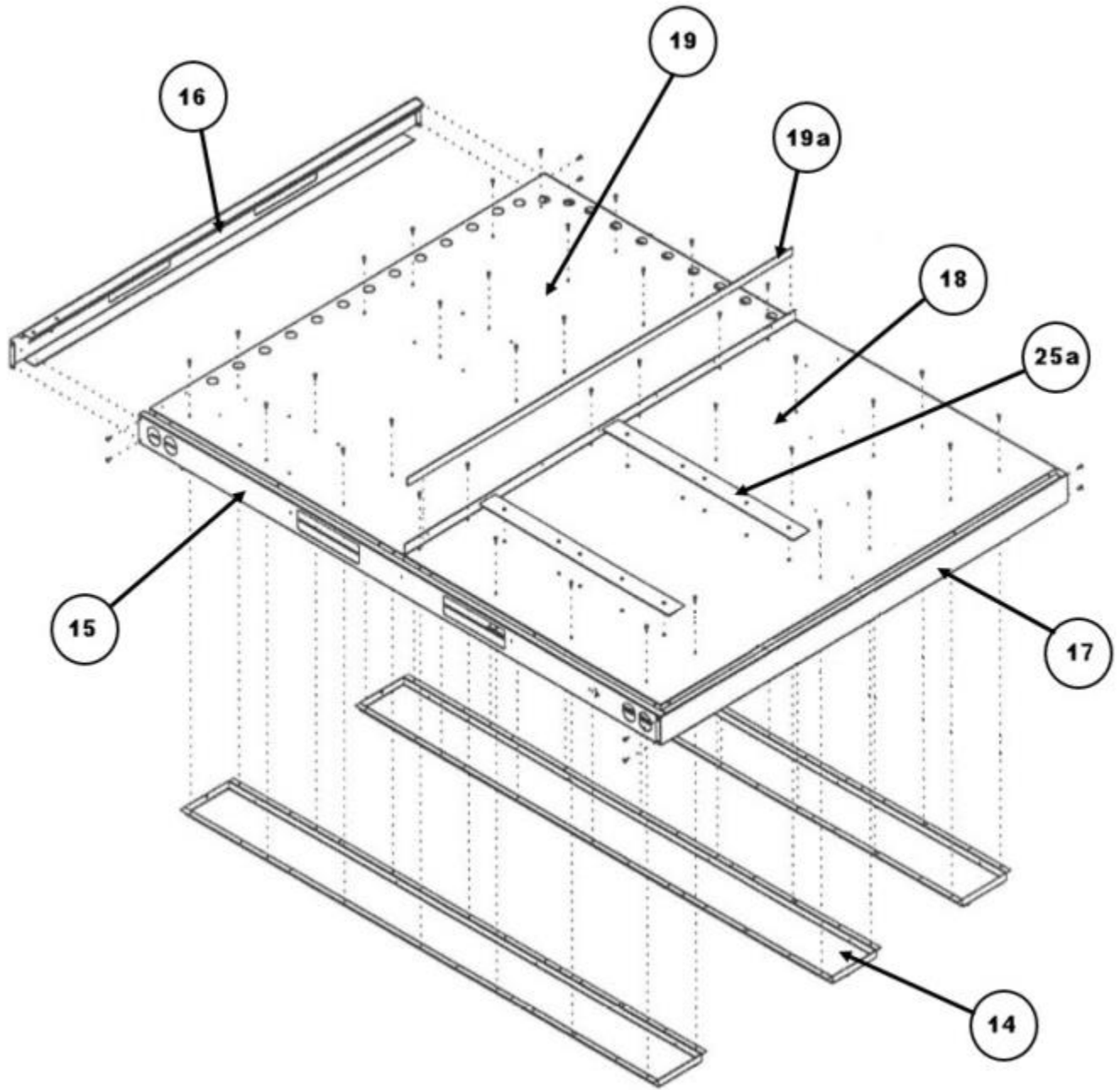


Blower Motor - Mount View 096-120





Base Pan Assy 042-078



Base Pan Assy 096-120

# NOTES

Stk It is recommended that stock be maintained for this part.  
N/A Not Applicable

**DISCLAIMER:** This document is intended to provide general replacement parts information to aid qualified service personnel in the repair of these models. The complete Model and Serial Number of the unit under repair should be specified when selecting and ordering replacement parts. Specifications and illustrations are subject to change without notice. Document 92-42802-EMRHRX supersedes all previous parts lists for these models. See <http://www.rheempartslists.net/92-42802-EMRHRX> for the latest revision of this document. The manufacturer assumes no obligation for errors or omissions. Service personnel must verify the proper and safe operation of equipment after the replacement of any original components.