

EL3T

Parts List
03-July-2019

Form No. 92-42802-EL3T

*This parts list is current as of the above revision date.
See <http://www.rheempartslists.net/92-42802-EL3T.pdf> for the current revision.*

Air Handlers - Commercial

Table of Contents

Model Explanation	Page 3
Parts Numbers	
Panels - MSC (1)	Page 4
Panels - MSC (2)	Page 5
Panels - MSC (3)	Page 6
Panels - MSC (4)	Page 7
ELG	Page 8
ELG (2)	Page 9
BG	Page 10
BG (2)	Page 11
CPG	Page 12
CPG (2)	Page 13
Drawings/Photographs	
Exploded View 1812-3612SP	Page 14
Control Panel Assembly 1812-3612SP	Page 15
Right Panel Assembly 1812-3612SP	Page 16
Drain Pan, Brackets 1812-3612SP	Page 17
Blower Assembly 1812-3612SP	Page 18
Strainer Bracket 1812-3612SP	Page 19
Exterior Panels 4217-6518ST	Page 20
Left Panel Assembly 4217-6518ST	Page 21
Right Panel Assembly 4217-6518ST	Page 22
Filter Frame Assembly 4217-6518ST	Page 23
TXV, Distributor 4217-6518ST	Page 24
Coil Assembly 4217-6518ST	Page 25
Control Box 4217-6518ST	Page 26
Control Box Assy 4217-6518ST	Page 27
Blower Assembly 4217-6518ST	Page 28
Notes/Disclaimer	Page 29

MODEL NUMBER EXPLANATION

E	L	3	T	18	12	S	P	A	C	T	A	***
1	2	3	4	5	6	7	8	9	10	11	12	13
1	TRADE BRAND DESIGNATION E = RHEEM EXPORT R = RHEEM/RUUD V = RUUD EXPORT						8	METERING DEVICE T = TEV E = EEV P = PISTON				
2	L = LOW HEIGHT						9	MAJOR SERIES A = FIRST B = SECOND				
3	STAGE OF AIR FLOW 1 = Single 2 = Two Stage 3 = Three Speed			L = Low Static H = High Static M = Modulating		10	CONTROLS C = Communicating N = Non-Communicating					
4	MOTOR TYPE T = Constant Torque V = Variable Speed P = PSC						11	Voltage/Frequency/Phase J = 208-240/60/1 T = 200-240/50/1				
5	NOMINAL CAPACITY (BTU/HR) 18 = 18,000 22 = 22,000 24 = 24,000 28 = 28,000 30 = 30,000 36 = 36,000 42 = 42,000 48 = 48,000 55 = 55,000 60 = 60,000 65 = 65,000						12	MINOR SERIES A = First				
6	HEIGHT 12 = 10.5 inches 17 = 16.07 inches 18 = 16.57 inches						13	OPTION CODE (***) Blank = None 030 = SASO Models				
7	EFFICIENCY S = Standard M = Medium H = High											

SERIAL NUMBER EXPLANATION

W	0	4	1	0	9	9	9	9	9
1	2		3		4				

- 1** **PLANT CODE**
W = Nuevo Laredo (West)
- 2** **WEEK OF PRODUCTION**
- 3** **YEAR OF PRODUCTION**
- 4** **PRODUCTION NUMBER**

No.	Notes	MODEL CAPACITY/HEIGHT EFFICIENCY/METERING/SERIES/CONTROLS VOLTAGE/MINOR SERIES	EL3T 1812 SPAC JA/TA	EL3T 2412 SPAC JA/TA	EL3T 3012 SPAC JA/TA	EL3T 3612 SPAC JA/TA
PANELS, SHEET METAL, MISCELLANEOUS						
1		Top Blower Panel Assembly (includes insulation)	AS-106332-11	AS-106332-11	AS-106332-13	AS-106332-13
2		Bottom Panel Assembly (includes insulation)	AS-106333-11	AS-106333-11	AS-106333-13	AS-106333-13
3		Left Panel Assembly (includes insulation)	AS-106334-11	AS-106334-11	AS-106334-13	AS-106334-13
4		Right Panel Assembly (includes cover, insulation, terminal blocks, ground lug, and star bushing)	AS-106335-11	AS-106335-11	AS-106335-13	AS-106335-13
5		Filter Frame Assembly (includes 5a, 5b - does not include filter)	AS-106336-11	AS-106336-11	AS-106336-13	AS-106336-13
5a		Filter Frame Door	AE-106269-01H	AE-106269-01H	AE-106269-03H	AE-106269-03H
5b		Filter Frame Bracket	AE-105839-01	AE-105839-01	AE-105839-02	AE-105839-02
6		Filter	68-105690-01	68-105690-01	68-105690-03	68-105690-03
7		Top Coil Panel Assembly (includes insulation)	AS-106704-11	AS-106704-11	AS-106704-13	AS-106704-13
8		Top Element Cover	AE-105669-01H	AE-105669-01H	AE-105669-03H	AE-105669-03H
9		Right Side Panel	AE-105567-01H	AE-105567-01H	AE-105567-02H	AE-105567-02H
10		Left Side Panel	AE-105568-01H	AE-105568-01H	AE-105568-02H	AE-105568-02H
11		Control Box Base Panel	AE-105671-01H	AE-105671-01H	AE-105671-03H	AE-105671-03H
11a		Conduit Bracket	AE-105522-04	AE-105522-04	AE-105522-04	AE-105522-04
11b		Control Board Bracket	AE-105522-05	AE-105522-05	AE-105522-05	AE-105522-05
11c		Screws (10)	63-22153-05	63-22153-05	63-22153-05	63-22153-05
12		Dummy Cover	AE-106341-01H	AE-106341-01H	AE-106341-01H	AE-106341-01H
13		Control Box	AE-105837-11H	AE-105837-11H	AE-105837-11H	AE-105837-11H
14		Control Box Cover	AE-105676-11H	AE-105676-11H	AE-105676-11H	AE-105676-11H
15		Control Box Cover Case	AE-105836-01H	AE-105836-01H	AE-105836-03H	AE-105836-03H
16		Drain Pan Assembly (includes insulation and Brackets)	See Coil Group			
16a		Drain Pan Bracket - Left	See Coil Group			
16b		Drain Pan Bracket - Right	See Coil Group			
17		Mounting Bracket (2)	10-105010-01	10-105010-01	10-105010-01	10-105010-01
18		Grommet (4)	56-106281-01	56-106281-01	56-106281-01	56-106281-01

No.	Notes	MODEL CAPACITY/HEIGHT EFFICIENCY/METERING/SERIES/CONTROLS VOLTAGE/MINOR SERIES	EL3T 1812 SPBC JA	EL3T 2212 SPBC JA	EL3T 2812 SPBC JA	EL3T 3212 SPBC JA
PANELS, SHEET METAL, MISCELLANEOUS						
1		Top Blower Panel Assembly (includes insulation)	AS-106332-11	AS-106332-11	AS-106332-13	AS-106332-13
2		Bottom Panel Assembly (includes insulation)	AS-106333-11	AS-106333-11	AS-106333-13	AS-106333-13
3		Left Panel Assembly (includes insulation)	AS-106334-11	AS-106334-11	AS-106334-13	AS-106334-13
4		Right Panel Assembly (includes cover, insulation, terminal blocks, ground lug, and star bushing)	AS-106335-11	AS-106335-11	AS-106335-13	AS-106335-13
5		Filter Frame Assembly (includes 5a, 5b - does not include filter)	AS-106336-11	AS-106336-11	AS-106336-13	AS-106336-13
5a		Filter Frame Door	AE-106269-01H	AE-106269-01H	AE-106269-03H	AE-106269-03H
5b		Filter Frame Bracket	AE-105839-01	AE-105839-01	AE-105839-01	AE-105839-01
6		Filter	68-105690-01	68-105690-01	68-105690-03	68-105690-03
7		Top Coil Panel Assembly (includes insulation)	AS-106704-11	AS-106704-11	AS-106704-13	AS-106704-13
8		Top Element Cover	AE-105669-01H	AE-105669-01H	AE-105669-03H	AE-105669-03H
9		Right Side Panel	AE-105567-02H	AE-105567-02H	AE-105567-02H	AE-105567-02H
10		Left Side Panel	AE-105568-02H	AE-105568-02H	AE-105568-02H	AE-105568-02H
11		Control Box Base Panel	AE-105671-01H	AE-105671-01H	AE-105671-03H	AE-105671-03H
11a		Conduit Bracket	AE-105522-04	AE-105522-04	AE-105522-04	AE-105522-04
11b		Control Board Bracket	AE-105522-05	AE-105522-05	AE-105522-05	AE-105522-05
11c		Screws (10)	63-22153-05	63-22153-05	63-22153-05	63-22153-05
12		Dummy Cover	AE-106341-01H	AE-106341-01H	AE-106341-01H	AE-106341-01H
13		Control Box	AE-105837-11H	AE-105837-11H	AE-105837-11H	AE-105837-11H
14		Control Box Cover	AE-105676-11H	AE-105676-11H	AE-105676-11H	AE-105676-11H
15		Control Box Cover Case	AE-105836-01H	AE-105836-01H	AE-105836-03H	AE-105836-03H
16		Drain Pan Assembly (includes insulation and Brackets)	See Coil Group			
16a		Drain Pan Bracket - Left	See Coil Group			
16b		Drain Pan Bracket - Right	See Coil Group			
17		Mounting Bracket (2)	10-105010-01	10-105010-01	10-105010-01	10-105010-01
18		Grommet (4)	56-106281-01	56-106281-01	56-106281-01	56-106281-01

No.	Notes	MODEL CAPACITY/HEIGHT EFFICIENCY/METERING/SERIES/CONTROLS VOLTAGE/MINOR SERIES	EL3T 1812 SPBC TA	EL3T 2412 SPBC TA	EL3T 3012 SPBC TA	EL3T 3612 SPBC TA
PANELS, SHEET METAL, MISCELLANEOUS						
1		Top Blower Panel Assembly (includes insulation)	AS-106332-11	AS-106332-11	AS-106332-13	AS-106332-13
2		Bottom Panel Assembly (includes insulation)	AS-106333-11	AS-106333-11	AS-106333-13	AS-106333-13
3		Left Panel Assembly (includes insulation)	AS-106334-11	AS-106334-11	AS-106334-13	AS-106334-13
4		Right Panel Assembly (includes cover, insulation, terminal blocks, ground lug, and star bushing)	AS-106335-11	AS-106335-11	AS-106335-13	AS-106335-13
5		Filter Frame Assembly (includes 5a, 5b - does not include filter)	AS-106336-11	AS-106336-11	AS-106336-13	AS-106336-13
5a		Filter Frame Door	AE-106269-01H	AE-106269-01H	AE-106269-03H	AE-106269-03H
5b		Filter Frame Bracket	AE-105839-01	AE-105839-01	AE-105839-01	AE-105839-01
6		Filter	68-105690-01	68-105690-01	68-105690-03	68-105690-03
7		Top Coil Panel Assembly (includes insulation)	AS-106704-11	AS-106704-11	AS-106704-13	AS-106704-13
8		Top Element Cover	AE-105669-01H	AE-105669-01H	AE-105669-03H	AE-105669-03H
9		Right Side Panel	AE-105567-01H	AE-105567-01H	AE-105567-02H	AE-105567-02H
10		Left Side Panel	AE-105568-01H	AE-105568-01H	AE-105568-02H	AE-105568-02H
11		Control Box Base Panel	AE-105671-01H	AE-105671-01H	AE-105671-03H	AE-105671-03H
11a		Conduit Bracket	AE-105522-04	AE-105522-04	AE-105522-04	AE-105522-04
11b		Control Board Bracket	AE-105522-05	AE-105522-05	AE-105522-05	AE-105522-05
11c		Screws (10)	63-22153-05	63-22153-05	63-22153-05	63-22153-05
12		Dummy Cover	AE-106341-01H	AE-106341-01H	AE-106341-01H	AE-106341-01H
13		Control Box	AE-105837-11H	AE-105837-11H	AE-105837-11H	AE-105837-11H
14		Control Box Cover	AE-105676-11H	AE-105676-11H	AE-105676-11H	AE-105676-11H
15		Control Box Cover Case	AE-105836-01H	AE-105836-01H	AE-105836-03H	AE-105836-03H
16		Drain Pan Assembly (includes insulation and Brackets)	See Coil Group			
16a		Drain Pan Bracket - Left	See Coil Group			
16b		Drain Pan Bracket - Right	See Coil Group			
17		Mounting Bracket (2)	10-105010-01	10-105010-01	10-105010-01	10-105010-01
18		Grommet (4)	56-106281-01	56-106281-01	56-106281-01	56-106281-01

No.	Notes	MODEL CAPACITY/HEIGHT EFFICIENCY/METERING/SERIES/CONTROLS VOLTAGE/MINOR SERIES	EL3T 4217 STAC TA	EL3T 4817 STAC TA	EL3T 6017 STAC JA/TA	EL3T 6518 STAC TA
PANELS, SHEET METAL, MISCELLANEOUS						
1		Top Panel Assembly (includes insulation)	AS-106318-01	AS-106318-02	AS-106318-02	AS-106318-03
2		Bottom Panel - Back	AE-106294-01H	AE-106294-02H	AE-106294-02H	AE-106294-03H
3		Bottom Panel - Front (includes insulation)	AS-106315-01	AS-106315-02	AS-106315-02	AS-106315-03
4		Piping Cover (includes insulation)	AS-106284-01	AS-106284-01	AS-106284-01	AS-106284-02
5		Filter Frame (does not include filter)	See Coil Group			
5a		Filter Frame Door	AE-106377-01H	AE-106377-02H	AE-106377-02H	AE-106377-03H
5b		Filter Bracket	AE-106383-01	AE-106383-01	AE-106383-01	AE-106383-02
6		Filter (2)	68-106382-01	68-106382-02	68-106382-02	68-106382-03
7a		Control Box Metal Assembly	AS-106283-01	AS-106283-01	AS-106283-01	AS-106283-01
7b		Control Board Bracket	AE-105522-05	AE-105522-05	AE-105522-05	AE-105522-05
7c		Screws (4)	63-22153-05	63-22153-05	63-22153-05	63-22153-05
8		Left Panel Assembly (Includes items 8a - 8e and Insulation)	AS-106288-01	AS-106288-01	AS-106288-01	AS-106288-02
8a		Left Side Panel	AE-106296-01H	AE-106296-01H	AE-106296-01H	AE-106296-02H
8b		Plunger	64-106380-01	64-106380-01	64-106380-01	64-106380-01
8c		Plunger Bracket	10-106361-01	10-106361-01	10-106361-01	10-106361-01
8d		Blower Rail	AE-106360-01	AE-106360-01	AE-106360-01	AE-106360-01
8e		Blower Rail	AE-106360-01	AE-106360-01	AE-106360-01	AE-106360-01
9		Right Panel Assembly (Includes items 9a - 9e and Insulation)	AS-106289-01	AS-106289-01	AS-106289-01	AS-106289-02
9a		Right Side Panel	AE-106298-01H	AE-106298-01H	AE-106298-01H	AE-106298-02H
9b		Plunger	64-106380-01	64-106380-01	64-106380-01	64-106380-01
9c		Plunger Bracket	10-106361-01	10-106361-01	10-106361-01	10-106361-01
9d		Blower Rail	AE-106360-01	AE-106360-01	AE-106360-01	AE-106360-01
9e		Blower Rail	AE-106360-01	AE-106360-01	AE-106360-01	AE-106360-01
10		Control Box Cover	AE-106292-01H	AE-106292-01H	AE-106292-01H	AE-106292-01H
11		Front Panel Assembly (includes insulation)	AS-106317-01	AS-106317-02	AS-106317-02	AS-106317-03
12		Drain Pan Assembly (includes insulation)	See Coil Group			
13		Mounting Bracket (4)	10-105010-01	10-105010-01	10-105010-01	10-105010-01
14		Mounting Grommet (4)	56-106281-01	56-106281-01	56-106281-01	56-106281-01

No.	Notes	MODEL CAPACITY/HEIGHT EFFICIENCY/METERING/SERIES/CONTROLS VOLTAGE/MINOR SERIES	EL3T 4217 STAC JA	EL3T 4817 STAC JA	EL3T 5517 STAC JA	EL3T 6518 STAC JA
PANELS, SHEET METAL, MISCELLANEOUS						
1		Top Panel Assembly (includes insulation)	AS-107339-01	AS-107339-02	AS-107339-02	AS-107339-03
2		Bottom Panel - Back	AE-106294-01H	AE-106294-02H	AE-106294-02H	AE-106294-03H
3		Bottom Panel - Front (includes insulation)	AS-107345-01	AS-107345-02	AS-107345-02	AS-107345-03
4		Piping Cover (includes insulation)	AS-107346-01	AS-107346-01	AS-107346-01	AS-107346-02
5		Filter Frame (does not include filter)	See Coil Group			
5a		Filter Frame Door	AE-106377-01H	AE-106377-02H	AE-106377-02H	AE-106377-03H
5b		Filter Bracket	AE-106383-01	AE-106383-01	AE-106383-01	AE-106383-02
6		Filter (2)	68-106382-01	68-106382-02	68-106382-02	68-106382-03
7a		Control Box Metal Assembly	AS-107348-01	AS-107348-01	AS-107348-01	AS-107348-01
7b		Control Board Bracket	AE-105522-05	AE-105522-05	AE-105522-05	AE-105522-05
7c		Screws (4)	63-22153-05	63-22153-05	63-22153-05	63-22153-05
8		Left Panel Assembly (Includes Panel, Insulation, and Blower Deck Rail Brackets)	AS-107342-01	AS-107342-01	AS-107342-01	AS-107342-02
8b		Plunger	N/A	N/A	N/A	N/A
8c		Plunger Bracket	N/A	N/A	N/A	N/A
9		Right Panel Assembly (Includes Panel, Insulation, and Blower Deck Rail Brackets)	AS-107341-01	AS-107341-01	AS-107341-01	AS-107341-02
9c		Plunger	N/A	N/A	N/A	N/A
9d		Plunger Bracket	N/A	N/A	N/A	N/A
10		Control Box Cover	AE-106292-01H	AE-106292-01H	AE-106292-01H	AE-106292-01H
11		Front Panel Assembly (includes insulation)	AS-107340-01	AS-107340-02	AS-107340-02	AS-107340-03
12		Drain Pan Assembly (includes insulation)	See Coil Group			
13		Mounting Bracket (4)	10-105010-01	10-105010-01	10-105010-01	10-105010-01
14		Mounting Grommet (4)	56-106281-01	56-106281-01	56-106281-01	56-106281-01

No.	Notes	MODEL CAPACITY/HEIGHT EFFICIENCY/METERING/SERIES/CONTROLS VOLTAGE/MINOR SERIES	EL3T	EL3T	EL3T	EL3T	EL3T
			1812 SPAC JA/TA	2412 SPAC JA/TA	3012 SPAC JA/TA	3612 SPAC JA/TA	4217 STAC JA/TA
ELECTRICAL GROUP							
20	Stk	Transformer	46-101904-01	46-101904-01	46-101904-01	46-101904-01	46-101904-01
21	Stk	Control Board	47-106202-01	47-106202-01	47-106202-01	47-106202-01	47-106202-01
		Thermostat	47-105610-01	47-105610-01	47-105610-01	47-105610-01	47-105610-01
		Freeze Sensor	47-105608-01	47-105608-01	47-105608-01	47-105608-01	47-105608-01
		Wiring Harness (T-Stat, 4 pin connector)	45-106426-01	45-106426-01	45-106426-01	45-106426-01	45-106426-02
		Wiring Harness (Compressor/Contactor, 2 pin connector)	45-106427-01	45-106427-01	45-106427-01	45-106427-01	45-106427-02
22		Terminal Block	45-23222-02	45-23222-02	45-23222-02	45-23222-02	45-23222-02
23		Ground Lug	45-19000-01	45-19000-01	45-19000-01	45-19000-01	45-19000-01
24		Terminal Block (4-Pole)	45-23222-12	45-23222-12	45-23222-12	45-23222-12	N/A
25		Star Bushing	45-18515-01	45-18515-01	45-18515-01	45-18515-01	45-18515-01
26		Wire Clip	64-101354-01	64-101354-01	64-101354-01	64-101354-01	N/A
27		Locking Wing Push Mount Tie	N/A	N/A	N/A	N/A	64-25340-02
28a		Bracket - External Control Box Bracket	AE-106326-01H	AE-106326-01H	AE-106326-01H	AE-106326-01H	N/A
28b		External Control Box Cover	AE-105676-04H	AE-105676-04H	AE-105676-04H	AE-105676-04H	N/A
28c		Side Panel - Right	AE-105673-11H	AE-105673-11H	AE-105673-11H	AE-105673-11H	N/A

No.	Notes	MODEL CAPACITY/HEIGHT EFFICIENCY/METERING/SERIES/CONTROLS VOLTAGE/MINOR SERIES	EL3T	EL3T	EL3T	EL3T
			4817 STAC JA/TA	5517 STAC JA	6017 STAC JA/TA	6518 STAC JA/TA
ELECTRICAL GROUP						
20	Stk	Transformer	46-101904-01	46-101904-01	46-101904-01	46-101904-01
21	Stk	Control Board	47-106202-01	47-106202-01	47-106202-01	47-106202-01
		Thermostat	47-105610-01	47-105610-01	47-105610-01	47-105610-01
		Freeze Sensor	47-105608-01	47-105608-01	47-105608-01	47-105608-01
		Wiring Harness (T-Stat, 4 pin connector)	45-106426-02	45-106426-02	45-106426-02	45-106426-02
		Wiring Harness (Compressor/Contactor, 2 pin connector)	45-106427-02	45-106427-02	45-106427-02	45-106427-02
22		Terminal Block	45-23222-02	45-23222-02	45-23222-02	45-23222-02
23		Ground Lug	45-19000-01	45-19000-01	45-19000-01	45-19000-01
25		Star Bushing	45-18515-01	45-18515-01	45-18515-01	45-18515-01
27		Locking Wing Push Mount Tie	64-25340-02	64-25340-02	64-25340-02	64-25340-02

No.	Notes	MODEL CAPACITY/HEIGHT EFFICIENCY/METERING/SERIES/CONTROLS VOLTAGE/MINOR SERIES	EL3T	EL3T	EL3T	EL3T
			1812 SPBC JA/TA	2212 SPBC JA	2412 SPBC TA	2812 SPBC JA
ELECTRICAL GROUP						
20	Stk	Transformer	46-101904-01	46-101904-01	46-101904-01	46-101904-01
21	Stk	Control Board	47-106202-01	47-106202-01	47-106202-01	47-106202-01
		Thermostat	47-105610-01	47-105610-01	47-105610-01	47-105610-01
		Freeze Sensor	47-105608-01	47-105608-01	47-105608-01	47-105608-01
		Wiring Harness (T-Stat, 4 pin connector)	45-106426-01	45-106426-01	45-106426-01	45-106426-01
		Wiring Harness (Compressor/Contactor, 2 pin connector)	45-106427-01	45-106427-01	45-106427-01	45-106427-01
22		Terminal Block	45-23222-02	45-23222-02	45-23222-02	45-23222-02
23		Ground Lug	45-19000-01	45-19000-01	45-19000-01	45-19000-01
24		Terminal Block (4-Pole)	45-23222-12	45-23222-12	45-23222-12	45-23222-12
25		Star Bushing	45-18515-01	45-18515-01	45-18515-01	45-18515-01
26		Wire Clip	64-101354-01	64-101354-01	64-101354-01	64-101354-01
28a		Bracket - External Control Box Bracket	AE-106326-01H	AE-106326-01H	AE-106326-01H	AE-106326-01H
28b		External Control Box Cover	AE-105676-04H	AE-105676-04H	AE-105676-04H	AE-105676-04H
28c		Side Panel - Right	AE-105673-11H	AE-105673-11H	AE-105673-11H	AE-105673-13H

No.	Notes	MODEL CAPACITY/HEIGHT EFFICIENCY/METERING/SERIES/CONTROLS VOLTAGE/MINOR SERIES	EL3T	EL3T	EL3T	
			3012 SPBC TA	3212 SPBC JA	3612 SPBC TA	
ELECTRICAL GROUP						
20	Stk	Transformer	46-101904-01	46-101904-01	46-101904-01	
21	Stk	Control Board	47-106202-01	47-106202-01	47-106202-01	
		Thermostat	47-105610-01	47-105610-01	47-105610-01	
		Freeze Sensor	47-105608-01	47-105608-01	47-105608-01	
		Wiring Harness (T-Stat, 4 pin connector)	45-106426-01	45-106426-01	45-106426-01	
		Wiring Harness (Compressor/Contactor, 2 pin connector)	45-106427-01	45-106427-01	45-106427-01	
22		Terminal Block	45-23222-02	45-23222-02	45-23222-02	
23		Ground Lug	45-19000-01	45-19000-01	45-19000-01	
24		Terminal Block (4-Pole)	45-23222-12	45-23222-12	45-23222-12	
25		Star Bushing	45-18515-01	45-18515-01	45-18515-01	
26		Wire Clip	64-101354-01	64-101354-01	64-101354-01	
28a		Bracket - External Control Box Bracket	AE-106326-01H	AE-106326-01H	AE-106326-01H	
28b		External Control Box Cover	AE-105676-04H	AE-105676-04H	AE-105676-04H	
28c		Side Panel - Right	AE-105673-13H	AE-105673-13H	AE-105673-13H	

No.	Notes	MODEL CAPACITY/HEIGHT EFFICIENCY/METERING/SERIES/CONTROLS VOLTAGE/MINOR SERIES	EL3T 1812 SPAC JA	EL3T 2412 SPAC JA	EL3T 3012 SPAC JA	EL3T 3612 SPAC JA
BLOWER GROUP						
30	Stk	Blower Assembly (Includes Items Listed Below)	AS-106330-11	AS-106330-13	AS-106330-15	AS-106330-17
31		Blower Housing Assembly Pair (includes wheel)	70-105526-01	70-105526-01	70-105526-02	70-105526-02
32		Blower Deck	AE-105797-01H	AE-105797-01H	AE-105797-03H	AE-105797-03H
33	Stk	Blower Motor w/Control Module & Motor Clamps (2)	51-106442-01	51-106442-03	51-106443-01	51-106443-03
33a		Control Module Bracket	AE-105835-03H	AE-105835-03H	AE-105835-03H	AE-105835-03H
33b		Motor Bracket	10-105541-01	10-105541-01	10-105541-02	10-105541-02
33c		Motor Clamp (2)	10-105649-01	10-105649-01	10-105649-01	10-105649-01
34		Sheet Metal Screws (8-18 x 3/8) (10)	63-22153-05	63-22153-05	63-22153-05	63-22153-05
35a		Bolt - Hex Head (1/4-20) (4)	63-40254-02	63-40254-02	63-40254-02	63-40254-02
35b		Lock Nut - Serrated (4)	63-103371-01	63-103371-01	63-103371-01	63-103371-01
35c		Flat Washer (8)	63-17180-02	63-17180-02	63-17180-02	63-17180-02

No.	Notes	MODEL CAPACITY/HEIGHT EFFICIENCY/METERING/SERIES/CONTROLS VOLTAGE/MINOR SERIES	EL3T 1812 SPBC JA	EL3T 2212 SPBC JA	EL3T 2812 SPBC JA	EL3T 3212 SPBC JA
BLOWER GROUP						
30	Stk	Blower Assembly (Includes Items Listed Below)	AS-106330-11	AS-106330-13	AS-106330-15	AS-106330-17
31		Blower Housing Assembly Pair (includes wheel)	70-105526-01	70-105526-01	70-105526-02	70-105526-02
32		Blower Deck	AE-105797-01H	AE-105797-01H	AE-105797-03H	AE-105797-03H
33	Stk	Blower Motor w/Control Module & Motor Clamps (2)	51-106442-01	51-106442-03	51-106443-01	51-106443-03
33a		Control Module Bracket	AE-105835-03H	AE-105835-03H	AE-105835-03H	AE-105835-03H
33b		Motor Bracket	10-105541-01	10-105541-01	10-105541-02	10-105541-02
34		Sheet Metal Screws (8-18 x 3/8) (10)	63-22153-05	63-22153-05	63-22153-05	63-22153-05
35a		Bolt - Hex Head (1/4-20) (4)	63-40254-02	63-40254-02	63-40254-02	63-40254-02
35b		Lock Nut - Serrated (4)	63-103371-01	63-103371-01	63-103371-01	63-103371-01
35c		Flat Washer (8)	63-17180-02	63-17180-02	63-17180-02	63-17180-02

No.	Notes	MODEL CAPACITY/HEIGHT EFFICIENCY/METERING/SERIES/CONTROLS VOLTAGE/MINOR SERIES	EL3T 1812 SPAC TA	EL3T 2412 SPAC TA	EL3T 3012 SPAC TA	EL3T 3612 SPAC TA
BLOWER GROUP						
30	Stk	Blower Assembly (Includes Items Listed Below)	AS-106330-12	AS-106330-14	AS-106330-16	AS-106330-18
31		Blower Housing Assembly Pair (includes wheel)	70-105526-01	70-105526-01	70-105526-02	70-105526-02
32		Blower Deck	AE-105797-01H	AE-105797-01H	AE-105797-03H	AE-105797-03H
33	Stk	Blower Motor w/Control Module & Motor Clamps (2)	51-106442-02	51-106442-04	51-106443-02	51-106443-04
33a		Control Module Bracket	AE-105835-03H	AE-105835-03H	AE-105835-03H	AE-105835-03H
33b		Motor Bracket	10-105541-01	10-105541-01	10-105541-02	10-105541-02
33c		Motor Clamp (2)	10-105649-01	10-105649-01	10-105649-01	10-105649-01
34		Sheet Metal Screws (8-18 x 3/8) (10)	63-22153-05	63-22153-05	63-22153-05	63-22153-05
35a		Bolt - Hex Head (1/4-20) (4)	63-40254-02	63-40254-02	63-40254-02	63-40254-02
35b		Lock Nut - Serrated (4)	63-103371-01	63-103371-01	63-103371-01	63-103371-01
35c		Flat Washer (8)	63-17180-02	63-17180-02	63-17180-02	63-17180-02

No.	Notes	MODEL CAPACITY/HEIGHT EFFICIENCY/METERING/SERIES/CONTROLS VOLTAGE/MINOR SERIES	EL3T 1812 SPBC TA	EL3T 2412 SPBC TA	EL3T 3012 SPBC TA	EL3T 3612 SPBC TA
BLOWER GROUP						
30	Stk	Blower Assembly (Includes Items Listed Below)	AS-106330-12	AS-106330-14	AS-106330-18	AS-106330-18
31		Blower Housing Assembly Pair (includes wheel)	70-105526-01	70-105526-01	70-105526-02	70-105526-02
32		Blower Deck	AE-105797-01H	AE-105797-01H	AE-105797-03H	AE-105797-03H
33	Stk	Blower Motor w/Control Module & Motor Clamps (2)	51-106442-01	51-106442-04	51-106443-04	51-106443-04
33a		Control Module Bracket	AE-105835-03H	AE-105835-03H	AE-105835-03H	AE-105835-03H
33b		Motor Bracket	10-105541-01	10-105541-01	10-105541-02	10-105541-02
34		Sheet Metal Screws (8-18 x 3/8) (10)	63-22153-05	63-22153-05	63-22153-05	63-22153-05
35a		Bolt - Hex Head (1/4-20) (4)	63-40254-02	63-40254-02	63-40254-02	63-40254-02
35b		Lock Nut - Serrated (4)	63-103371-01	63-103371-01	63-103371-01	63-103371-01
35c		Flat Washer (8)	63-17180-02	63-17180-02	63-17180-02	63-17180-02

No.	Notes	MODEL CAPACITY/HEIGHT EFFICIENCY/METERING/SERIES/CONTROLS VOLTAGE/MINOR SERIES	EL3T 4217 STAC JA	EL3T 4817 STAC JA	EL3T 5517 STAC JA	EL3T 6017 STAC JA	EL3T 6518 STAC JA
BLOWER GROUP							
30	Stk	Blower Assembly (Includes Items Listed Below)	AS-107344-01	AS-107344-02	AS-107344-03	AS-106358-06	AS-107344-04
31a		Blower Housing Assembly (Right)	70-106356-02	70-106356-02	70-106356-02	70-106356-02	70-106356-02
31b		Blower Housing Assembly (Left)	70-106357-02	70-106357-02	70-106357-02	70-106357-02	70-106357-02
32		Blower Deck	AE-107329-01H	AE-107329-02H	AE-107329-02H	AE-106354-02H	AE-107329-03H
32a		Air Flow Cover	AE-107328-01H	AE-107328-02H	AE-107328-02H	AE-106368-02H	AE-107328-02H
32b		Air Flow Bracket	AE-107352-01H	AE-107352-02H	AE-107352-02H	AE-106364-02H	AE-107352-02H
32c		Dummy Cover	AE-106365-01H	AE-106365-02H	AE-106365-02H	AE-106365-02H	AE-106365-02H
33	Stk	Blower Motor w/Control Module & Motor Clamps (2)	51-106444-01	51-106444-03	51-106445-02	51-106445-02	51-106445-04
33a		Control Module Bracket	AE-107331-01H	AE-106367-01H	AE-106367-01H	AE-106367-01H	AE-106367-01H
33b		Motor Bracket	10-106355-01	10-106355-02	10-106355-02	10-106355-02	10-106355-02
33c		Strain Relief	45-106252-01	45-106252-01	45-106252-01	45-106252-01	45-106252-01
34		Sheet Metal Screws (10-16 x 3/8)	63-22338-11 (30)	63-22338-11 (30)	63-22338-11 (30)	63-22338-11 (25)	63-22338-11 (30)
35a		Bolt - Hex Head (1/4-20) (4)	63-40254-02	63-40254-02	63-40254-02	63-40254-02	63-40254-02
35b		Lock Nut - Serrated (4)	63-103371-01	63-103371-01	63-103371-01	63-103371-01	63-103371-01
35c		Flat Washer (8)	63-17180-02	63-17180-02	63-17180-02	63-17180-02	63-17180-02

No.	Notes	MODEL CAPACITY/HEIGHT EFFICIENCY/METERING/SERIES/CONTROLS VOLTAGE/MINOR SERIES	EL3T 4217 STAC TA	EL3T 4817 STAC TA		EL3T 6017 STAC TA	EL3T 6518 STAC TA
BLOWER GROUP							
30	Stk	Blower Assembly (Includes Items Listed Below)	AS-106358-01	AS-106358-03		AS-106358-05	AS-106358-07
31a		Blower Housing Assembly (Right)	70-106356-02	70-106356-02		70-106356-02	70-106356-02
31b		Blower Housing Assembly (Left)	70-106357-02	70-106357-02		70-106357-02	70-106357-02
32		Blower Deck	AE-106354-01H	AE-106354-02H		AE-106354-02H	AE-106354-03H
32a		Air Flow Cover	AE-106368-01H	AE-106368-02H		AE-106368-02H	AE-106368-02H
32b		Air Flow Bracket	AE-106364-01H	AE-106364-02H		AE-106364-02H	AE-106364-02H
32c		Dummy Cover	AE-106365-01H	AE-106365-02H		AE-106365-02H	AE-106365-02H
33	Stk	Blower Motor w/Control Module & Motor Clamps (2)	51-106444-01	51-106444-02		51-106445-01	51-106445-03
33a		Control Module Bracket	AE-106367-02H	AE-106367-01H		AE-106367-01H	AE-106367-01H
33b		Motor Bracket	10-106355-01	10-106355-02		10-106355-02	10-106355-02
33c		Strain Relief	45-106252-01	45-106252-01		45-106252-01	45-106252-01
34		Sheet Metal Screws (10-16 x 3/8) (25)	63-22338-11	63-22338-11		63-22338-11	63-22338-11
35a		Bolt - Hex Head (1/4-20 x 3/4) (4)	63-40254-02	63-40254-02		63-40254-02	63-40254-02
35b		Lock Nut - Serrated (4)	63-103371-01	63-103371-01		63-103371-01	63-103371-01
35c		Flat Washer (8)	63-17180-02	63-17180-02		63-17180-02	63-17180-02

No.	Notes	MODEL CAPACITY/HEIGHT EFFICIENCY/METERING/SERIES/CONTROLS VOLTAGE/MINOR SERIES	EL3T 1812 SPAC JA	EL3T 2412 SPAC JA	EL3T 3012 SPAC JA	EL3T 3612 SPAC JA
COIL GROUP						
40		Coil Assembly (does not include Flowcheck Distributor and Piston)	AS-106274-01	AS-106274-01	AS-106274-03	AS-106274-03
41a		Flowcheck Distributor/Piston Assembly	61-106404-43	61-106404-49	61-106404-65	61-106404-65
41b		Mounting Bracket Top	AE-105522-02	AE-105522-02	AE-105522-02	AE-105522-02
41c		Mounting Bracket Base	AE-105522-03	AE-105522-03	AE-105522-03	AE-105522-03
41d		Attachment Screw (2)	63-22338-11	63-22338-11	63-22338-11	63-22338-11
41e		Attachment Screw (2)	63-22153-05	63-22153-05	63-22153-05	63-22153-05
41f		Poron Gasket (to be wrapped around strainer to separate from bracket)	68-42246-83	68-42246-83	68-42246-83	68-42246-83
16		Drain Pan Assembly (includes insulation and Brackets)	AS-105652-01	AS-105652-01	AS-105652-03	AS-105652-03
16a		Drain Pan Bracket - Left	AE-105835-01	AE-105835-01	AE-105835-01	AE-105835-01
16b		Drain Pan Bracket - Right	AE-105835-02	AE-105835-02	AE-105835-02	AE-105835-02

No.	Notes	MODEL CAPACITY/HEIGHT EFFICIENCY/METERING/SERIES/CONTROLS VOLTAGE/MINOR SERIES	EL3T 1812 SPAC TA	EL3T 2412 SPAC TA	EL3T 3012 SPAC TA	EL3T 3612 SPAC TA
COIL GROUP						
40		Coil Assembly (does not include Flowcheck Distributor and Piston)	AS-106274-01	AS-106274-01	AS-106274-03	AS-106274-03
41a		Flowcheck Distributor/Piston Assembly	61-106404-49	61-106404-51	61-106404-62	61-106404-65
41b		Mounting Bracket Top	AE-105522-02	AE-105522-02	AE-105522-02	AE-105522-02
41c		Mounting Bracket Base	AE-105522-03	AE-105522-03	AE-105522-03	AE-105522-03
41d		Attachment Screw (2)	63-22338-11	63-22338-11	63-22338-11	63-22338-11
41e		Attachment Screw (2)	63-22153-05	63-22153-05	63-22153-05	63-22153-05
41f		Poron Gasket (to be wrapped around strainer to separate from bracket)	68-42246-83	68-42246-83	68-42246-83	68-42246-83
16		Drain Pan Assembly (includes insulation and Brackets)	AS-105652-01	AS-105652-01	AS-105652-03	AS-105652-03
16a		Drain Pan Bracket - Left	AE-105835-01	AE-105835-01	AE-105835-01	AE-105835-01
16b		Drain Pan Bracket - Right	AE-105835-02	AE-105835-02	AE-105835-02	AE-105835-02

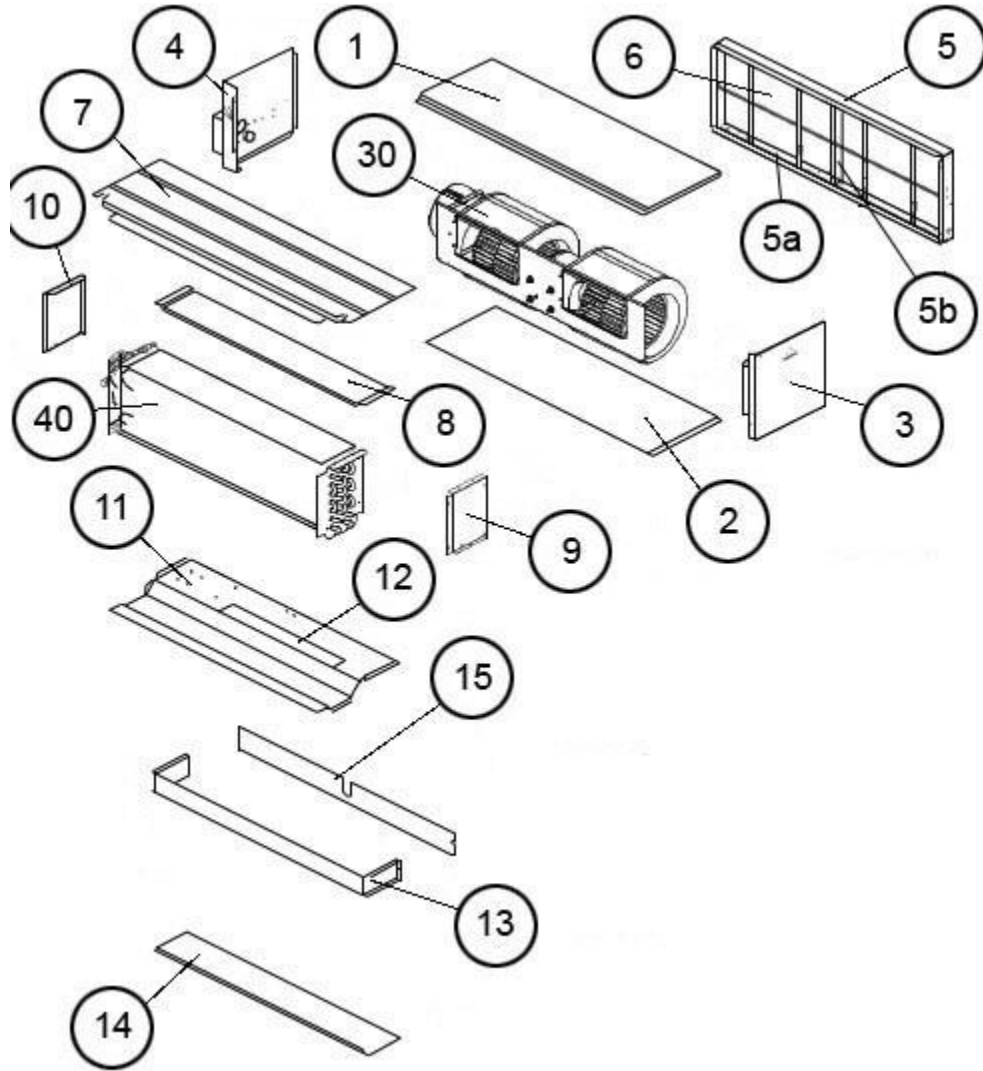
No.	Notes	MODEL CAPACITY/HEIGHT EFFICIENCY/METERING/SERIES/CONTROLS VOLTAGE/MINOR SERIES			EL3T 6017 STAC JA	
COIL GROUP						
40	Stk	Coil Assembly (does not include TXV/Distributor/Liquid Line Assembly)			AS-106274-05	
40a		End Plate Bracket			AE-106305-01	
40b		Filter Frame			AE-106384-01H	
41	Stk	TXV/Distributor/Liquid Line Assembly			61-106904-06	
12	Stk	Drain Pan Assembly (includes Insulation)			AS-106316-02	
12a		Drain Plug (2)			68-100070-02	

No.	Notes	MODEL CAPACITY/HEIGHT EFFICIENCY/METERING/SERIES/CONTROLS VOLTAGE/MINOR SERIES	EL3T 1812 SPBC JA/TA	EL3T 2212 SPBC JA	EL3T 2812 SPBC JA	EL3T 3212 SPBC JA
COIL GROUP						
40		Coil Assembly (does not include Flowcheck Distributor and Piston)	AS-106274-01	AS-106274-01	AS-106274-03	AS-106274-03
41a		Flowcheck Distributor/Piston Assembly	61-106404-48	61-106404-53	61-106404-61	61-106404-65
41b		Mounting Bracket Top	AE-105522-02	AE-105522-02	AE-105522-02	AE-105522-02
41c		Mounting Bracket Base	AE-105522-03	AE-105522-03	AE-105522-03	AE-105522-03
41d		Attachment Screw (2)	63-22338-11	63-22338-11	63-22338-11	63-22338-11
41e		Attachment Screw (2)	63-22153-05	63-22153-05	63-22153-05	63-22153-05
41f		Poron Gasket (to be wrapped around strainer to separate from bracket)	68-42246-83	68-42246-83	68-42246-83	68-42246-83
16		Drain Pan Assembly (includes insulation and Brackets)	AS-105652-01	AS-105652-01	AS-105652-03	AS-105652-03
16a		Drain Pan Bracket - Left	AE-107227-03	AE-107227-03	AE-107227-03	AE-107227-03
16b		Drain Pan Bracket - Right	AE-107227-04	AE-107227-04	AE-107227-04	AE-107227-04
16c		Spray Shield Bracket - Left	AE-107227-01	AE-107227-01	AE-107227-01	AE-107227-01
16d		Spray Shield Bracket - Right	AE-107227-02	AE-107227-02	AE-107227-02	AE-107227-02
19		Drain Pan Bracket - Bottom (not included in assembly)	AE-107228-01	AE-107228-01	AE-107228-01	AE-107228-01

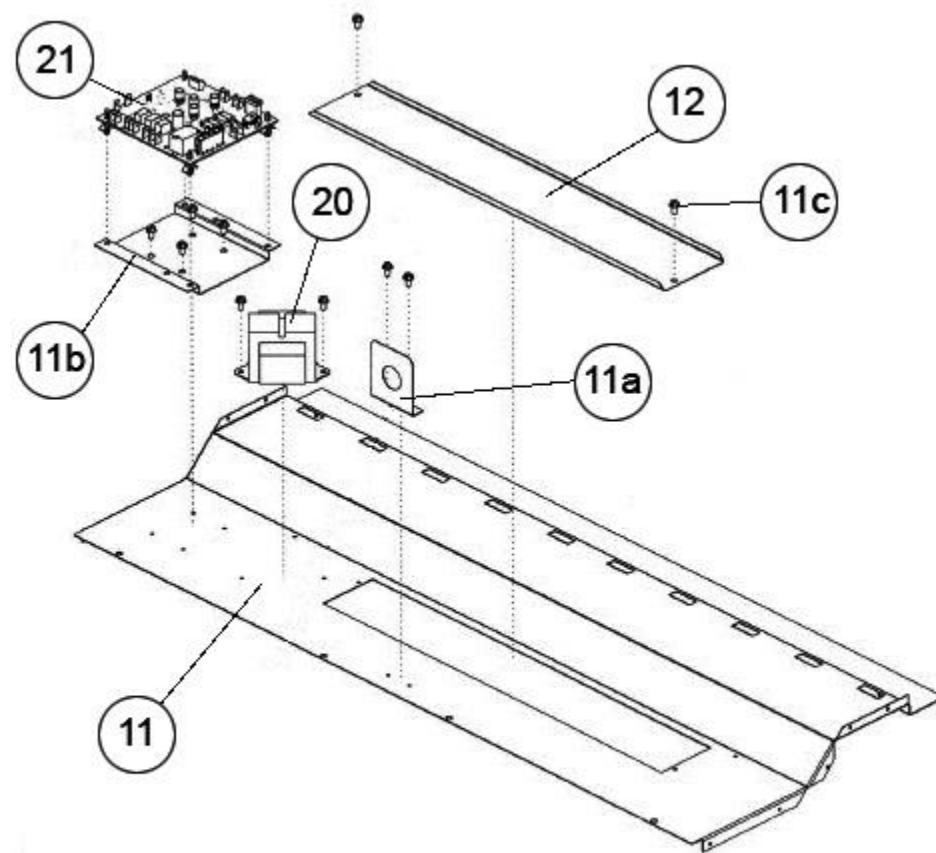
No.	Notes	MODEL CAPACITY/HEIGHT EFFICIENCY/METERING/SERIES/CONTROLS VOLTAGE/MINOR SERIES		EL3T 2412 SPBC TA	EL3T 3012 SPBC TA	EL3T 3612 SPBC TA
COIL GROUP						
40		Coil Assembly (does not include Flowcheck Distributor and Piston)		AS-106274-01	AS-106274-03	AS-106274-03
41a		Flowcheck Distributor/Piston Assembly		61-106404-51	61-106404-63	61-106404-65
41b		Mounting Bracket Top		AE-105522-02	AE-105522-02	AE-105522-02
41c		Mounting Bracket Base		AE-105522-03	AE-105522-03	AE-105522-03
41d		Attachment Screw (2)		63-22338-11	63-22338-11	63-22338-11
41e		Attachment Screw (2)		63-22153-05	63-22153-05	63-22153-05
41f		Poron Gasket (to be wrapped around strainer to separate from bracket)		68-42246-83	68-42246-83	68-42246-83
16		Drain Pan Assembly (includes insulation and Brackets)		AS-105652-01	AS-105652-03	AS-105652-03
16a		Drain Pan Bracket - Left		AE-107227-03	AE-107227-03	AE-107227-03
16b		Drain Pan Bracket - Right		AE-107227-04	AE-107227-04	AE-107227-04
16c		Spray Shield Bracket - Left		AE-107227-01	AE-107227-01	AE-107227-01
16d		Spray Shield Bracket - Right		AE-107227-02	AE-107227-02	AE-107227-02
19		Drain Pan Bracket - Bottom (not included in assembly)		AE-107228-01	AE-107228-01	AE-107228-01

No.	Notes	MODEL CAPACITY/HEIGHT EFFICIENCY/METERING/SERIES/CONTROLS VOLTAGE/MINOR SERIES	EL3T 4217 STAC JA	EL3T 4817 STAC JA	EL3T 5517 STAC JA	EL3T 6518 STAC JA
COIL GROUP						
40	Stk	Coil Assembly (does not include TXV/Distributor/Liquid Line Assembly)	AS-106274-04	AS-106274-05	AS-106274-05	AS-106274-06
40a		End Plate Bracket Right	AE-106305-01	AE-106305-01	AE-106305-01	AE-106305-04
40b		End Plate Bracket Left	AE-106305-01	AE-106305-01	AE-106305-01	AE-106305-03
40b		Filter Frame	AE-106384-01H	AE-106384-01H	AE-106384-01H	AE-106384-03H
41	Stk	TXV/Distributor/Liquid Line Assembly	61-106904-05	61-106904-01	61-106904-06	61-106904-07
12	Stk	Drain Pan Assembly (includes Insulation)	AS-107343-01	AS-107343-02	AS-107343-02	AS-107343-03
12a		Drain Plug (2)	68-100070-02	68-100070-02	68-100070-02	68-100070-02

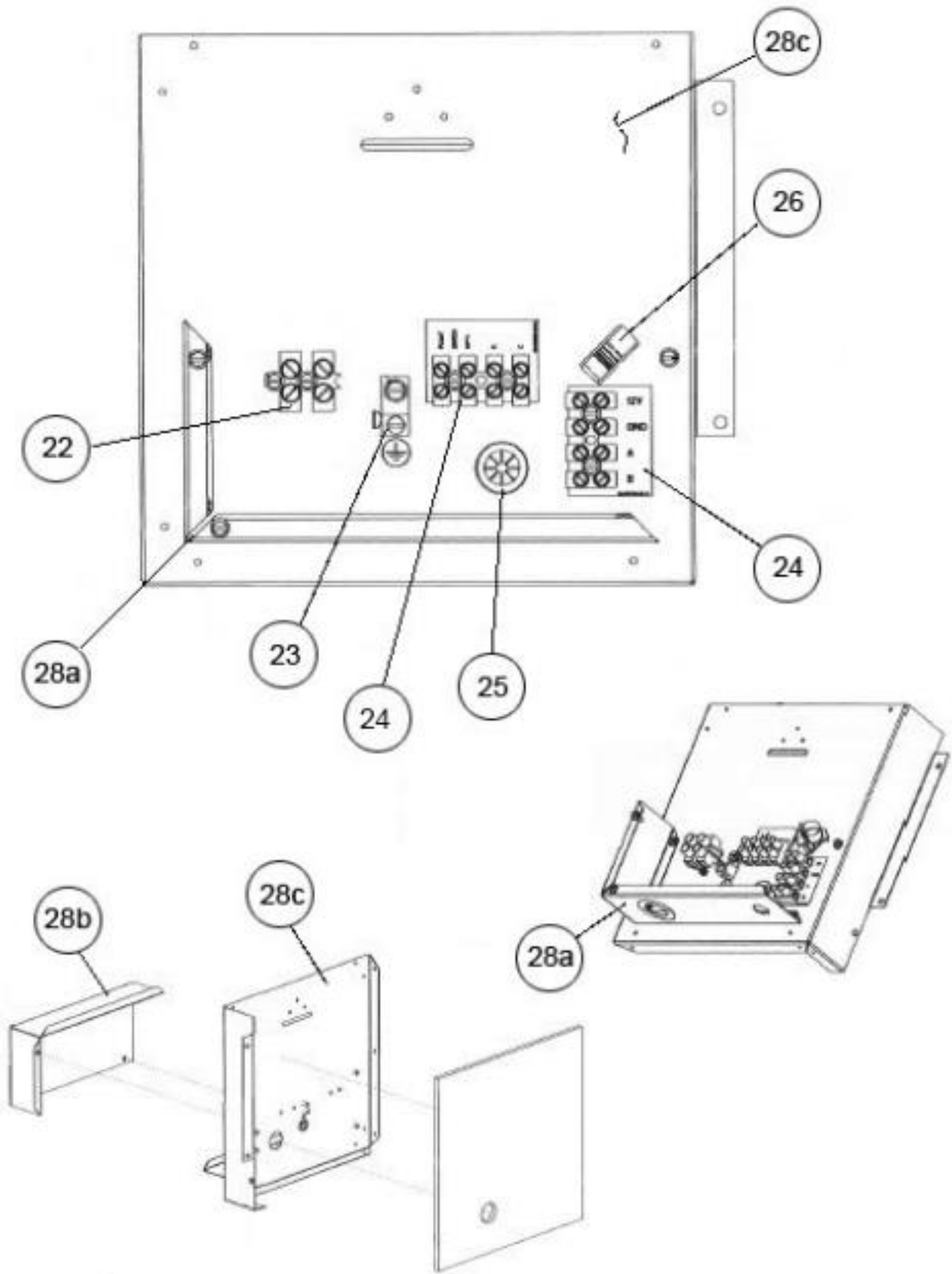
No.	Notes	MODEL CAPACITY/HEIGHT EFFICIENCY/METERING/SERIES/CONTROLS VOLTAGE/MINOR SERIES	EL3T 4217 STAC TA	EL3T 4817 STAC TA	EL3T 6017 STAC TA	EL3T 6518 STAC TA
COIL GROUP						
40	Stk	Coil Assembly (does not include TXV/Distributor/Liquid Line Assembly)	AS-106274-04	AS-106274-05	AS-106274-05	AS-106274-06
40a		End Plate Bracket Right	AE-106305-01	AE-106305-01	AE-106305-01	AE-106305-04
40b		End Plate Bracket Left	AE-106305-01	AE-106305-01	AE-106305-01	AE-106305-03
40c		Filter Frame	AE-106384-01H	AE-106384-01H	AE-106384-01H	AE-106384-03H
41	Stk	TXV/Distributor/Liquid Line Assembly	61-106904-04	61-106904-01	61-106904-03	61-106904-02
12	Stk	Drain Pan Assembly (includes insulation)	AS-106316-01	AS-106316-02	AS-106316-02	AS-106316-03
12a		Drain Plug (2)	68-100070-02	68-100070-02	68-100070-02	68-100070-02



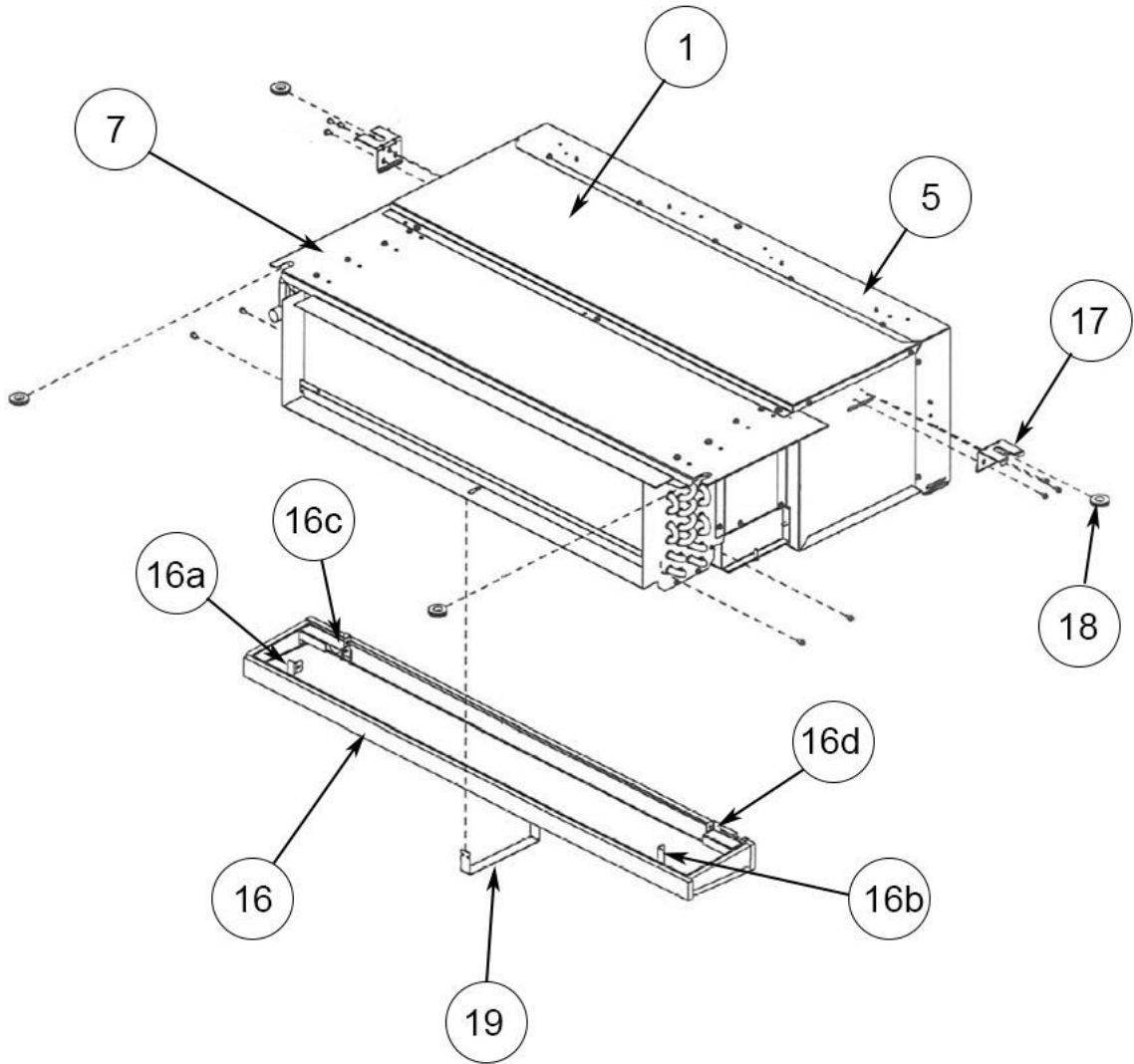
Exploded View 1812-3612SP



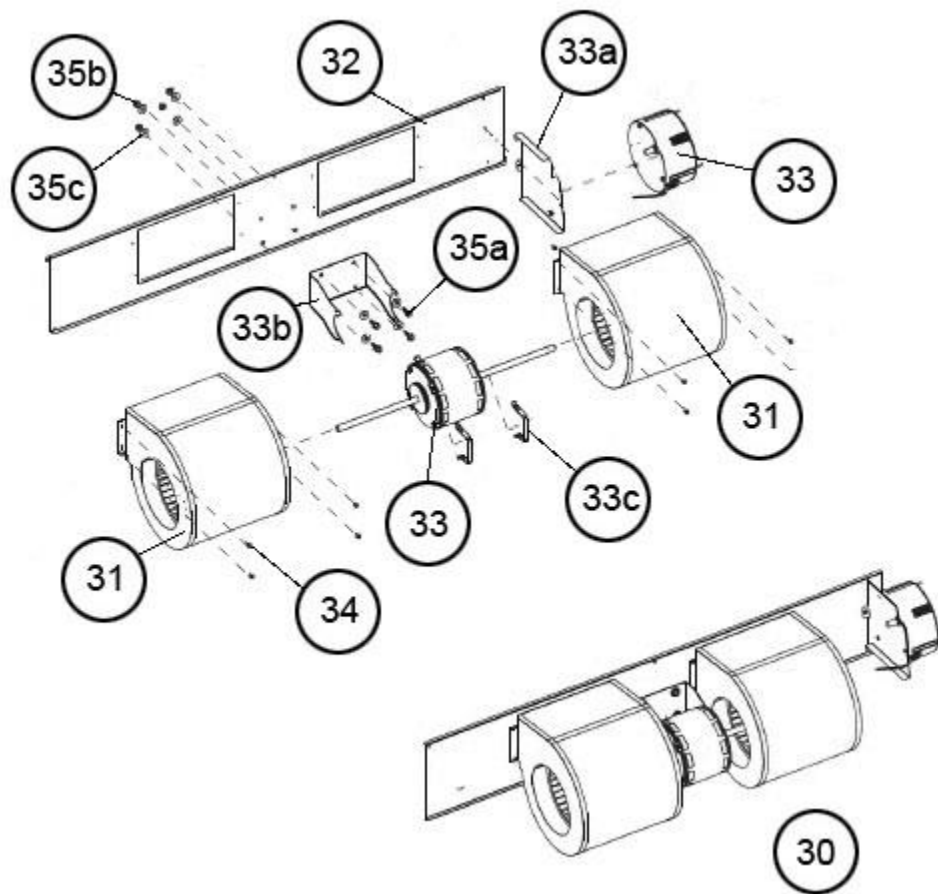
Control Panel Assembly 1812-3612SP



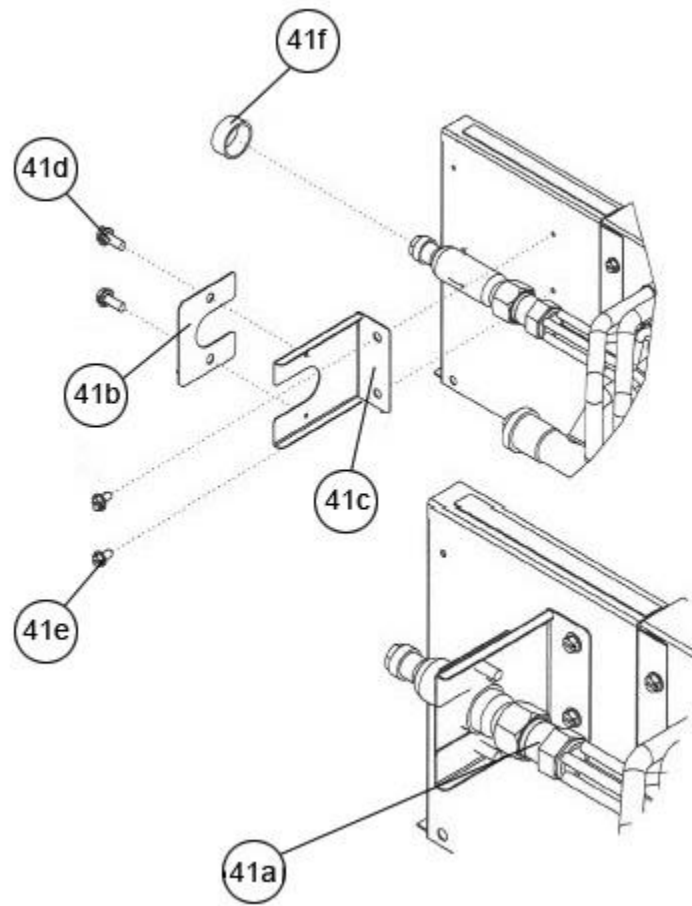
Right Panel Assembly 1812-3612SP



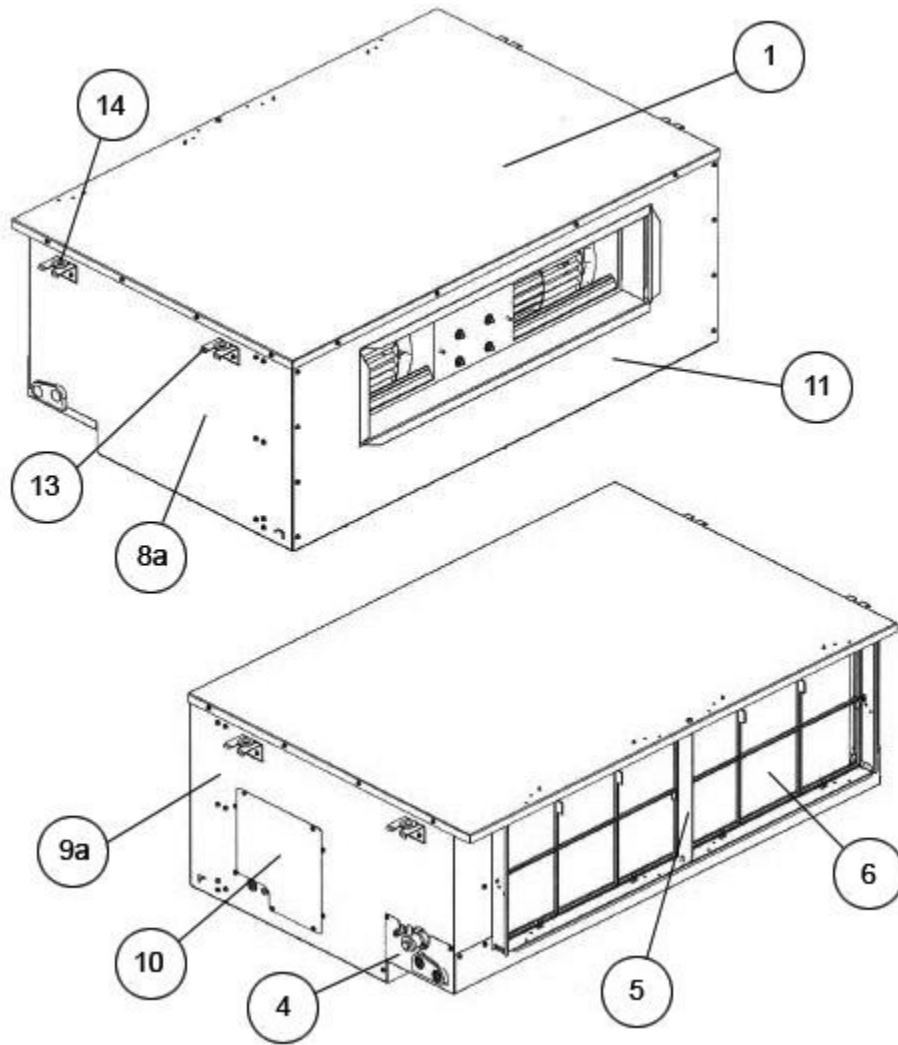
Drain Pan, Brackets 1812-3612SP



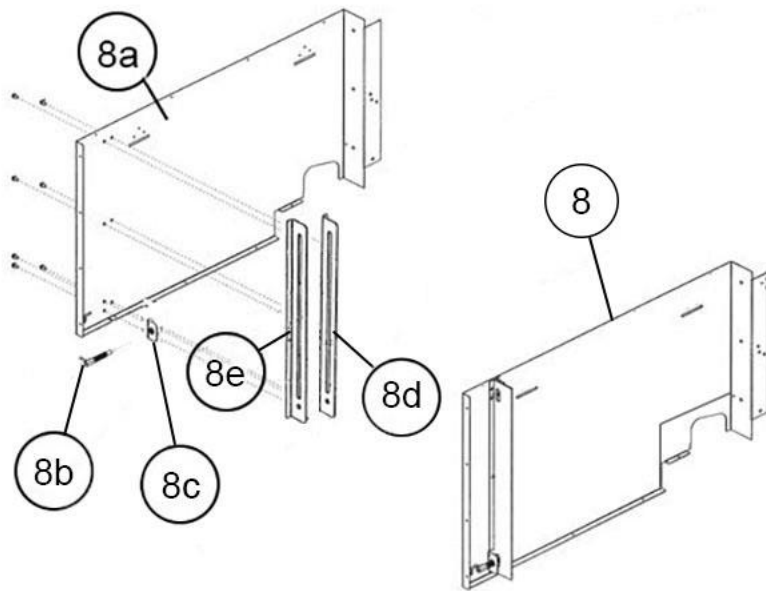
Blower Assembly 1812-3612SP



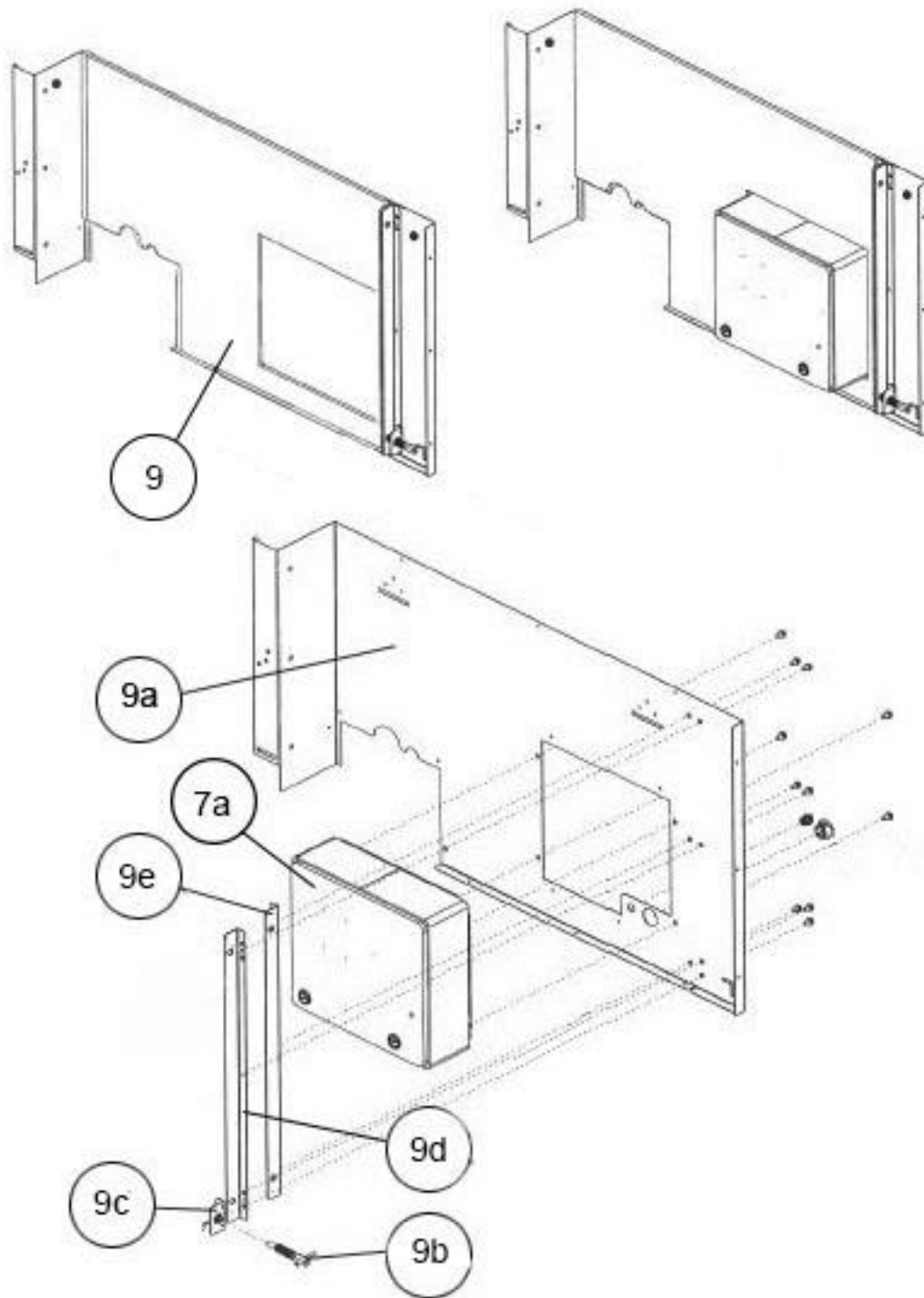
Strainer Bracket 1812-3612SP



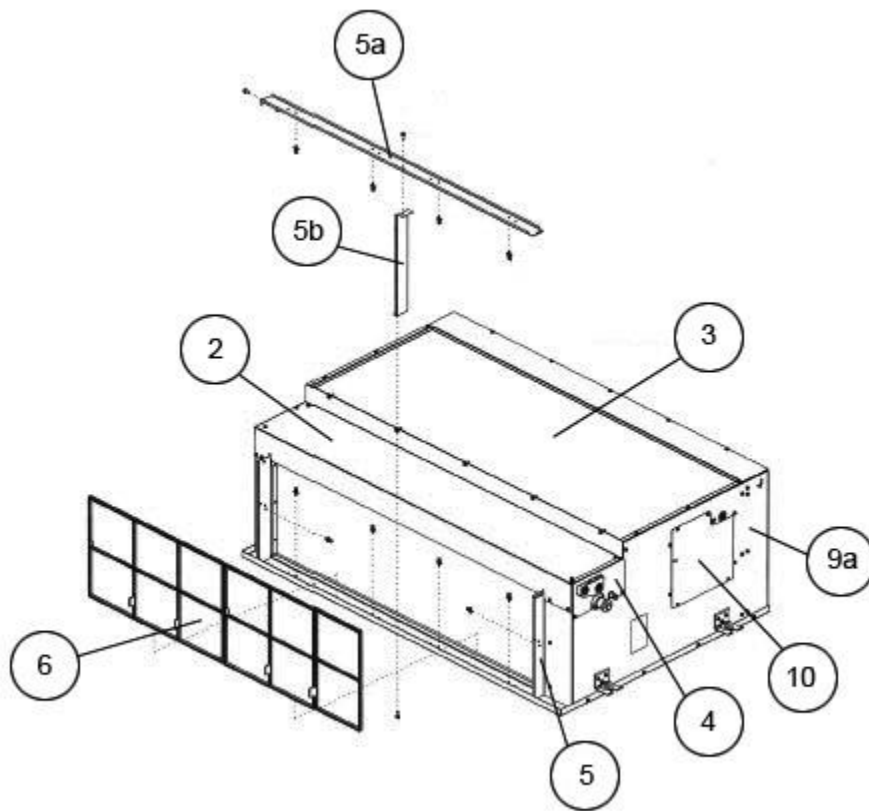
Exterior Panels 4217-6518ST



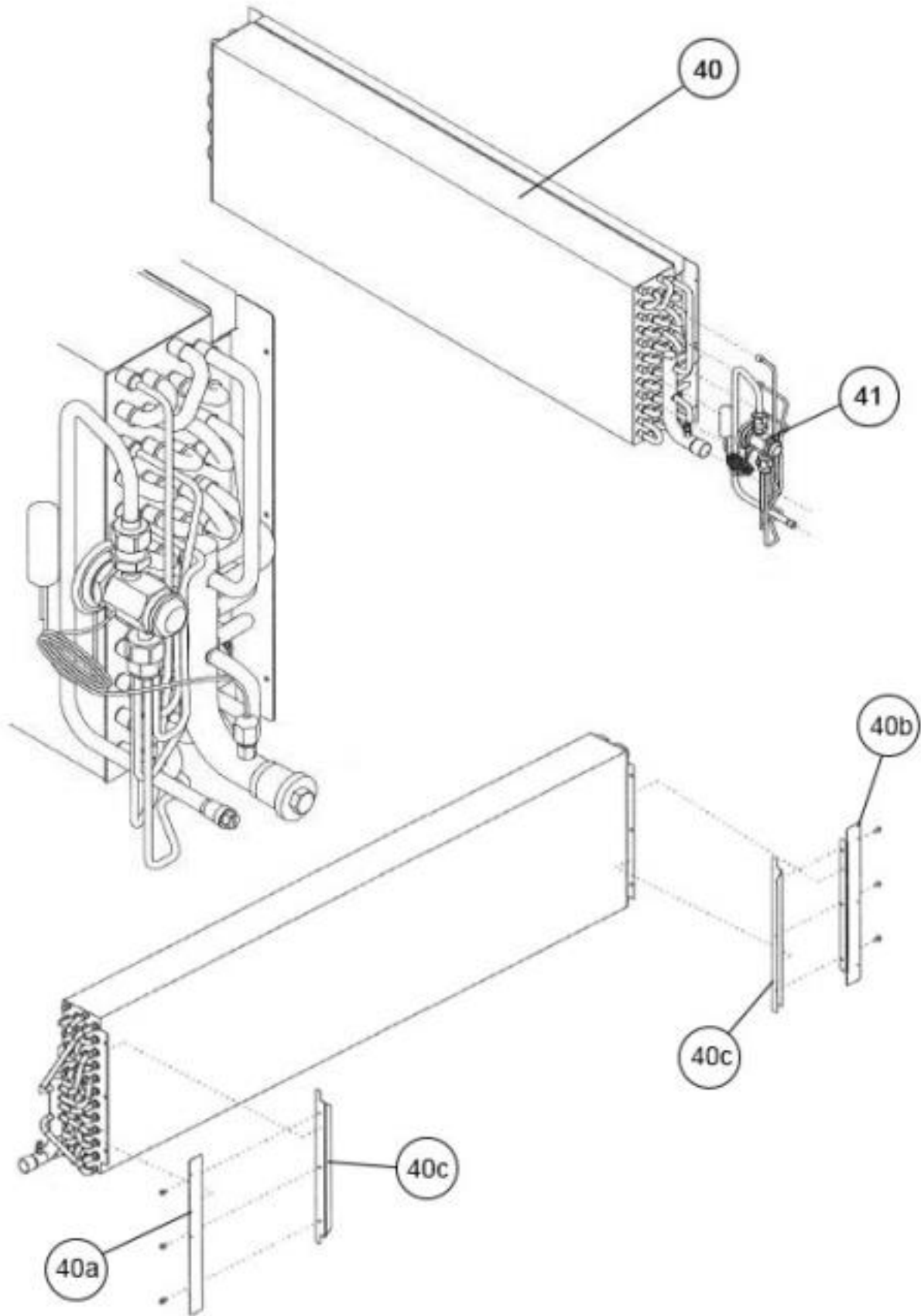
Left Panel Assembly 4217-6518ST



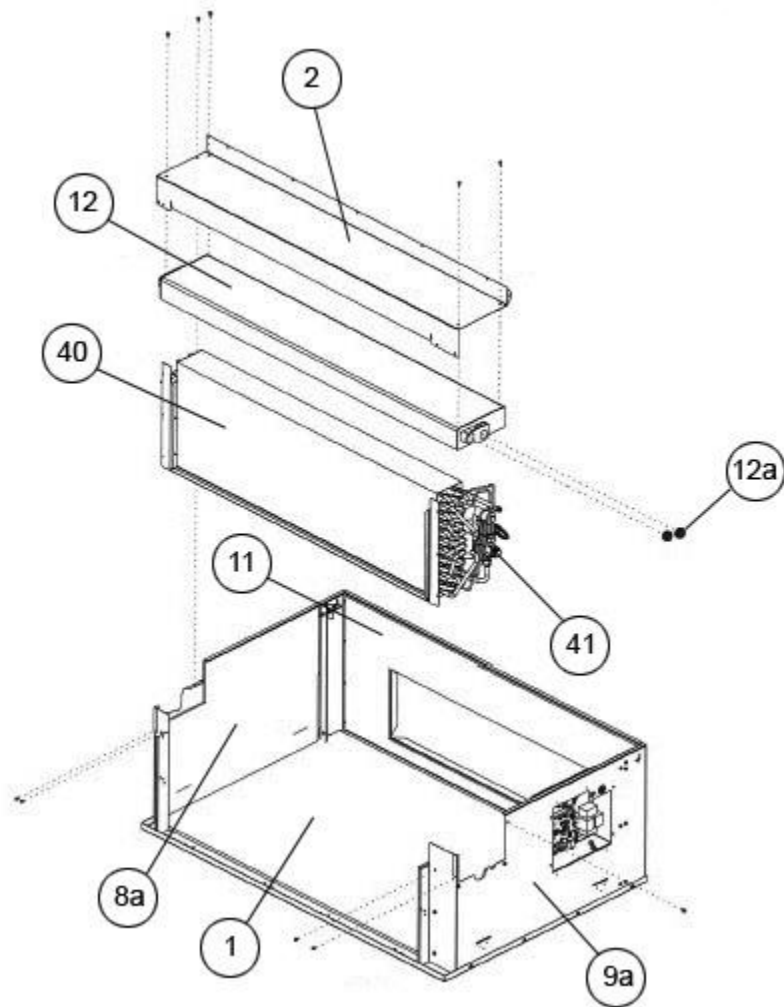
Right Panel Assembly 4217-6518ST



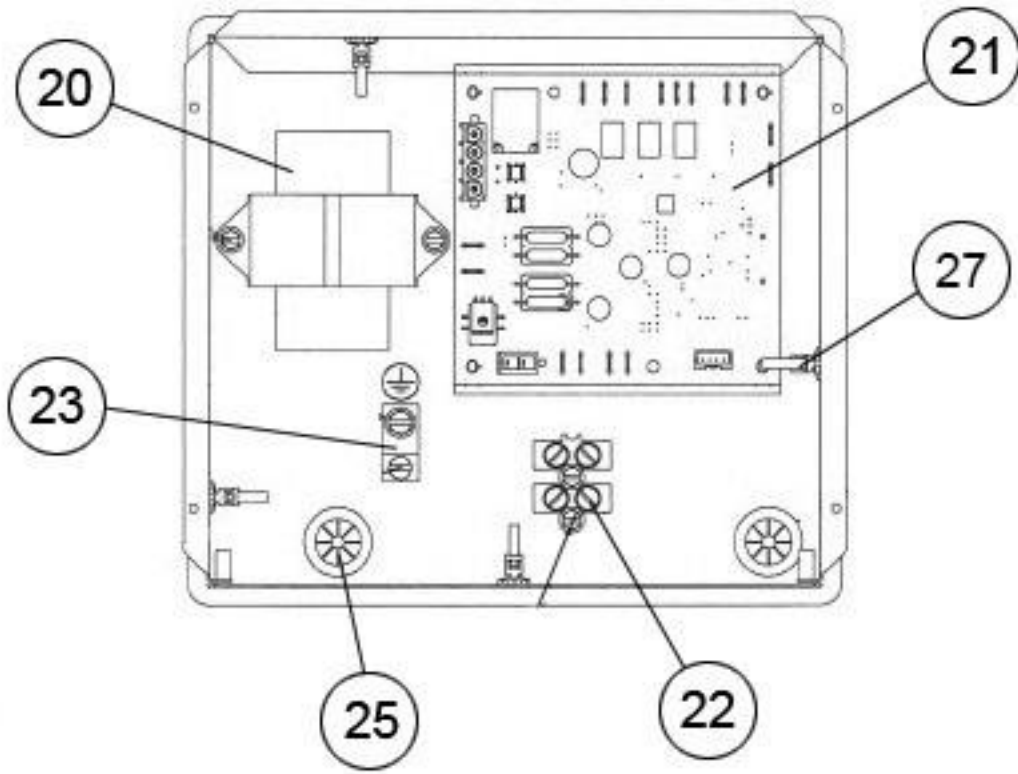
Filter Frame Assembly 4217-6518ST



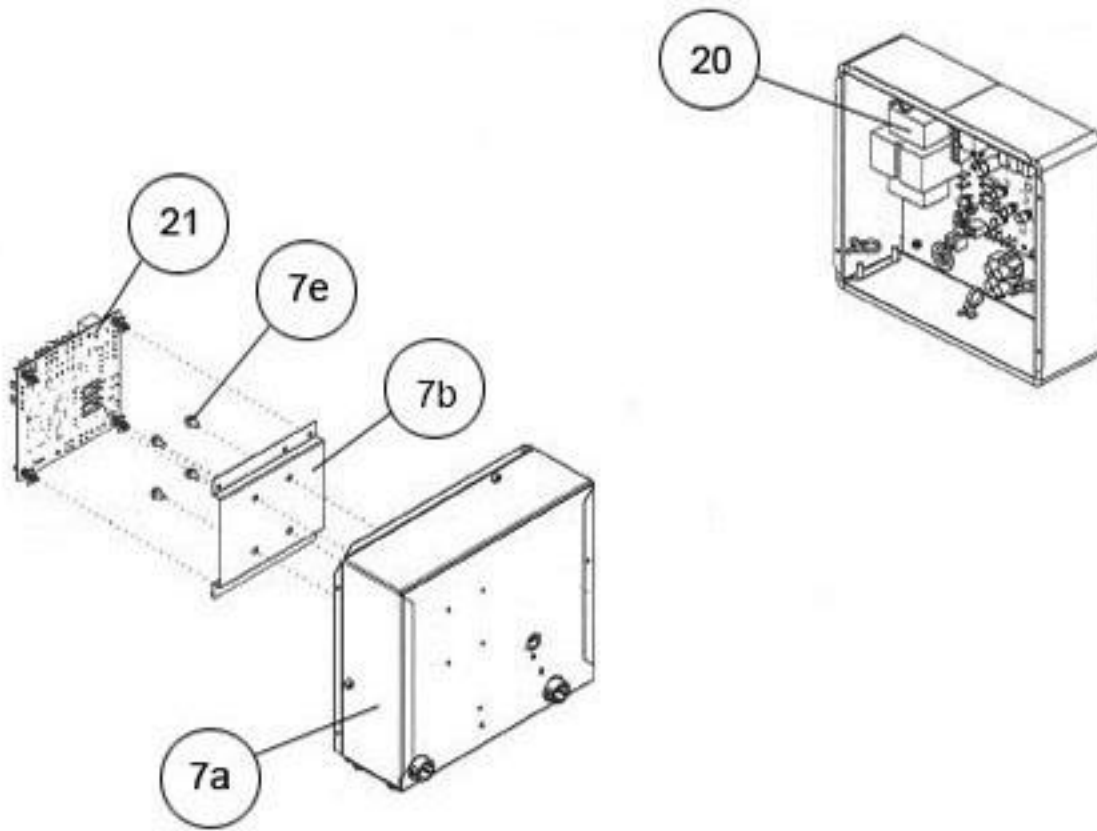
TXV, Distributor 4217-6518ST



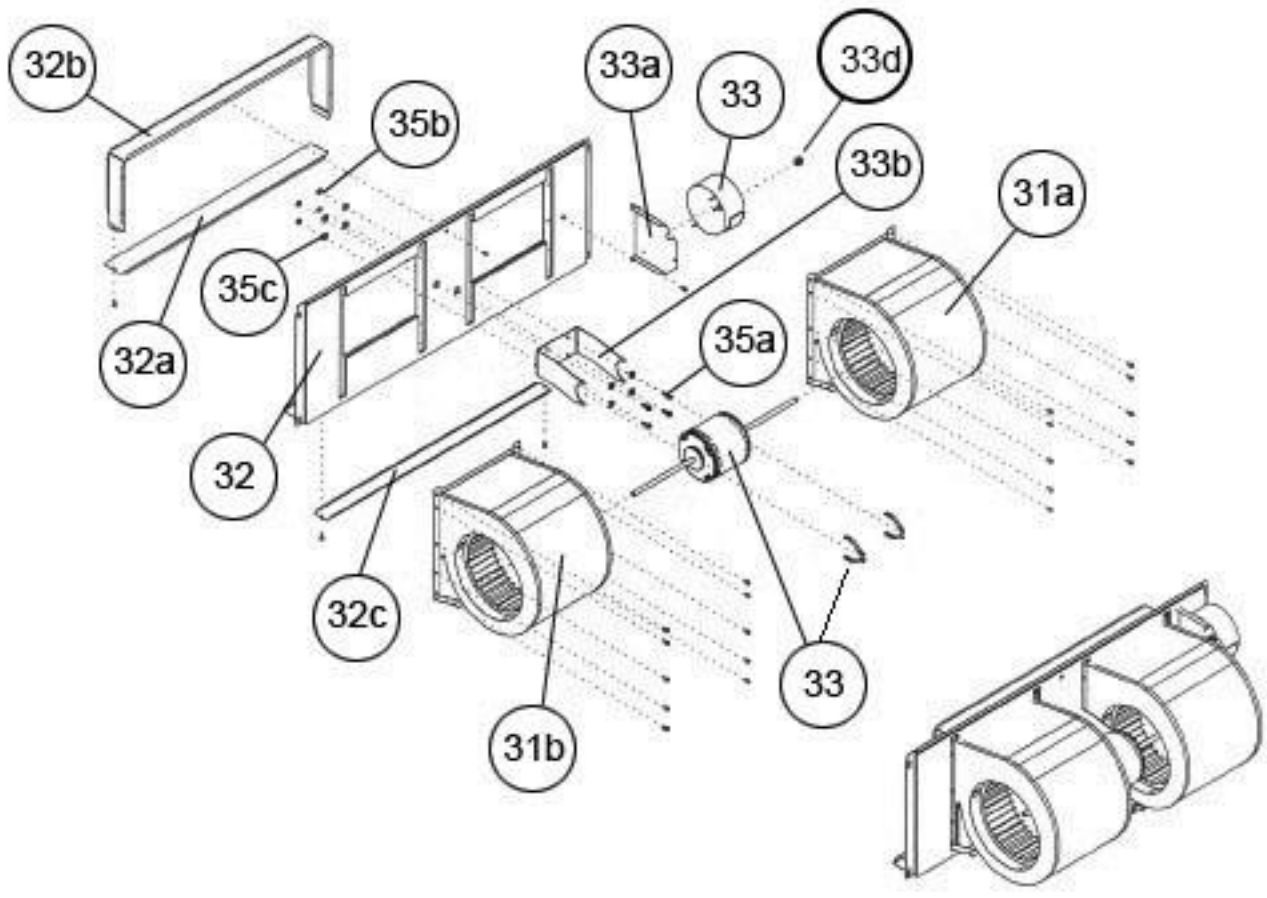
Coil Assembly 4217-6518ST



Control Box 4217-6518ST



Control Box Assy 4217-6518ST



Blower Assembly 4217-6518ST

NOTES

Stk It is recommended that stock be maintained for this part.
N/A Not Applicable

DISCLAIMER: This document is intended to provide general replacement parts information to aid qualified service personnel in the repair of these models. The complete Model and Serial Number of the unit under repair should be specified when selecting and ordering replacement parts. Specifications and illustrations are subject to change without notice. Document 92-42802-EL3T supersedes all previous parts lists for these models. See <http://www.rheempartslists.net/92-42802-EL3T> for the latest revision of this document. The manufacturer assumes no obligation for errors or omissions. Service personnel must verify the proper and safe operation of equipment after the replacement of any original components.



SAGN

Parts List
08-July-2019



*This parts list is current as of the above revision date.
See <http://www.rheempartslists.net/92-42802-SAGN.pdf> for the current revision.*

Condensing Units

Table of Contents

Model Explanation	Page 3
Parts Numbers	
Panels (1)	Page 4
Panels (2)	Page 5
Electrical-Fan Group (1)	Page 6
Electrical-Fan Group (2)	Page 7
Coil Parts (1)	Page 8
Coil Parts (2)	Page 9
Compressor Group	Page 10
Accessories	Page 11
Drawings/Photographs	
Exploded View	Page 12
Control Box	Page 13
Valve Mounting Detail	Page 14
Notes/Disclaimer	Page 15

MODEL NUMBER EXPLANATION

S	A	G	N	-	0	1	8	J	A	035
1	2	3	4		5			6	7	8

- | | |
|--------------------------------------------------------------------------------------------------------------------------------------------------------------------------------------------------------------------------------------------------------------------------------------------------------------------------------------------------------------------------------------------------------------|--------------------------------------------------------------------------------------------------------------------------------------------------------------------------------------------------------------------------------------------------------------------------------------------------------------------------------|
| <p>1 EXPORT</p> <p>2 MODEL
A = Condensing Unit</p> <p>3 TYPE
13 SEER</p> <p>4 DESIGN SERIES / VARIATION
L = First Design Series</p> <p>5 COOLING CAPACITY
018 = 18,000 BTU/HR
024 = 24,000 BTU/HR
030 = 30,000 BTU/HR
036 = 36,000 BTU/HR
042 = 42,000 BTU/HR
048 = 48,000 BTU/HR
060 = 60,000 BTU/HR
065 = 65,000 BTU/HR</p> | <p>6 ELECTRICAL DESIGNATION
J = 208-230/1/60
T = 220-240/1/50
N = 380-415/3/50</p> <p>7 VARIATION
A = Full Metal Jacket
S = Oil Separator</p> <p>8 OPTIONS
000 = No Options
011 = Time Delay Relay
035 = Gold Coated Fins
A35 = Time Delay Relay/Gold Coated Fins</p> |
|--------------------------------------------------------------------------------------------------------------------------------------------------------------------------------------------------------------------------------------------------------------------------------------------------------------------------------------------------------------------------------------------------------------|--------------------------------------------------------------------------------------------------------------------------------------------------------------------------------------------------------------------------------------------------------------------------------------------------------------------------------|

SERIAL NUMBER EXPLANATION

W	0	8	1	3	9	9	9	9
(1)	(2)		(3)		(4)			

- (1) **PLANT CODE**
W = NUEVO LAREDO (WEST)
- (2) **WEEK OF PRODUCTION**
- (3) **YEAR OF PRODUCTION**
- (4) **PRODUCTION NUMBER**

Note: For Compressor Identification Number, see Compressor Code on Rating Plate

No.	Notes	MODEL COOLING CAPACITY VOLTAGE VARIATION	SAGN	SAGN	SAGN	SAGN
			-018 J A	-024 J A	-030 J A	-036 J A
SHEET METAL PARTS, MISCELLANEOUS						
1		Cabinet	AE-100726-86	AE-100726-81	AE-100726-87	AE-100726-82
2		Cabinet Panel	AE-100727-85	AE-100727-85	AE-100727-88	AE-100727-82
3		Base Pan	AE-100069-01	AE-100069-01	AE-100069-02	AE-100069-02
4		Control Box	AE-100654-81	AE-100654-81	AE-100654-81	AE-100654-81
5		Control Box Cover	AE-100657-81	AE-100657-81	AE-100657-81	AE-100657-81
6		Top Panel	AE-100652-81	AE-100652-81	AE-100652-82	AE-100652-82
8		Grille	95-102925-01	95-102925-01	95-102925-03	95-102925-03
		Center Cap - Blank (for Grille)	91-101123-09	91-101123-09	91-101123-09	91-101123-09
		Nameplate	91-103297-08	91-103297-08	91-103297-08	91-103297-08
12		Valve Mounting Panel	AE-57780-01	AE-57780-01	AE-57780-01	AE-57780-01
14		Service Valve - Suction	See Coil Group			
15		Service Valve - Liquid	See Coil Group			
17		Low Voltage Cover	AE-57756-01	AE-57756-01	AE-57756-01	AE-57756-01
		Touch-up Paint - Granite/Steel Gray (Aerosol)	PD523018	PD523018	PD523018	PD523018
		Touch-up Paint - Granite/Steel Gray (Paint Pens)	PD523019	PD523019	PD523019	PD523019

No.	Notes	MODEL COOLING CAPACITY VOLTAGE VARIATION	SAGN	SAGN	SAGN	
			-042 J A	-048 J A	-060 J A	
SHEET METAL PARTS, MISCELLANEOUS						
1		Cabinet	AE-100726-82	AE-100726-83	AE-100726-84	
2		Cabinet Panel	AE-100727-82	AE-100727-83	AE-100727-89	
3		Base Pan	AE-100069-02	AE-101588-03	AE-101588-03	
4		Control Box	AE-100654-82	AE-100654-82	AE-100654-84	
5		Control Box Cover	AE-100657-81	AE-100657-81	AE-100657-81	
6		Top Panel	AE-100652-82	AE-100652-83	AE-100652-83	
8		Grille	95-103944-01	95-102925-04	95-102925-04	
		Center Cap - Blank (for Grille)	91-101123-09	91-101123-09	91-101123-09	
		Nameplate	91-103297-08	91-103297-08	91-103297-08	
12		Valve Mounting Panel	AE-57780-01	AE-57780-01	AE-100185-81	
14		Service Valve - Suction	See Coil Group			
15		Service Valve - Liquid	See Coil Group			
17		Low Voltage Cover	AE-57756-01	AE-57756-01	AE-57756-01	
		Touch-up Paint - Granite/Steel Gray (Aerosol)	PD523018	PD523018	PD523018	
		Touch-up Paint - Granite/Steel Gray (Paint Pens)	PD523019	PD523019	PD523019	

No.	Notes	MODEL COOLING CAPACITY VOLTAGE VARIATION	SAGN -018 T A	SAGN -024 T A	SAGN -030 T A	SAGN -036 T A
SHEET METAL PARTS, MISCELLANEOUS						
1		Cabinet	AE-100726-81	AE-100726-81	AE-100726-84	AE-100726-84
2		Cabinet Panel	AE-100727-85	AE-100727-85	AE-100727-89	AE-100727-84
3		Base Pan	AE-100069-01	AE-100069-01	AE-101588-03	AE-101588-03
4		Control Box (Before W2519)	AE-100654-81	AE-100654-81	AE-100654-84	AE-100654-83
		Control Box (On or After W2519)	AE-100654-81	AE-100654-81	AE-100654-84	AS-100654-84H T
5		Control Box Cover	AE-100657-81	AE-100657-81	AE-100657-81	AE-100657-81
6		Top Panel	AE-100652-81	AE-100652-81	AE-100652-83	AE-100652-83
8		Grille	95-102925-01	95-102925-01	95-102925-04	95-103704-04
		Center Cap - Blank (for Grille)	91-101123-09	91-101123-09	91-101123-09	91-101123-09
		Nameplate	91-103297-08	91-103297-08	91-103297-08	91-103297-08
12		Valve Mounting Panel	AE-57780-01	AE-57780-01	AE-100185-81	AE-100185-81
14		Service Valve - Suction	See Coil Group			
15		Service Valve - Liquid	See Coil Group			
17		Low Voltage Cover	AE-57756-01	AE-57756-01	AE-57756-01	AE-57756-01
		Touch-up Paint - Granite/Steel Gray (Aerosol)	PD523018	PD523018	PD523018	PD523018
		Touch-up Paint - Granite/Steel Gray (Paint Pens)	PD523019	PD523019	PD523019	PD523019

No.	Notes	MODEL COOLING CAPACITY VOLTAGE VARIATION	SAGN -036 N A	SAGN -042 N A	SAGN -048 N A	SAGN -060 N A
SHEET METAL PARTS, MISCELLANEOUS						
1		Cabinet	AE-100726-84	AE-100726-84	AE-100726-84	AE-100726-84
2		Cabinet Panel	AE-100727-84	AE-100727-84	AE-100727-84	AE-100727-84
3		Base Pan	AE-101588-03	AE-101588-03	AE-101588-03	AE-101588-03
4		Control Box	AE-100654-83	AE-100654-83	AE-100654-83	AE-100654-83
5		Control Box Cover	AE-100657-81	AE-100657-81	AE-100657-81	AE-100657-81
6		Top Panel	AE-100652-83	AE-100652-83	AE-100652-83	AE-100652-83
8		Grille (Before W2519)	95-103704-04	95-103704-04	95-103704-06	95-103704-04
		Grille (On or After W2519)	95-103704-04	95-103704-04	95-103704-04	95-103704-04
		Center Cap - Blank (for Grille)	N/A	91-101123-17	91-101123-09	N/A
		Nameplate	91-103297-08	91-23415-66	91-103297-08	91-103297-08
12		Valve Mounting Panel	AE-100185-81	AE-100185-81	AE-100185-81	AE-100185-81
14		Service Valve - Suction	See Coil Group			
15		Service Valve - Liquid	See Coil Group			
17		Low Voltage Cover	AE-57756-01	AE-57756-01	AE-57756-01	AE-57756-01
		Touch-up Paint - Granite/Steel Gray (Aerosol)	PD523018	PD523018	PD523018	PD523018
		Touch-up Paint - Granite/Steel Gray (Paint Pens)	PD523019	PD523019	PD523019	PD523019

No.	Notes	MODEL COOLING CAPACITY VOLTAGE VARIATION	SAGN -065 N A			
SHEET METAL PARTS, MISCELLANEOUS						
1		Cabinet	AE-100726-84			
2		Cabinet Panel	AE-100727-84			
3		Base Pan	AE-101588-03			
4		Control Box	AE-100654-83			
5		Control Box Cover	AE-100657-81			
6		Top Panel	AE-100652-83			
8		Grille	95-103704-04			
		Center Cap - Blank (for Grille)	N/A			
		Nameplate	91-103297-08			
12		Valve Mounting Panel	AE-100185-81			
14		Service Valve - Suction	See Coil Group			
15		Service Valve - Liquid	See Coil Group			
17		Low Voltage Cover	AE-57756-01			
		Touch-up Paint - Granite/Steel Gray (Aerosol)	PD523018			
		Touch-up Paint - Granite/Steel Gray (Paint Pens)	PD523019			

No.	Notes	MODEL COOLING CAPACITY VOLTAGE VARIATION	SAGN -018 J A	SAGN -024 J A	SAGN -030 J A	SAGN -036 J A
ELECTRICAL/FAN GROUP						
7	Stk	Fan Motor	51-104691-01	51-104691-01	51-104691-02	51-102008-02
9	Stk	Fan Blade	70-102033-08	70-102033-08	70-102011-16	70-102011-16
16	Stk	Contactora	42-103377-01	42-103377-01	42-103377-01	42-103377-01
17		Low Voltage Cover	See Panels - Miscellaneous			
18		Control Box Bottom	AE-100655-01	AE-100655-01	AE-100655-01	AE-100655-01
19		Capacitor - Compressor/Fan	See Compressor Group			

No.	Notes	MODEL COOLING CAPACITY VOLTAGE VARIATION	SAGN -018 T A	SAGN -024 T A	SAGN -030 T A	SAGN -036 T A
ELECTRICAL/FAN GROUP						
7	Stk	Fan Motor (Before W2519)	51-104691-01	51-104691-01	51-101774-46	51-102728-13
	Stk	Fan Motor (On or After W2519)	51-104691-01	51-104691-01	51-102008-02	51-102008-07
9	Stk	Fan Blade (Before W2519)	70-102033-08	70-102033-08	70-102011-03	70-104092-01
	Stk	Fan Blade On or After W2519)	70-102033-08	70-102033-08	70-102011-26	70-101323-50
16	Stk	Contactora	42-102664-05	42-102664-05	42-102664-05	42-102664-05
		Time Delay Relay (Options 011, A35)	42-22655-02	42-22655-02	42-22655-02	42-22655-02
17		Low Voltage Cover	See Panels - Miscellaneous			
18		Control Box Bottom	AE-100655-01	AE-100655-01	AE-100655-01	AE-100655-01
19		Capacitor - Compressor/Fan	See Compressor Group			

No.	Notes	MODEL COOLING CAPACITY VOLTAGE VARIATION	SAGN -042 J A	SAGN -048 J A	SAGN -060 J A	
ELECTRICAL/FAN GROUP						
7	Stk	Fan Motor	51-102008-07	51-102008-07	51-102008-07	
9	Stk	Fan Blade	70-101323-19	70-102011-10	70-102011-10	
16	Stk	Contactora	42-103377-01	42-102664-10	42-102664-10	
17		Low Voltage Cover	See Panels - Miscellaneous			
18		Control Box Bottom	AE-100655-01	AE-100655-01	AE-100655-01	
19		Capacitor - Compressor/Fan	See Compressor Group			

No.	Notes	MODEL COOLING CAPACITY VOLTAGE VARIATION	SAGN	SAGN	SAGN	SAGN
			-036 N A	-042 N A	-048 N A	-060 N A
ELECTRICAL/FAN GROUP						
7	Stk	Fan Motor (Before W2519)	51-102713-08	51-102713-10	51-100998-20	51-102713-05
	Stk	Fan Motor (On or After W2519)	51-102713-08	51-102713-10	51-102713-10	51-102713-05
7	Stk	Fan Motor (Options 035, A35) (Before W2519)	51-102713-08	51-102713-10	51-100998-20	51-100998-20
	Stk	Fan Motor (Options 035, A35) (On or After W2519)	51-102713-08	51-102713-10	51-102713-10	51-100998-20
9	Stk	Fan Blade (Before W2519)	70-102011-03	70-102011-24	70-104092-01	70-104092-01
	Stk	Fan Blade (On or After W2519)	70-102011-03	70-102011-24	70-101323-49	70-104092-01
16	Stk	Contactactor (Options 000, 035, A35)	42-102664-08	42-102664-08	42-102664-08	42-102664-08
16	Stk	Contactactor (Options 011)	42-102664-05	42-102664-08	42-102664-08	42-102664-08
		Time Delay Relay (Options 011, A35)	42-22655-02	42-22655-02	42-22655-02	42-22655-02
17		Low Voltage Cover	See Panels - Miscellaneous			
18		Control Box Bottom	AE-100655-01	AE-100655-01	AE-100655-01	AE-100655-01
19		Capacitor - Compressor/Fan	See Compressor Group			

No.	Notes	MODEL COOLING CAPACITY VOLTAGE VARIATION	SAGN			
			-065 N A			
ELECTRICAL/FAN GROUP						
7	Stk	Fan Motor	51-42534-33			
9	Stk	Fan Blade	70-101323-30			
9	Stk	Fan Blade (Option A35)	70-104092-01			
16	Stk	Contactactor	42-102664-08			
		Time Delay Relay (Options 011, A35)	42-22655-02			
17		Low Voltage Cover	See Panels - Miscellaneous			
18		Control Box Bottom	AE-100655-01			
19		Capacitor - Compressor/Fan	See Compressor Group			

No.	Notes	MODEL COOLING CAPACITY VOLTAGE VARIATION	SAGN -018 J A	SAGN -024 J A	SAGN -030 J A	SAGN -036 J A
COIL GROUP						
11	Stk	Condenser Coil	AS-103938-03	AS-103165-03	AS-103940-03	AS-103941-03
13		Valve Mounting Bracket	AE-57781-01	AE-57781-01	AE-57781-01	AE-57781-01
14		Service Valve - Suction	61-21368-07	61-21368-07	61-21368-07	61-21368-07
15		Service Valve - Liquid	61-21368-25	61-21368-25	61-21368-25	61-21368-25
		Pressure Controls	See Accessories Group			
		Filter Drier	83-22755-12	83-22755-12	83-22755-12	83-22755-12

No.	Notes	MODEL COOLING CAPACITY VOLTAGE VARIATION	SAGN -018 T A	SAGN -024 T A	SAGN -030 T A	SAGN -036 T A
COIL GROUP (Options 035/A35)						
11	Stk	Condenser Coil	AS-106509-03	AS-106509-03	AS-106512-03	AS-106513-03
13		Valve Mounting Bracket	AE-57781-01	AE-57781-01	AE-57781-01	AE-57781-02
14		Service Valve - Suction	61-21368-07	61-21368-07	61-21368-07	61-104025-08
15		Service Valve - Liquid	61-21368-25	61-21368-25	61-21368-25	61-21368-25
		Pressure Controls	See Compressor Group			
		Filter Drier	83-22755-06	83-22755-06	83-22755-06	83-22755-06

No.	Notes	MODEL COOLING CAPACITY VOLTAGE VARIATION	SAGN -042 J A	SAGN -048 J A	SAGN -060 J A	
COIL GROUP						
11	Stk	Condenser Coil	AS-101599-03	AS-104069-03	AS-103942-03	
13		Valve Mounting Bracket	AE-57781-02	AE-57781-02	AE-57781-02	
14		Service Valve - Suction	61-104025-08	61-104025-08	61-104025-08	
15		Service Valve - Liquid	61-21368-25	61-21368-25	61-21368-25	
		Pressure Controls	See Accessories Group			
		Filter Drier	83-22755-12	83-22755-12	83-22755-12	

No.	Notes	MODEL COOLING CAPACITY VOLTAGE VARIATION	SAGN -036 N A	SAGN -042 N A	SAGN -048 N A	SAGN -060 N A
COIL GROUP						
11	Stk	Condenser Coil	AS-103081-03	AS-102241-03	AS-103081-03	AS-102980-01
13		Valve Mounting Bracket	AE-57781-02	AE-57781-02	AE-57781-02	AE-57781-02
14		Service Valve - Suction	61-104025-08	61-104025-08	61-104025-08	61-104025-08
15		Service Valve - Liquid	61-21368-25	61-21368-25	61-21368-25	61-21368-25
		Pressure Controls	See Accessories Group			
		Filter Drier	83-22755-06	83-22755-06	83-22755-06	83-22755-06

No.	Notes	MODEL COOLING CAPACITY VOLTAGE VARIATION	SAGN -036 N A	SAGN -042 N A	SAGN -048 N A	SAGN -060 N A
COIL GROUP (Options 035/A35)						
11	Stk	Condenser Coil (Gold Coated Fins)	AS-106513-03	AS-104730-03	AS-106945-03	AS-107112-01
13		Valve Mounting Bracket	AE-57781-02	AE-57781-02	AE-57781-02	AE-57781-02
14		Service Valve - Suction	61-104025-08	61-104025-08	61-104025-08	61-104025-08
15		Service Valve - Liquid	61-21368-25	61-21368-25	61-21368-25	61-21368-25
		Pressure Controls	See Accessories Group			
		Filter Drier	83-22755-06	83-22755-06	83-22755-06	83-22755-06

No.	Notes	MODEL COOLING CAPACITY VOLTAGE VARIATION	SAGN -065 N A			
COIL GROUP						
11	Stk	Condenser Coil	AS-102980-01			
13		Valve Mounting Bracket	AE-57781-02			
14		Service Valve - Suction	61-104025-08			
15		Service Valve - Liquid	61-21368-25			
		Pressure Controls	See Accessories Group			
		Filter Drier	83-22755-06			

No.	Notes	MODEL COOLING CAPACITY VOLTAGE VARIATION	SAGN -065 N A			
COIL GROUP (Options 035/A35)						
11	Stk	Condenser Coil (Gold Coated Fins)	AS-107112-01			
13		Valve Mounting Bracket	AE-57781-02			
14		Service Valve - Suction	61-104025-08			
15		Service Valve - Liquid	61-21368-25			
		Pressure Controls	See Accessories Group			
		Filter Drier	83-22755-06			

No.	Notes	MODEL COOLING CAPACITY VOLTAGE VARIATION	SAGN -018 J A	SAGN -024 J A	SAGN -030 J A	SAGN -036 J A
COMPRESSOR GROUP						
		Compressor ID:	8897	8898	8899	8900
10	Stk	Compressor	55-102045-82S	55-102045-24S	55-102045-31S	55-102045-03S
		Compressor Bolt (4)	63-20072-17	63-20072-17	63-20072-17	63-20072-17
19	Stk	Capacitor - Compressor/Fan	43-101665-03	43-101665-04	43-101665-07	43-101665-41
		Compressor Wiring Harness (Molded Plug)	45-100834-80	45-100834-80	45-100834-80	45-100834-80

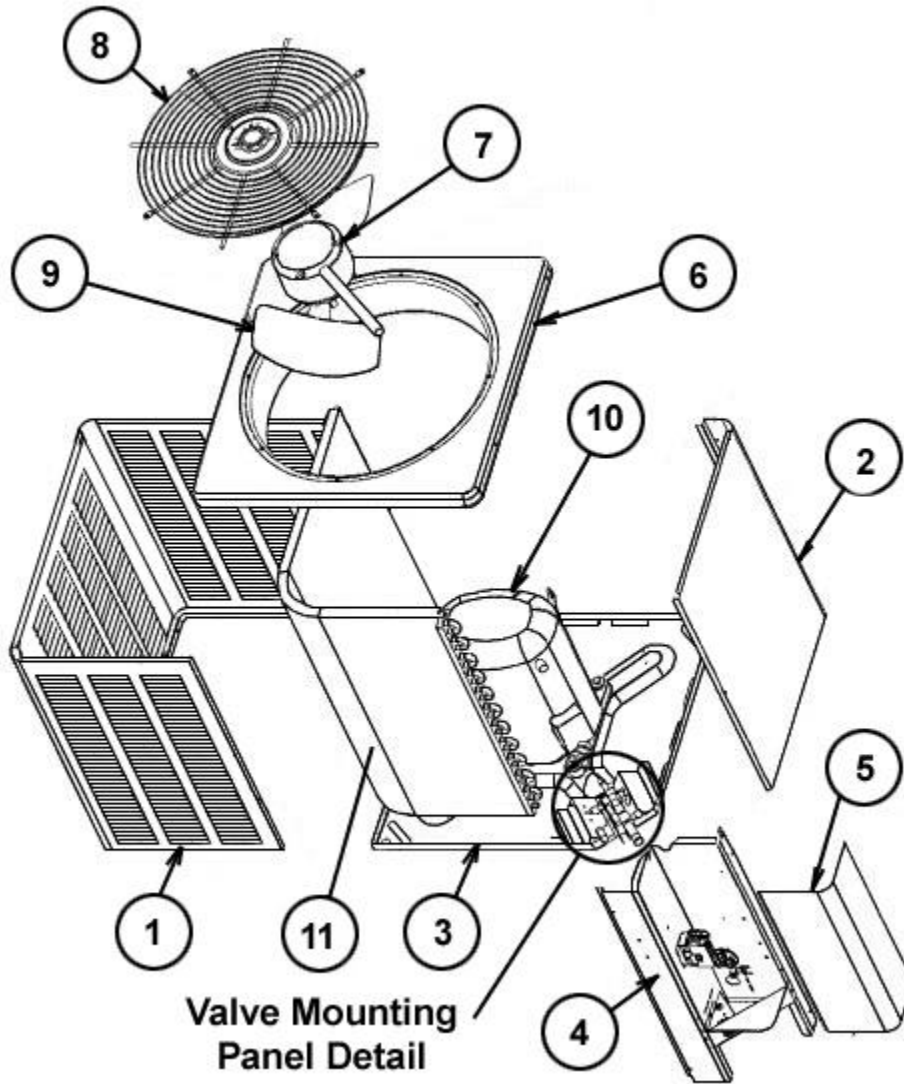
No.	Notes	MODEL COOLING CAPACITY VOLTAGE VARIATION	SAGN -018 T A	SAGN -024 T A	SAGN -030 T A	SAGN -036 T A
COMPRESSOR GROUP						
		Compressor ID:	9215	9216	9217	9218
10	Stk	Compressor	55-102045-56S	55-102045-153	55-102045-50S	55-102045-51S
		Compressor Bolt (4)	63-20072-03	63-20072-03	63-20072-03	63-20072-03
19	Stk	Capacitor - Compressor (Before W2519)	N/A	N/A	N/A	43-101666-72
19	Stk	Capacitor - Compressor/Fan (Before W2519)	43-101665-07	43-101665-07	43-101665-19	N/A
		Capacitor - Compressor/Fan (On or After W2519)	43-101665-07	43-101665-07	43-101665-19	43-101665-39
		Compressor Wiring Harness (Molded Plug)	45-100834-80	45-100834-80	45-100834-80	45-100834-80

No.	Notes	MODEL COOLING CAPACITY VOLTAGE VARIATION	SAGN -042 J A	SAGN -048 J A	SAGN -060 J A	
COMPRESSOR GROUP						
		Compressor ID:	8901	8902	8903	
10	Stk	Compressor	55-102045-15S	55-102045-09S	55-102045-26S	
		Compressor Bolt (4)	63-20072-17	63-20072-17	63-20072-17	
19	Stk	Capacitor - Compressor/Fan	43-101665-48	43-101665-47	43-101665-47	
		Compressor Wiring Harness (Molded Plug)	45-100834-80	45-100834-80	45-100834-80	

No.	Notes	MODEL COOLING CAPACITY VOLTAGE VARIATION	SAGN -036 N A	SAGN -042 N A	SAGN -048 N A	SAGN -060 N A
COMPRESSOR GROUP						
		Compressor ID:	9550	9315	9441	9510
10	Stk	Compressor	55-102045-136 S	55-102045-94S	55-102045-94S	55-102045-169 S
		Compressor Bolt (4)	63-20072-03	63-20072-03	63-20072-03	63-20072-03
19	Stk	Capacitor - Fan (Before W2519)	43-101666-61	43-101666-60	43-101666-64	43-101666-65
	Stk	Capacitor - Fan (On or After W2519)	43-101666-61	43-101666-60	43-101666-59	43-101666-65
		Compressor Wiring Harness (Molded Plug)	45-100834-80	45-100834-80	45-100834-80	45-100834-80
		Compressor ID:		9497		
10	Stk	Compressor		55-102045-137 S		
		Compressor Bolt (4)		63-20072-03		
19	Stk	Capacitor - Fan		43-101666-60		
		Compressor Wiring Harness (Molded Plug)		45-100834-80		

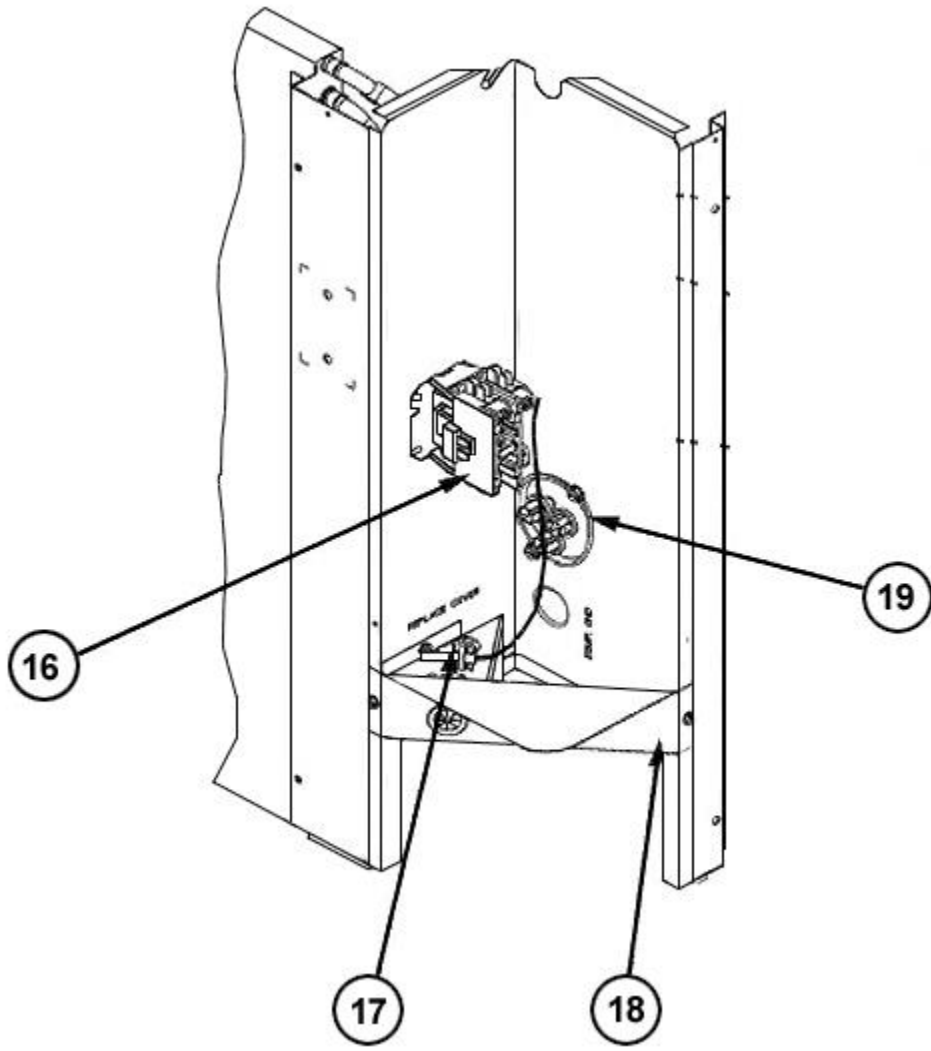
No.	Notes	MODEL COOLING CAPACITY VOLTAGE VARIATION	SAGN -065 N A			
COMPRESSOR GROUP						
		Compressor ID:	9549			
10	Stk	Compressor	55-102471-16S			
		Compressor Bolt (4)	63-20072-03			
19	Stk	Capacitor - Fan	43-101666-60			
		Compressor Wiring Harness (Molded Plug)	45-100834-80			

No.	Notes	MODEL COOLING CAPACITY VOLTAGE VARIATION	SAGN ALL ALL ALL
ACCESORIES			
		Low Ambient Control	RXAD-A08
		Compressor Time Delay Control	RXMD-B01
		High Pressure Control	RXAB-A07
		Low Pressure Control	RXAC-A07

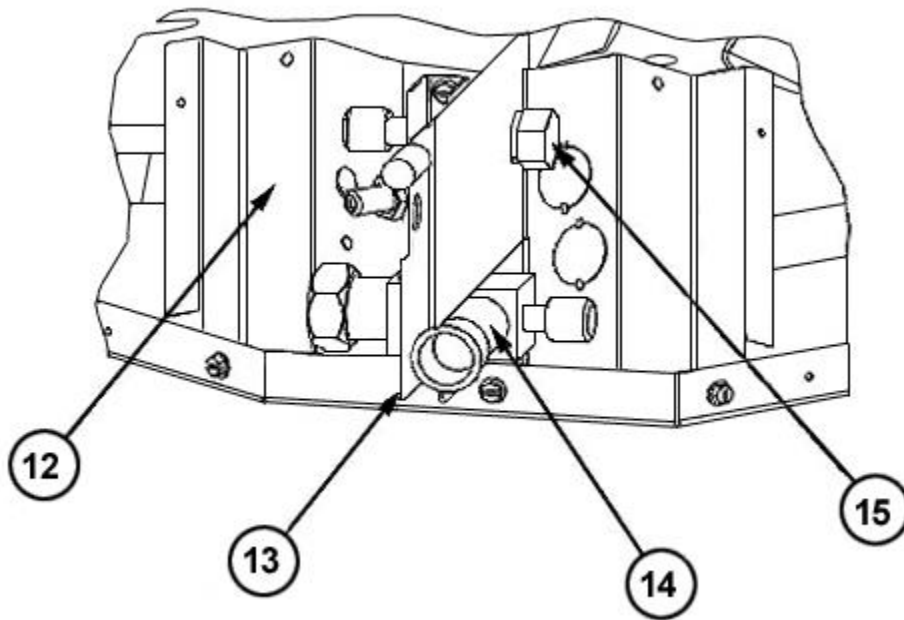


**Valve Mounting
Panel Detail**

Exploded View



Control Box



Valve Mounting Detail

NOTES

Stk It is recommended that stock be maintained for this part.
N/A Not Applicable

DISCLAIMER: This document is intended to provide general replacement parts information to aid qualified service personnel in the repair of these models. The complete Model and Serial Number of the unit under repair should be specified when selecting and ordering replacement parts. Specifications and illustrations are subject to change without notice. Document 92-42802-SAGN supersedes all previous parts lists for these models. See <http://www.rheempartslists.net/92-42802-SAGN> for the latest revision of this document. The manufacturer assumes no obligation for errors or omissions. Service personnel must verify the proper and safe operation of equipment after the replacement of any original components.