



EA14

Parts List
31-July-2017



*This parts list is current as of the above revision date.
See <http://www.rheempartslists.net/92-42802-EA14.pdf> for the current revision.*

Condensing Units

Table of Contents

Model Explanation	Page 3
Parts Numbers	
Panels	Page 4
Electrical-Fan Group	Page 5
Coil Parts	Page 6
Compressor Group	Page 7
Accessories	Page 8
Drawings/Photographs	
Exploded View	Page 9
Control Box	Page 10
Valve Mounting, Compressor	Page 11
Notes/Disclaimer	Page 12

MODEL NUMBER EXPLANATION

E	A	1	4	3	6	A	J	1	N	B	030
1	2	3		4		5	6	7	8	9	10

- | | |
|--------------------------------------------------------------------------------------------------------------------------------------------------------------------------------------------------------------------------------------------------------------------------------------------------------------------|---------------------------------------------------------------------------------------------------------------------------------------------------------------------------------------------------------------------------------------------------------------------------------------------------------------------------------------------------------------------------------------------------------------------|
| <p>(1) Brand
E = Rheem Export</p> <p>(2) Product Category
A = Air Conditioner</p> <p>(3) Seer
14 = 14 SEER</p> <p>(4) COOLING CAPACITY (BTU/HR)
018 = 18,000
024 = 24,000
030 = 30,000
036 = 36,000
042 = 42,000
048 = 48,000
060 = 60,000</p> | <p>(5) MAJOR SERIES
A = First Design Series</p> <p>(6) VOLTAGE
J = 208-230/1/60
C = 208-230/3/60
D = 460/3/60
Y = 575/3/60</p> <p>(7) TYPE
1 = Single Stage</p> <p>(8) CONTROLS
N = Non-Communicating</p> <p>(9) MINOR SERIES
A = First Design Series
B = Second Design Series (LPC/HPC)</p> <p>(10) OPTIONS
030 = SASO Units</p> |
|--------------------------------------------------------------------------------------------------------------------------------------------------------------------------------------------------------------------------------------------------------------------------------------------------------------------|---------------------------------------------------------------------------------------------------------------------------------------------------------------------------------------------------------------------------------------------------------------------------------------------------------------------------------------------------------------------------------------------------------------------|

SERIAL NUMBER EXPLANATION

W	0	8	1	3	9	9	9	9
(1)	(2)		(3)		(4)			

- (1) **PLANT CODE**
W = West Nuevo Laredo
- (2) **WEEK OF PRODUCTION**
- (3) **YEAR OF PRODUCTION**
- (4) **PRODUCTION NUMBER**

Note: For Compressor Identification Number, see Compressor Code on Rating Plate

No.	Notes	MODEL COOLING CAPACITY VARIATION	EA14	EA14	EA14	EA14
			18 AJ1NB030	24 AJ1NB030	30 AJ1NB030	36 AJ1NB030
SHEET METAL PARTS, MISCELLANEOUS						
1		Front Panel	AE-104456-07	AE-104456-07	AE-104456-01	AE-104456-03
2		Left Panel (Badge Panel)	AE-104456-09	AE-104456-09	AE-104456-12	AE-104456-21
3		Back Panel	AE-104456-08	AE-104456-08	AE-104456-02	AE-104456-04
4		Right Panel	AE-104456-10	AE-104456-07	AE-104456-01	AE-104456-03
5		Base Pan	68-104457-01	68-104457-01	68-104457-01	68-104457-02
6		Control Box	AE-104461-05	AE-104461-05	AE-104461-05	AE-104461-05
7		Control Box Cover	AS-104462-01H	AS-104462-01H	AS-104462-01H	AS-104462-01H
8		Control Box Bracket	AS-104460-01H	AS-104460-01H	AS-104460-02H	AS-104460-02H
9		Service Door	AS-104525-01H	AS-104525-01H	AS-104525-01H	AS-104525-01H
10		Center Post (2)	AS-104459-01H	AS-104459-01H	AS-104459-03H	AS-104459-03H
12		Corner Post - Solid	AS-104469-08H (1)	N/A	N/A	N/A
12		Corner Post - Louvered	AS-104469-01H (2)	AS-104469-01H (3)	AS-104469-02H (3)	AS-104469-02H (3)
13		Top Panel	AS-104458-01H	AS-104458-01H	AS-104458-01H	AS-104458-02H
14		Venturi	68-104464-02	68-104464-02	68-104464-02	68-104464-04
15		Grille	95-104620-01	95-104620-01	95-104620-01	95-104620-02
		Center Cap (for Grille)	91-101123-17	91-101123-17	91-101123-17	91-101123-17
		Badge (for Left Panel)	91-104924-02	91-104924-02	91-104924-02	91-104924-02
		Service Valve - Suction	See Coil Group			
		Service Valve - Liquid	See Coil Group			
		Touch-up Paint - Granite/Steel Gray (Aerosol)	PD523018	PD523018	PD523018	PD523018
		Touch-up Paint - Granite/Steel Gray (Paint Pens)	PD523019	PD523019	PD523019	PD523019

No.	Notes	MODEL COOLING CAPACITY VARIATION	EA14	EA14	EA14	
			42 AJ1NB030	48 AJ1NB030	60 AJ1NB030	
SHEET METAL PARTS, MISCELLANEOUS						
1		Front Panel	AE-104456-22	AE-104456-35	AE-104456-38	
2		Left Panel (Badge Panel)	AE-104456-24	AE-104456-37	AE-104456-40	
3		Back Panel	AE-104456-23	AE-104456-36	AE-104456-39	
4		Right Panel	AE-104456-22	AE-104456-35	AE-104456-38	
5		Base Pan	68-104457-02	68-104457-03	68-104457-03	
6		Control Box	AE-104461-05	AE-104461-05	AE-104461-05	
7		Control Box Cover	AS-104462-01H	AS-104462-01H	AS-104462-01H	
8		Control Box Bracket	AS-104460-03H	AS-104460-03H	AS-104460-04H	
9		Service Door	AS-104525-01H	AS-104525-01H	AS-104525-01H	
10		Center Post (2)	AS-104459-05H	AS-104459-05H	AS-104459-07H	
12		Corner Post - Louvered	AS-104469-03H (3)	AS-104469-03H (3)	AS-104469-04H (3)	
13		Top Panel	AS-104458-02H	AS-104458-03H	AS-104458-03H	
14		Venturi	68-104464-04	68-104464-05	68-104464-05	
15		Grille	95-104620-02	95-104620-03	95-104620-03	
		Center Cap (for Grille)	91-101123-17	91-101123-17	91-101123-17	
		Badge (for Left Panel)	91-104924-02	91-104924-02	91-104924-02	
		Service Valve - Suction	See Coil Group			
		Service Valve - Liquid	See Coil Group			
		Touch-up Paint - Granite/Steel Gray (Aerosol)	PD523018	PD523018	PD523018	
		Touch-up Paint - Granite/Steel Gray (Paint Pens)	PD523019	PD523019	PD523019	

No.	Notes	MODEL COOLING CAPACITY VARIATION	EA14	EA14	EA14	EA14
			18 AJ1NB030	24 AJ1NB030	30 AJ1NB030	36 AJ1NB030
ELECTRICAL/FAN GROUP						
20	Stk	Fan Motor	51-101774-21	51-104691-04	51-104691-06	51-101774-52
21	Stk	Fan Blade	70-101323-24	70-101323-37	70-101323-25	70-102011-12
22	Stk	Contactora	42-102664-05	42-102664-05	42-102664-05	42-102664-05
23		Capacitor	See Compressor Group			
23a		Capacitor Strap	AE-104562-01	AE-104562-01	AE-104562-01	AE-104562-01
25		Crankcase Heater	See Compressor Group			
26		Grounding Lug	45-19000-01	45-19000-01	45-19000-01	45-19000-01
		Low Ambient Control	See Accessories Group			
27	Stk	Low Pressure Control (Design Series 'B')	47-103670-08	47-103670-08	47-103670-08	47-103670-08
27a		Valve Body - Low Pressure Control	61-18542-01	61-18542-01	61-18542-01	61-18542-01
28	Stk	High Pressure Control (Design Series 'B')	47-102290-01	47-102290-01	47-102290-01	47-102290-01

No.	Notes	MODEL COOLING CAPACITY VARIATION	EA14	EA14	EA14	
			42 AJ1NB030	48 AJ1NB030	60 AJ1NB030	
ELECTRICAL/FAN GROUP						
20	Stk	Fan Motor	51-104691-04	51-101774-51	51-101774-12	
21	Stk	Fan Blade	70-102011-09	70-101323-27	70-101323-28	
22	Stk	Contactora	42-102664-05	42-102664-10	42-102664-10	
23		Capacitor	See Compressor Group			
23a		Capacitor Strap	AE-104562-01	AE-104562-01	AE-104562-01	
25		Crankcase Heater	See Accessories Group			
26		Grounding Lug	45-19000-01	45-19000-01	45-19000-01	
		Low Ambient Control	See Accessories Group			
27	Stk	Low Pressure Control (Design Series 'B')	47-103670-08	47-103670-08	47-103670-08	
27a		Valve Body - Low Pressure Control	61-18542-01	61-18542-01	61-18542-01	
28	Stk	High Pressure Control (Design Series 'B')	47-102290-01	47-102290-01	47-102290-01	

No.	Notes	MODEL COOLING CAPACITY VARIATION	EA14 18 AJ1NB030	EA14 24 AJ1NB030	EA14 30 AJ1NB030	EA14 36 AJ1NB030
COIL GROUP						
30	Stk	Condenser Coil	AS-104738-03	AS-104750-03	AS-104889-03	AS-104916-03
31		Service Valve - Suction	61-105049-03	61-105049-03	61-105049-03	61-105049-03
32		Service Valve - Liquid	61-104914-05	61-104914-05	61-104914-05	61-104914-05
33a		Valve Core	61-18551-01	61-18551-01	61-18551-01	61-18551-01
33b		Valve Cap	83-100635-01	83-100635-01	83-100635-01	83-100635-01
27	Stk	Low Pressure Control	See Electrical Group			
28	Stk	High Pressure Control	See Electrical Group			
	Stk	Filter Drier	83-22755-06	83-22755-06	83-22755-06	83-22755-06

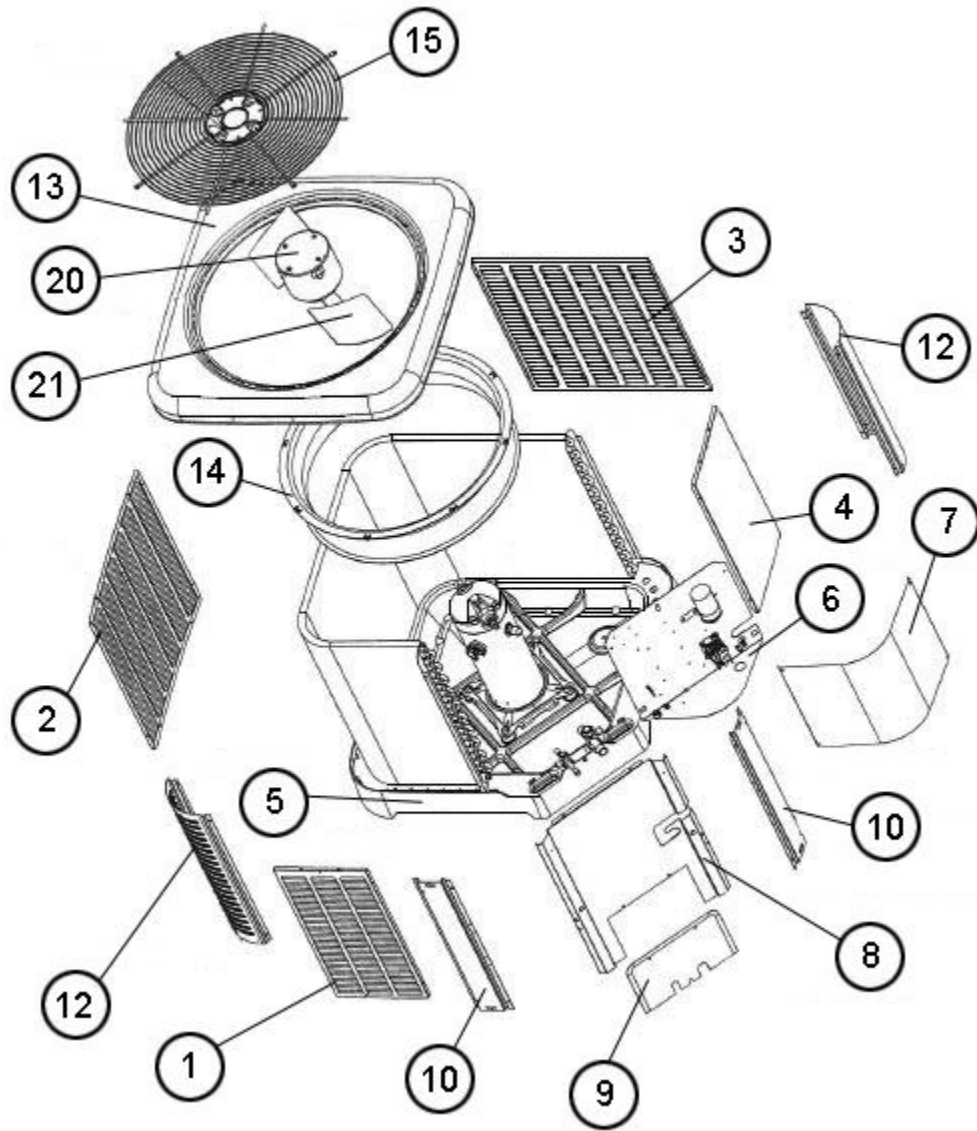
No.	Notes	MODEL COOLING CAPACITY VARIATION	EA14 42 AJ1NB030	EA14 48 AJ1NB030	EA14 60 AJ1NB030	
COIL GROUP						
30	Stk	Condenser Coil	AS-105512-03	AS-104918-03	AS-104919-03	
31		Service Valve - Suction	61-105049-04	61-105049-04	61-105049-04	
32		Service Valve - Liquid	61-104914-05	61-104914-05	61-104914-05	
33a		Valve Core	61-18551-01	61-18551-01	61-18551-01	
33b		Valve Cap	83-100635-01	83-100635-01	83-100635-01	
27	Stk	Low Pressure Control	See Electrical Group			
28	Stk	High Pressure Control	See Electrical Group			
	Stk	Filter Drier	83-22755-06	83-22755-06	83-22755-06	

No.	Notes	MODEL COOLING CAPACITY VARIATION	EA14 18 AJ1NB030	EA14 24 AJ1NB030	EA14 30 AJ1NB030	EA14 36 AJ1NB030
COMPRESSOR GROUP						
		Compressor ID:	8910	8918	8919	8920
40	Stk	Compressor	55-102045-96S	55-102045-97S	55-102045-31S	55-102045-66S
		Compressor Grommet (4)	56-18518-04	56-18518-04	56-18518-04	56-18518-04
		Compressor Bolt (4)	63-20072-07	63-20072-07	63-20072-07	63-20072-07
23	Stk	Capacitor - Compressor/Fan	43-101665-60	43-101665-06	43-101665-10	43-101665-13
	Stk	Compressor Wiring Harness (Molded Plug)	45-100834-80	45-100834-80	45-100834-80	45-100834-80
25		Crankcase Heater	See Accessories			
		Filter Drier	See Coil Group			

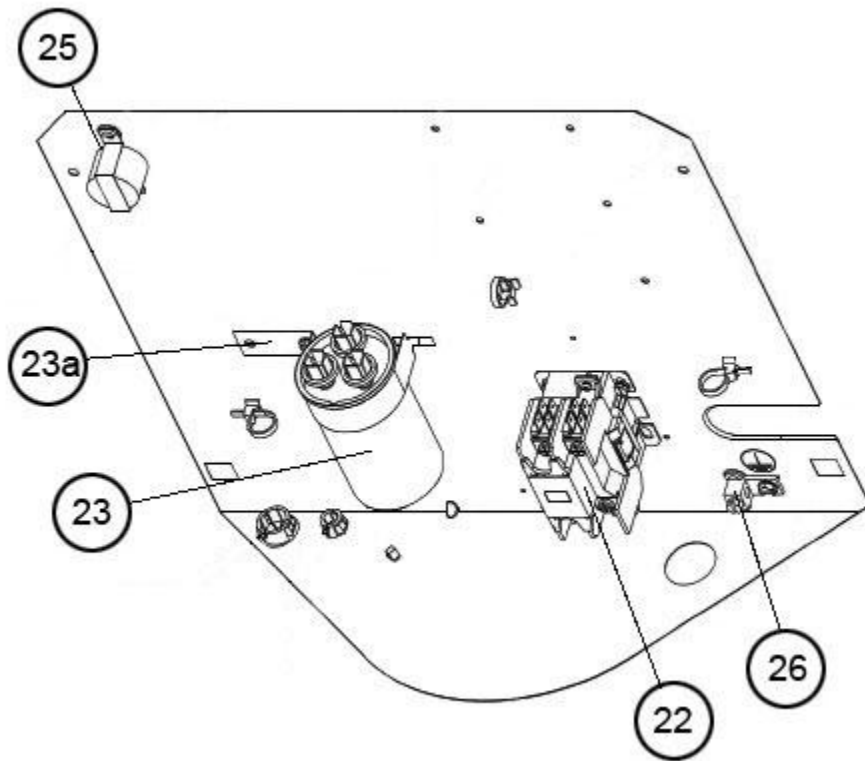
No.	Notes	MODEL COOLING CAPACITY VARIATION	EA14 42 AJ1NB030	EA14 48 AJ1NB030	EA14 60 AJ1NB030	
COMPRESSOR GROUP						
		Compressor ID:	9123	8922	8923	
40	Stk	Compressor	55-102045-15S	55-102045-06S	55-102045-101S	
		Compressor Grommet (4)	56-18518-06	56-18518-06	56-18518-06	
		Compressor Bolt (4)	63-20072-07	63-20072-07	63-20072-07	
23	Stk	Capacitor - Compressor/Fan	43-101665-13	43-101665-42	43-101665-59	
23		Capacitor - Fan	N/A	N/A	N/A	
	Stk	Compressor Wiring Harness (Molded Plug)	45-100834-80	45-100834-80	45-100834-80	
25		Crankcase Heater	See Accessories			
		Filter Drier	See Coil Group			

No.	Notes	MODEL COOLING CAPACITY VARIATION	EA14 18 AJ1NB030	EA14 24 AJ1NB030	EA14 30 AJ1NB030	EA14 36 AJ1NB030
ACCESSORIES						
		Low Ambient Control	RXAD-A08	RXAD-A08	RXAD-A08	RXAD-A08
		Compressor Crankcase Heater	44-17402-44	44-17402-44	44-17402-44	44-17402-44
		Compressor Sound Cover	68-23427-26	68-23427-26	68-23427-26	68-23427-26
		Compressor Time Delay	RXMD-B01	RXMD-B01	RXMD-B01	RXMD-B01
		Low Pressure Control	RXAC-A07	RXAC-A07	RXAC-A07	RXAC-A07
		High Pressure Control	RXAB-A07	RXAB-A07	RXAB-A07	RXAB-A07
		Compressor Hard Start Kit	SK-A1	SK-A1	SK-A1	SK-A1

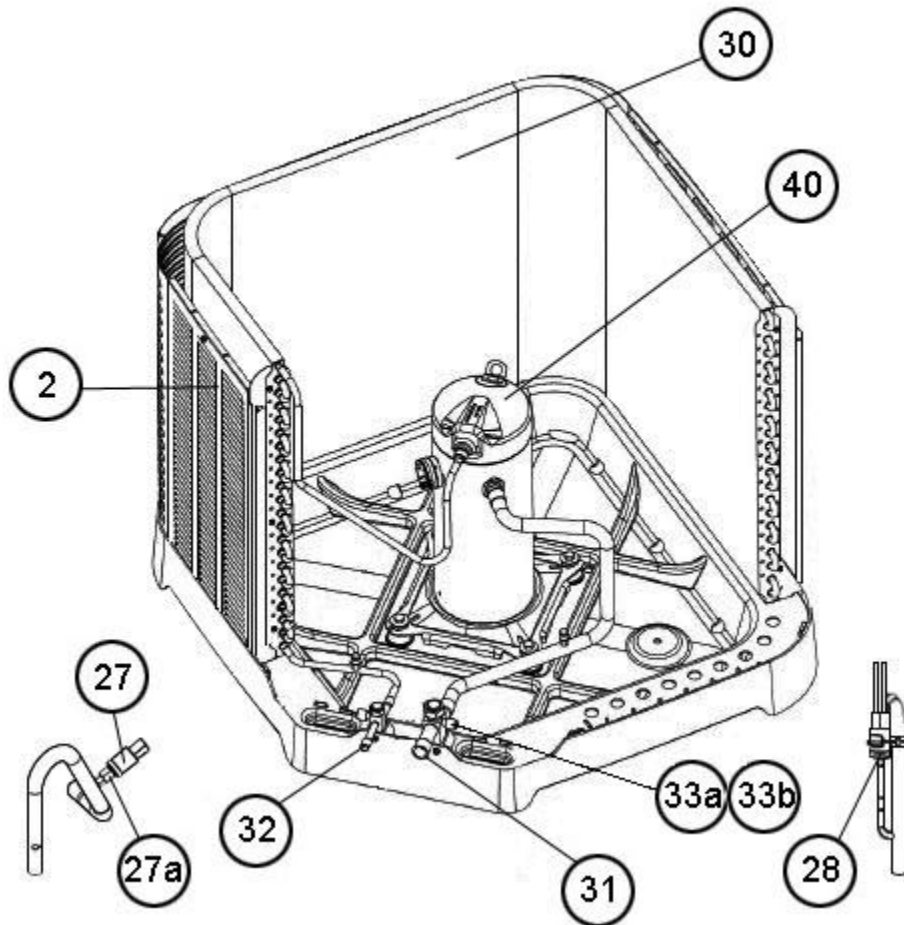
No.	Notes	MODEL COOLING CAPACITY VARIATION	EA14 42 AJ1NB030	EA14 48 AJ1NB030	EA14 60 AJ1NB030	
ACCESSORIES						
		Low Ambient Control	RXAD-A08	RXAD-A08	RXAD-A08	
		Compressor Crankcase Heater	44-17402-45	44-17402-45	44-17402-45	
		Compressor Sound Cover	68-23427-25	68-23427-25	68-23427-25	
		Compressor Time Delay	RXMD-B01	RXMD-B01	RXMD-B01	
		Low Pressure Control	RXAC-A07	RXAC-A07	RXAC-A07	
		High Pressure Control	RXAB-A07	RXAB-A07	RXAB-A07	
		Compressor Hard Start Kit	SK-A1	SK-A1	SK-A1	



Exploded View



Control Box



Valve Mounting, Compressor

NOTES

Stk It is recommended that stock be maintained for this part.
N/A Not Applicable

DISCLAIMER: This document is intended to provide general replacement parts information to aid qualified service personnel in the repair of these models. The complete Model and Serial Number of the unit under repair should be specified when selecting and ordering replacement parts. Specifications and illustrations are subject to change without notice. Document 92-42802-EA14 supersedes all previous parts lists for these models. See <http://www.rheempartslists.net/92-42802-EA14> for the latest revision of this document. The manufacturer assumes no obligation for errors or omissions. Service personnel must verify the proper and safe operation of equipment after the replacement of any original components.