



The new degree of comfort.®

A WINNING PERFORMANCE WITH THE RHEEM® INVERTER SERIES



HIGH EFFICIENCY AIR CONDITIONERS

Learn more at Rheem-MEA.com



R410A
REFRIGERANT



WE DON'T MAKE PRODUCTS, WE PROVIDE

SOLUTIONS

SOLUTIONS FOR A GREENER PLANET

At Rheem®, providing The New Degree of Comfort® is about more than just product performance—it's about taking a higher degree of responsibility for future generations. That's why, from air to water and residential to commercial, our focus is on creating solutions that leave you feeling comfortable—and leave the planet a little better than we found it.

SOLUTIONS FOR EFFICIENT & EARTH FRIENDLY PRODUCTS

We understand that with increased environmental concerns, R22 is becoming less popular. The production of R22 refrigerant contributes to the depletion of the ozone layer and adds to global warming. Rheem® always focuses on environmentally friendly, energy saving and high performance air conditioners and hence today most of Rheem®'s products are developed with R410A refrigerant. R410A refrigerant is highly efficient and has an Ozone Depletion Potential (ODP) of 0.

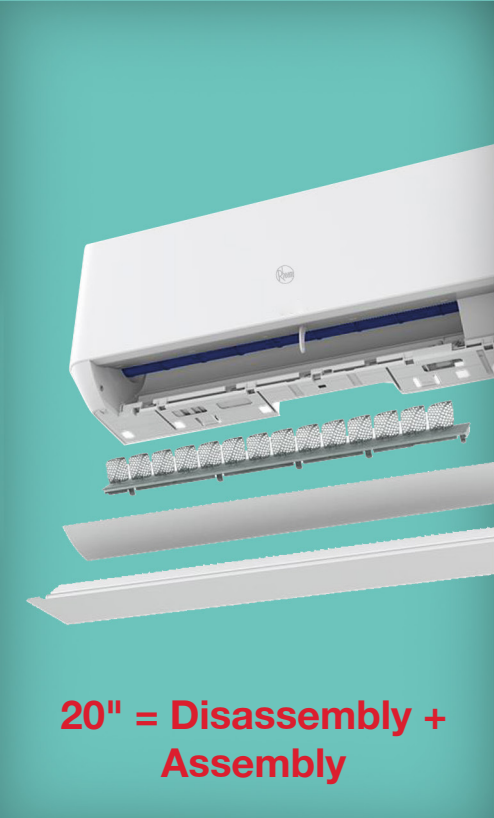
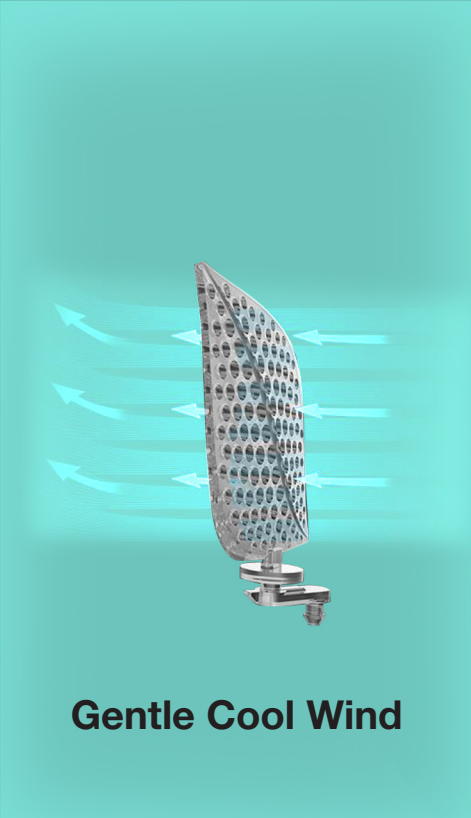


ENVIR^oNMENT

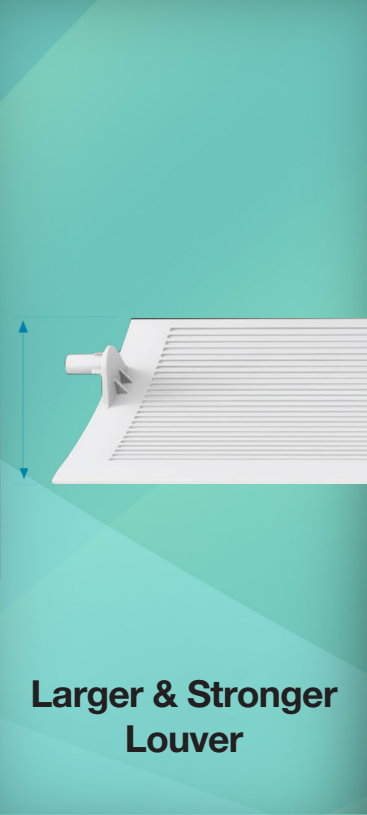
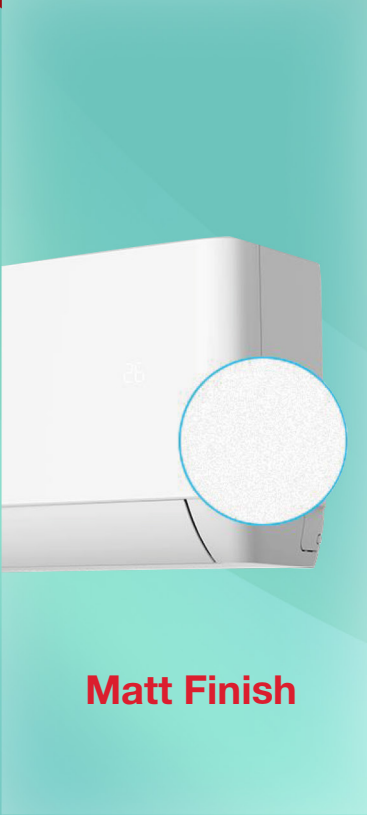
FRIENDLY



Innovations*



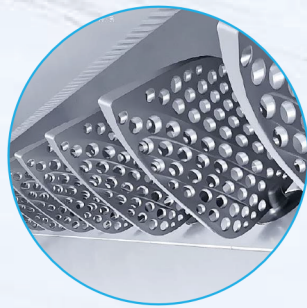
Upgrades*



* For RW18CIHT01 and RW24CIHT01
 ** Optional

Turbo Cooling*

100Hz High Frequency Starting
Rapid Cooling up to 30" **
Air Volume Increased by 20%
Noise Reduced by 1-2 dB(A)



* For RW18CIHT01 and RW24CIHT01
** Data from specific sample under testing condition



Gentle Cool Wind*

Gentle cool wind blades to ensure comfort for user.



* For RW18CIHT01 and RW24CIHT01

Shower-style Air Flow
In Cooling Mode
Blanket-Style Air Flow
In Heating Mode



SMART AIR FLOW

In cooling mode, the cool air blows towards the ceiling to provide a shower - style cooling experience.
In heating mode, the warm air blows towards the floor to provide a blanket - style heating experience.

R410A
REFRIGERANT

In Heating Mode

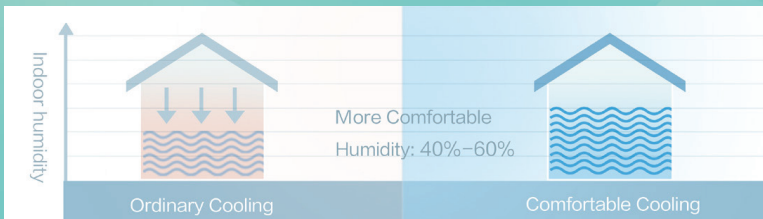


In Cooling Mode



COMFORTABLE COOLING

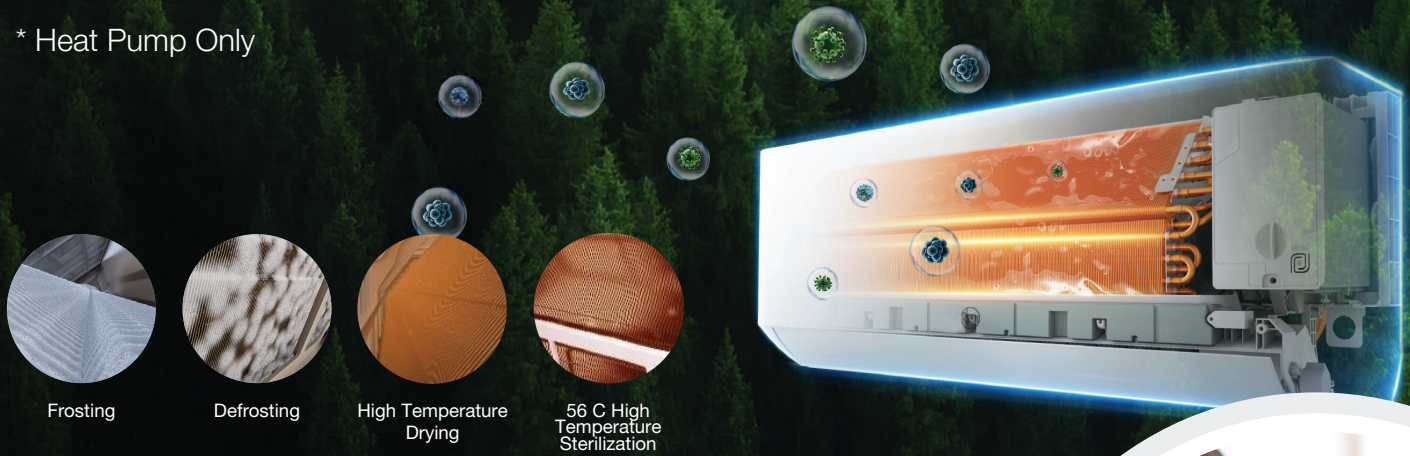
Avoiding too much dehumidification.
Maintaining comfortable humidity.



56°C HIGH TEMPERATURE SELF-CLEANING (OPTIONAL)

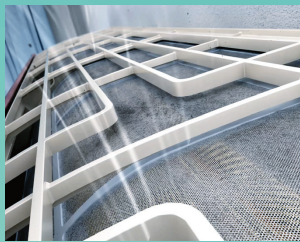
Evaporator is frosted to freeze the dirt on the fin. Then it starts defrosting to generate a large amount of water to brush away the dirt. After 56°C quick-drying, the evaporator becomes cleaner & more sterile*.

* Heat Pump Only



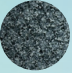
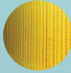



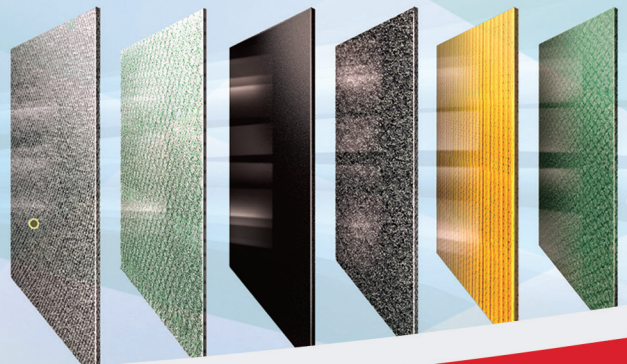
FILTER-CLEANING REMINDER

After running for a particular period, the air-conditioner will automatically detect the cleanliness of the filter and remind users to clean the filter to avoid any bacteria formation.



HEALTHY FILTER (OPTIONAL)

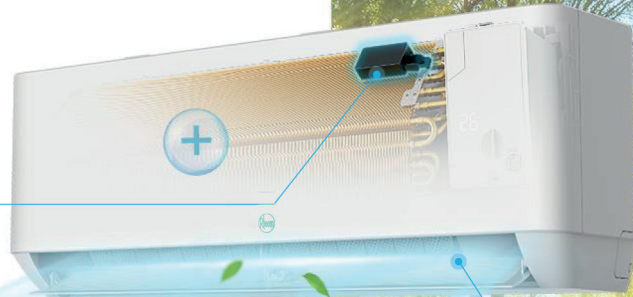
-  Photocatalyst Filter
-  Silver ion Filter
-  Active Carbon Filter
-  Catechin Filter
-  Vitamin C Filter
-  Anti-dust Static Filter



B.I.G. Care

Built in Bipolar Ionic Generator

- Bipolar Ionic Generator is built in the air outlet
- Release high energy electronics to ionizing the air
- Generate large volume of plasma, atoms, strong oxidization substance, which could damage & kill the bacteria & virus



* **Optional Feature for RW18CIHT01 and RW24CIHT01**

B.I.G. Care⁺

Bipolar Ionic Generator & UVC Sterilization Pro

Built in Bipolar Ionic Generator

- Bipolar Ionic Generator is built in the air outlet
- Release high energy electronics to ionizing the air
- Generate large volume of plasma, atoms, strong oxidization substance, which could damage & kill the bacteria & virus

UVC Sterilization

- UVC radiation: 240nm-280nm
- Kills bacteria by damaging their protein & DNA

Bacteria Eliminating Rate

> 98.66%

* **Optional Feature for RW18CIHT01 and RW24CIHT01**

RAPID COOLING



****RAPID COOLING TO 18°C IN 30"**
RAPID HEATING TO 40°C IN 60"

18°C

Cool wind blows out



In Cooling Mode
Outlet Temperature Decreased
from 27°C to 18°C in 30"

40°C*

Heat wind blows out



In Heating Mode
Outlet Temperature Increased
from 20°C to 40°C in 60"

Operation Status Comparison

Rheem Super Turbo Start



Normal Starting

Time

* Electric auxiliary heat only

**Limitation on return air temperature

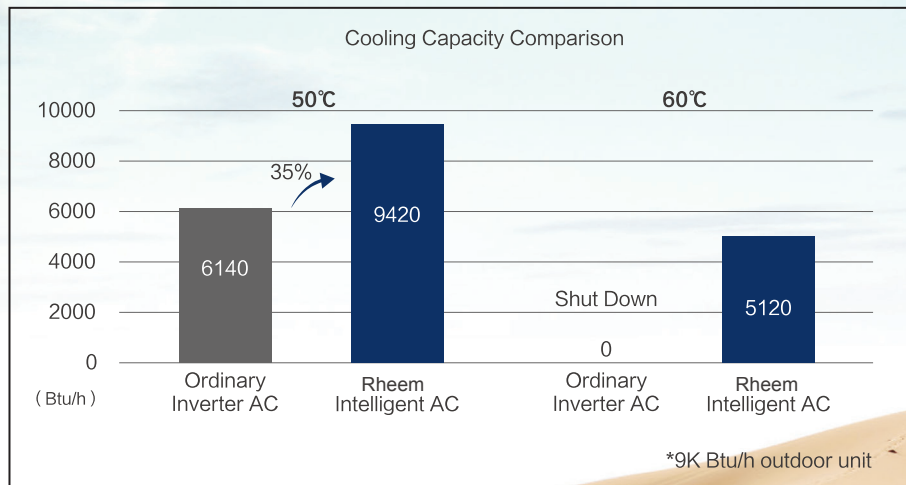
STRONG HEATING IN LOW AMBIENT TEMPERATURE

-20°C Ambient: Still Good Heating.

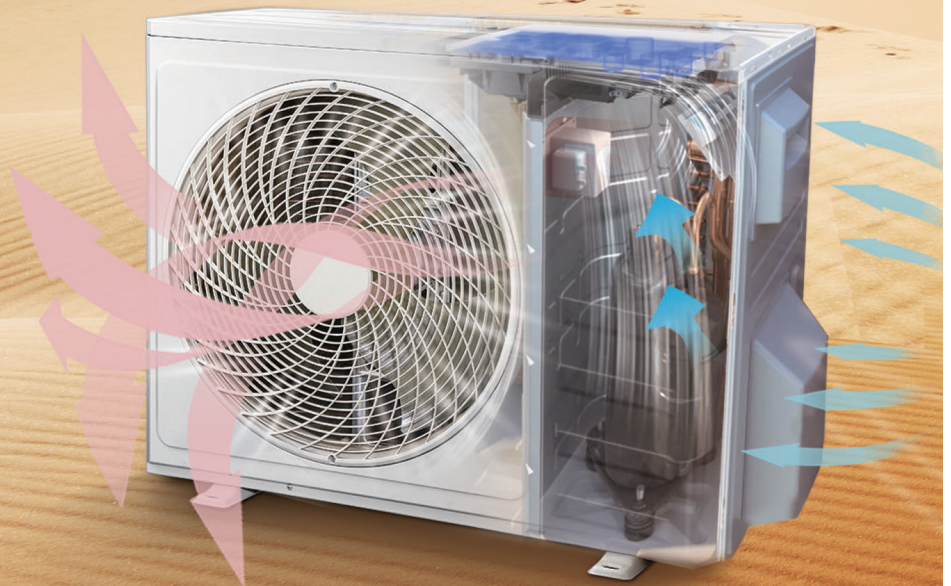
STRONG COOLING IN HIGH AMBIENT TEMPERATURE

No cooling capacity decline in 50°C ambient.
Nonstop cooling in 60°C ambient temperature.

Air-cooled electric control box technology is applied to effectively cool down temperature of electric parts in outdoor unit.



60°C












SPLIT AIR-CONDITIONER



dcDC INVERTER

Standard

-  Emergency Button
-  Independent Dehumidify
-  Low Noise
-  Anti-cold
-  Sleep Mode
-  24H Timer
-  Auto Restart
-  Rust Proof
-  Dual Drainage

MODELS

- RW12CIHT01
- RW18CIHT01
- RW24CIHT01

FULL DC INVERTER AIR CONDITIONER



DC Inverter Compressor



Outdoor DC motor



Indoor vane DC motor

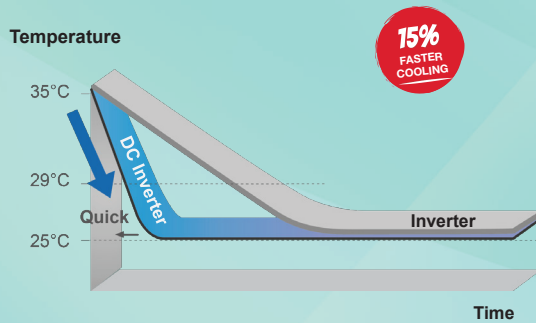


Indoor DC motor

DC INVERTER

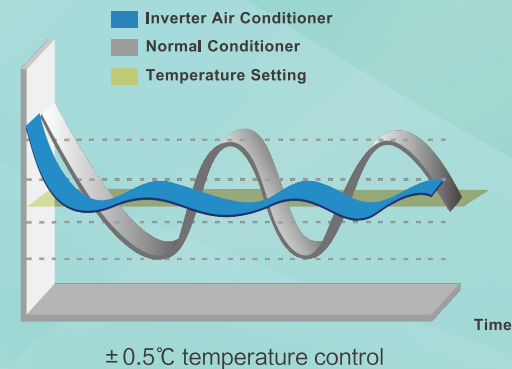
Fast Cooling

DC inverter air-conditioner enables the compressor to achieve maximum frequency in the shortest time from start up. It cools down 15% faster than conventional non-inverter air-conditioner.



Precise Cooling

A DC inverter air-conditioner varies the compressor rotation speed to provide a precise method of maintaining the set temperature.





FAST COOLING

No more annoying sound from sudden speed change. A DC inverter air-conditioner works at an extra-quiet mode to ensure you a good sleep.



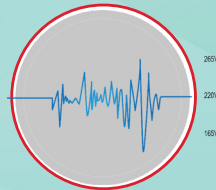
LOW TEMPERATURE HEATING

Keep you warm even when the outdoor temperature is as low as -20°C . The high frequency of the DC inverter air-conditioner enables the compressor to operate at various speed, which can be applied to different environments and ambient temperatures.



WIDE VOLTAGE RANGE START-UP

Available in most areas in the world. In a DC Inverter air-conditioner, voltage and current of the motor are controlled to ensure high efficient operation and reduce vibration. The air-conditioner can operate within the voltage range of 165-265V, even in a place where the voltage is not stable or too low.



EASY ASSEMBLY

20'' = Disassembly + Assembly

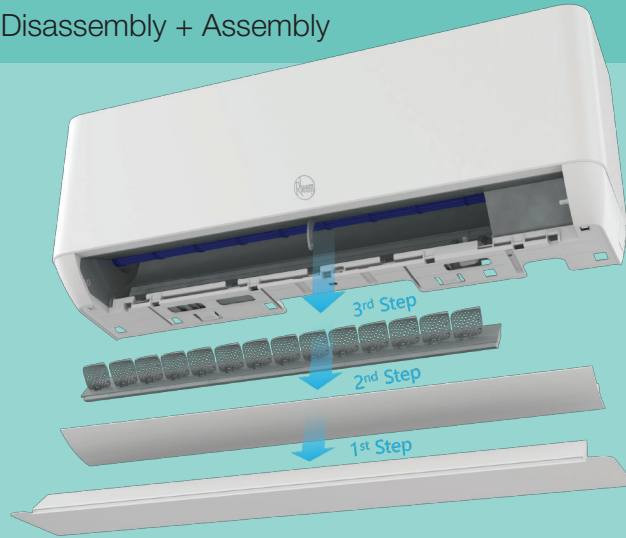
No Screw Only Buckles

8''

Disassembly

12''

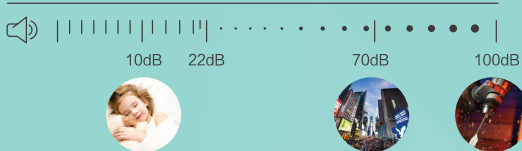
Assembly



SUPER QUIET: 22dB LOWEST

The air conditioner can be as quiet as 22dB (lowest).

22dB lowest



HIGH EFFICIENCY

Larger air inlet and outlet and optimized duct system largely increases its efficiency and saves energy consumption.



I FEEL

The in-built additional temperature sensor in the remote controller monitors the surrounding temperature. Therefore, the air-conditioner can adjust the room temperature more accurately and provide extra comfort to users.



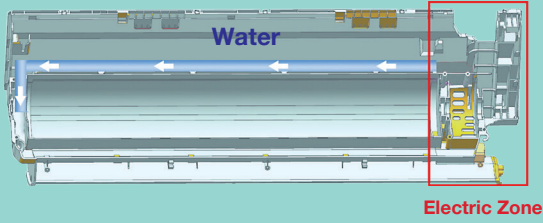
ECO

By activating the ECO mode, the air conditioner will automatically work in the most efficient and energy - saving way, while maintaining the most comfortable experience in the living room.



SAFETY DESIGN

- No Connection Between Condensate Water & Electricity.

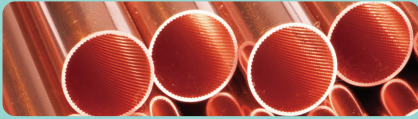


- Fireproof Electric Control Box
BMC material is applied which creates high heat resistance & erosion resistance.



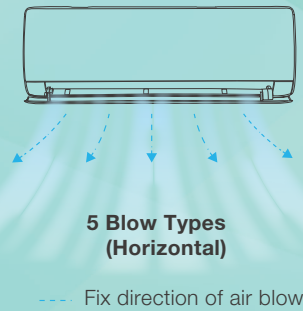
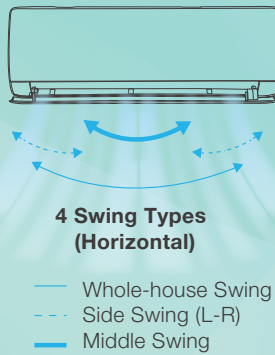
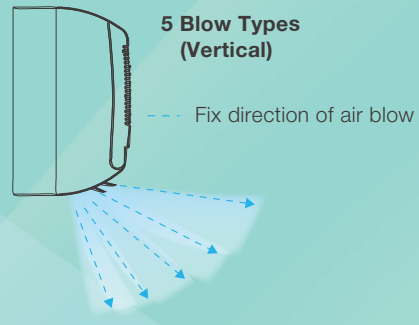
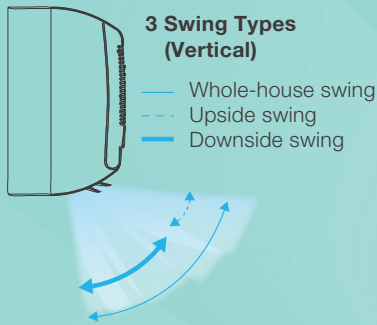
INNER-GROOVED COPPER TUBES

With the high quality inner-grooved copper, the thermal conductivity is significantly improved by 20-30% more than that of smooth tubes, because of the increased surface area of the inner copper wall.



VECTOR PRECISION AIR SUPPLY

Various precise fixed angles of air supply can provide more comfortable choices for users.



CONDENSING UNIT

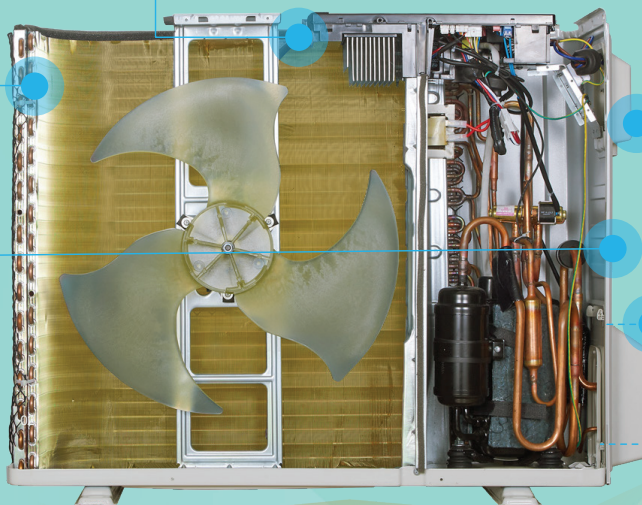
Rust-proof, strong corrosion resistance and excellent insulation

Rust-proof technology protects the outdoor unit from corrosion and extends the system life. Prevention of water, insect and dust, with reliable electric control.



Convenient Handle

Easy to carry the unit.



Flanging Processed Plate Metal

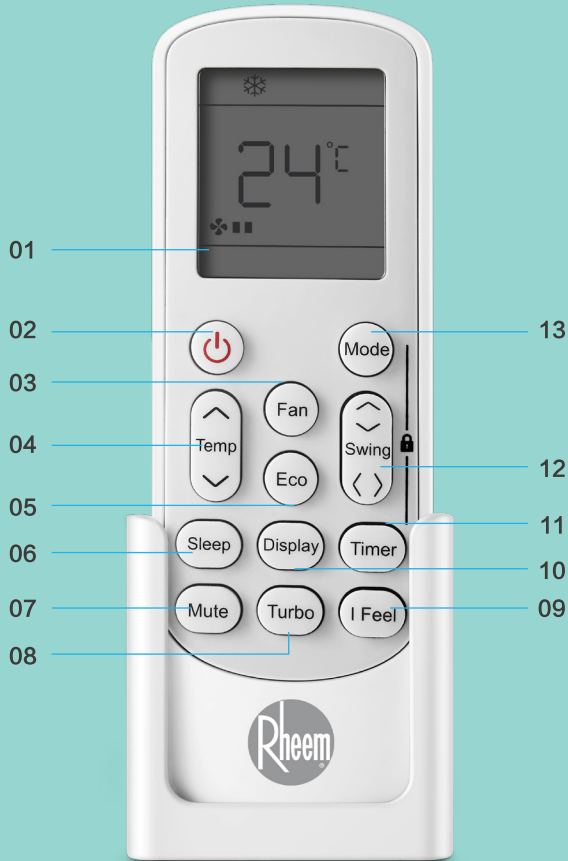
The edge of metal plate is flanging processed, and the standardized wiring protect the wires from the sharp edge that might result in cutting.



Valve Protection Cover

The Valve cover is tougher to protect the stop valve from collision and can serve as a handle as well.

REMOTE CONTROLLER



01	LED Display Screen
02	ON/OFF
03	Fan Speed Setting
04	Temperature Setting
05	Eco Mode
06	Sleep Mode
07	Mute Mode
08	Turbo
09	I Feel
10	LED Display (ON/OFF)
11	Timer Setting
12	Swing (Horizontal/Vertical)
13	Mode Setting (AUTO/COOL/DRY/FAN/HEAT)

FEATURES SUMMARY

60HZ Inverter			
Range	12K	18K	24K
Sleep	●	●	●
Clock (Real Time)	-	-	-
Timer ON/OFF	●	●	●
Vertical Swing (Motorized or Manual)	●	●	●
Horizontal Swing (Motorized or Manual)	●	●	●
Energy Saving	●	●	●
Air Flow Direction Control	●	●	●
Memory	●	●	●
Autorestart	●	●	●
IFeel	●	●	●
Turbo Cooling	●	●	●
Self Clean / Blow	●	●	●
Self Diagnosis (Error code)	●	●	●
Remote LCD	●	●	●
Filter Configuration	●	●	●
Intelligent Defrost	-	-	-
Filter Dirty Alarm	●	●	●
Cold Plasma or Ioniser	○	○	○
Children Lock	●	●	●
Evaporator Fins	Golden	Golden	Golden
Condenser Fins	Golden	Golden	Golden
LP HP Protection	●	●	●
Max Piping Capability Total (Metre)	25	25	25
Max Piping Capability Vertical (Metre)	15	15	15

● Standard ○ Optional - N/A

TECHNICAL SPECIFICATIONS

Model No.			RW12CIHT01	RW18CIHT01	RW24CIHT01
Type			Heating pump		
Control type			Remote Controller		
Rated cooling capacity(T1)		Btu/h	12300(2559~15013)	18200(3753~19107)	23000(4094~23884)
Rated cooling capacity(T1)		Watts	3600(750~4400)	5340(1100~5600)	6750(1200~7000)
Rated cooling capacity(T3)		Btu/h	11700(2559~14330)	17400(3753~18766)	21000(4436~22178)
Rated cooling capacity(T3)		Watts	3420(750~4200)	5100(1100~5500)	6150(1300~6500)
Rated heating capacity		Watts	3500(750~4900)	5250(1100~6200)	6400(1500~7800)
EER for cooling(T1)		Btu/h~W;	12.50	12.00	12.50
EER for cooling(T1)		W/W	3.66	3.52	3.66
EER for cooling(T3)		Btu/h~W;	9.50	8.50	9.10
EER for cooling(T3)		W/W	2.78	2.49	2.67
COP for heating		W/W	3.45	3.45	3.45
Pressure	High(DP)	MPa	4.5	4.5	4.5
	Low(SP)	MPa	1.9	1.9	1.9
Indoor noise level at cooling	Super	dB(A)	45	49	49
	High	dB(A)	43	45	46
	Med.	dB(A)	35	41	42
	Low	dB(A)	29	37	38
	Quite	dB(A)	27	35	36
Outdoor noise level		dB(A)	53	56	60
Indoor air volume(Cooling/Heating)		m /h	700/660/520/470/440	1050/970/850/730/640	1050/970/850/730/640
Climate type			T3		
Power supply			230V~1 Phase/ 60Hz		
Voltage Range			198~264		
Current	Cooling(T1)	A	6.6(1.1~10.0)	6.8(1.2~11.8)	11.4(1.2~15.5)
	Cooling(T3)	A	8.2(1.1~10.0)	9.1(1.2~11.8)	14.3(1.2~15.5)
	Heating	A	6.8(1.2~10.0)	6.0(1.3~11.5)	11.5(1.6~16.5)
Power input	Cooling(T1)	W	984(150~1600)	1517(270~2700)	1840(280~3300)
	Cooling(T3)	W	1232(150~1600)	2047(270~2700)	2308(280~3300)
	Heating	W	1014(150~1700)	1522(320~2650)	1855(370~3500)
Refrigerant		kg	R410A/1.20	R410A/1.43	R410A/1.85
Compressor		Type	Inverter		
Connections					
Connecting Pipe	Gas	Inches	Φ9.52(3/8")	Φ12(1/2")	Φ15.88(5/8")
	Liquid	Inches	Φ6(1/4")	Φ6(1/4")	Φ6(1/4")
Connecting Wiring		Size x Core number	4x1.0	0.75x4x5800	0.75x4x5800
Drainage Pipe			O.D 16mm	O.D 16mm	O.D 16mm
Others					
Net dimensions (W x D x H)	Indoor	mm	910x294x206	1100x333x222	1100x333x222
	Outdoor	mm	795x305x550	920x380x699	978x421x803
Net weight	Indoor	kg	9.5	14	14
	Outdoor	kg	25.5	40	49
Packing dimension (W x D x H)	Indoor	mm	979x372x277	1165x405x295	1165x405x295
	Outdoor (without piping)	mm	840x340x605	949x392x732	1025x480x840
	Outdoor (with piping)	mm	852x358x610	950x420x732	1025x480x840
Gross weight	Indoor	kg	11.5	17	16.5
	Outdoor (without piping)	kg	28.5	44	54
	Outdoor (with piping)	kg	29.5	45	57
Stuffing qty	40'HQ (without piping)	sets	255	154	112
	40'HQ (with piping)	sets	245	150	112



* (l) Entering Air D.B.T / Air W.B.T: 80°F / 67°F, (O) Entering Air D.B.T: 95°F
 ** (l) Entering Air D.B.T / Air W.B.T: 84°F / 67°F, (O) Entering Air D.B.T: 115°F
 *** (l) Entering Air D.B.T / Air W.B.T: 80°F / 67°F, (O) Entering Air D.B.T: 118.4°F

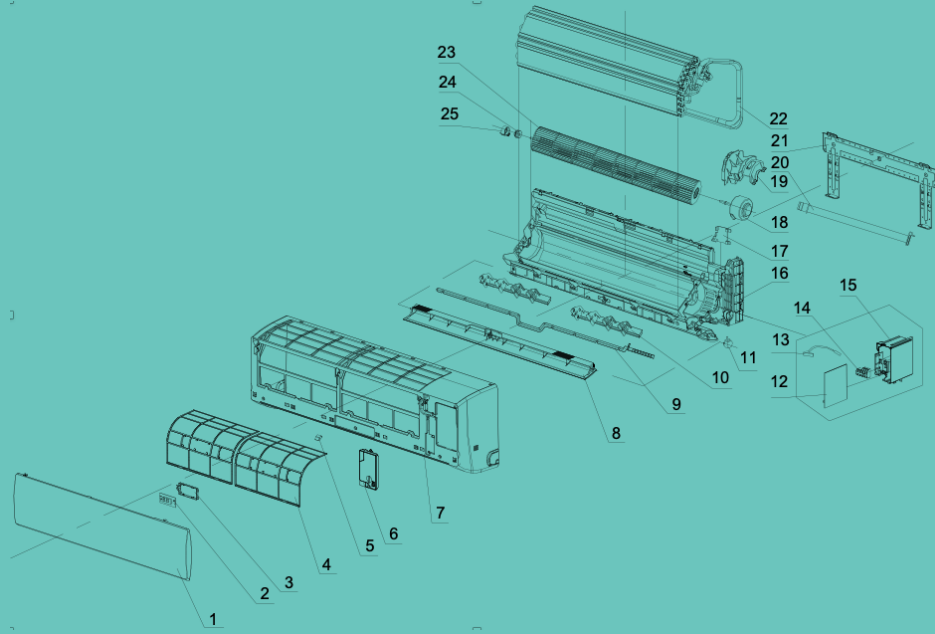
PERFORMANCE TABLE

RW12CIHT01														
AFR(CFM)	EWB(°C)	EDB(°C)	Outdoor Temperature											
			35°			40°			46°			50°		
			TC	SC	PI	TC	SC	PI	TC	SC	PI	TC	SC	PI
Low	17.2	24.4	10.911	9.417	0.949	9.937	8.699	1.014	9.789	8.882	1.194	9.267	6.651	1.288
	19	27	11.653	10.715	0.954	10.616	9.865	1.021	10.457	9.918	1.207	9.897	7.521	1.318
	19	29	11.696	10.569	0.959	10.655	9.716	1.024	10.496	9.945	1.206	9.935	7.381	1.317
Med	17.2	24.4	11.717	9.913	0.953	10.752	9.154	1.020	10.699	10.118	1.202	10.199	7.004	1.297
	19	27	12.139	11.280	0.955	11.056	10.383	1.027	10.892	10.556	1.217	10.309	7.904	1.321
	19	29	12.184	11.008	0.963	11.098	10.226	1.030	10.932	10.374	1.216	10.348	7.768	1.327
High	17.2	24.4	11.840	10.434	0.957	10.831	9.636	1.026	10.735	10.391	1.211	10.402	7.371	1.307
	19	27	12.645	11.874	0.961	11.565	10.930	1.033	11.509	10.920	1.217	10.893	8.177	1.328
	19	29	12.691	11.710	0.967	11.611	10.766	1.036	11.552	11.258	1.211	10.935	8.037	1.322

RW18CIHT01												
AFR(CFM)	EWB(°C)	EDB(°C)	Outdoor Temperature									
			35°			40°			46°			
			TC	SC	PI	TC	SC	PI	TC	SC	PI	
Low	17.2	24.4	15.142	13.825	1.431	13.791	12.770	1.529	14.674	14.328	1.967	
	19	27	16.172	15.730	1.438	14.732	14.483	1.540	15.674	16.176	1.989	
	19	29	16.230	15.516	1.446	14.786	14.264	1.544	15.733	15.902	1.987	
Med	17.2	24.4	16.260	14.553	1.437	14.366	13.439	1.538	15.286	15.088	1.982	
	19	27	16.845	16.560	1.440	15.342	15.243	1.549	16.327	17.030	2.005	
	19	29	16.909	16.160	1.452	15.401	15.013	1.553	16.386	16.736	2.003	
High	17.2	24.4	16.431	15.318	1.443	15.030	14.146	1.547	16.092	15.882	1.996	
	19	27	17.548	17.432	1.449	16.050	16.046	1.558	17.251	17.617	2.006	
	19	29	17.611	17.191	1.458	16.113	15.805	1.563	17.316	17.315	1.996	

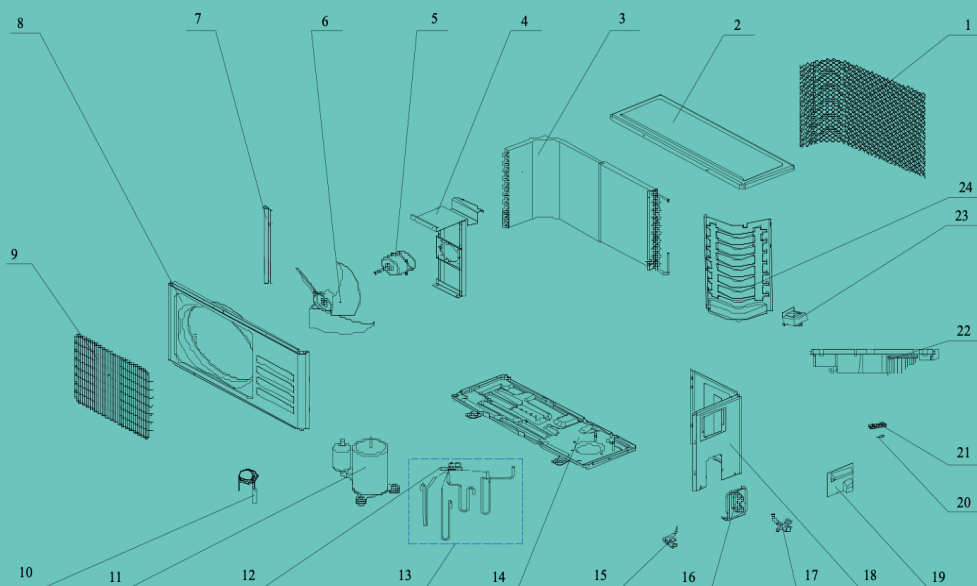
RW24CIHT01											
AFR(CFM)	EWB(°C)	EDB(°C)	Outdoor Temperature								
			35°			40°			46°		
			TC	SC	PI	TC	SC	PI	TC	SC	PI
Low	17.2	24.4	20.082	15.375	1.786	18.290	14.202	1.909	18.164	17.350	2.280
	19	27	21.448	17.494	1.796	19.539	16.107	1.922	19.402	19.587	2.305
	19	29	21.526	17.256	1.805	19.610	15.863	1.928	19.475	19.256	2.303
Med	17.2	24.4	21.564	16.185	1.794	19.053	14.947	1.920	18.921	18.271	2.296
	19	27	22.341	18.417	1.797	20.348	16.952	1.934	20.210	20.621	2.324
	19	29	22.425	17.973	1.813	20.425	16.697	1.939	20.283	20.266	2.322
High	17.2	24.4	21.791	17.036	1.801	19.933	15.732	1.932	19.919	19.232	2.313
	19	27	23.273	19.387	1.809	21.286	17.845	1.945	21.354	21.332	2.325
	19	29	23.357	19.119	1.820	21.370	17.577	1.951	21.434	20.967	2.313

PART LIST - RINW12CIHT01



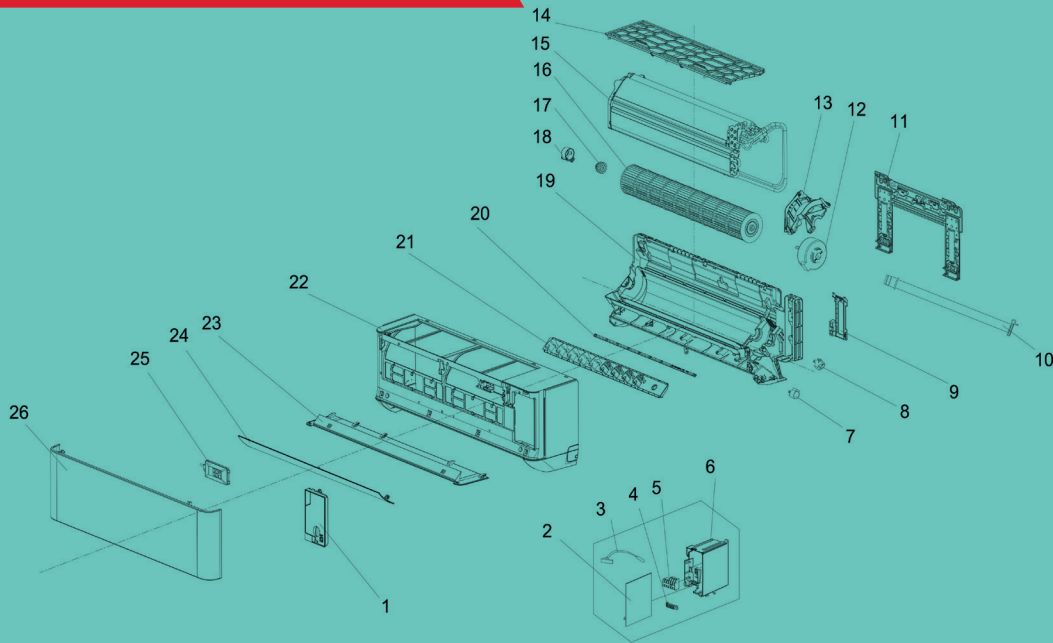
No.	Part No.	Part Name	Q'ty	Remark
1	41106-002078	Front Panel	1	
2	31102-000085	Display PCB	1	
3	42003-000001	Display PCB Box	1	
4	42008-000075	Air Filter	1	
5	41108-000066	Screw Cover	2	
6	41105-000146	Electrical Box Cover	1	
7	41106-002356	Face Frame	1	
8	41103-000149	Vane	1	
9	41101-000166	Vertical Vane Connector	1	
10	41101-000067	Vertical Vane Assembly	1	
11	22001-000321	Vane Motor	1	
12	31101-002353	Main PCB	1	
13	10104-100014	Indoor Sensor Assembly	1	
14	11304-100028	Terminal	1	
15	41105-000415	Electrical Box	1	
16	41102-000031	Base	1	
17	41101-000242	In And Out Pipe Fixer	1	
18	22001-000409	Indoor Motor	1	
19	41108-000013	Indoor Motor Cover	1	
20	42009-000011	Drainage Hose	1	
21	41109-000041	Installation Plate	1	
22	92011-002777	Evaporator	1	
23	42004-000012	Cross Fan	1	
24	42007-000009	Bearing Mount	1	
25	41101-000251	Bearing Mount Holder	1	
26	22013-004239	Remote Controller	1	Not shown in Explosion view
27	A1101-000315	Indoor Carton	1	Not shown in Explosion view
28	A2006-000040	Left Foaming	1	Not shown in Explosion view
29	A2006-000019	Right Foaming	1	Not shown in Explosion view

PART LIST - RONW12CIHT01



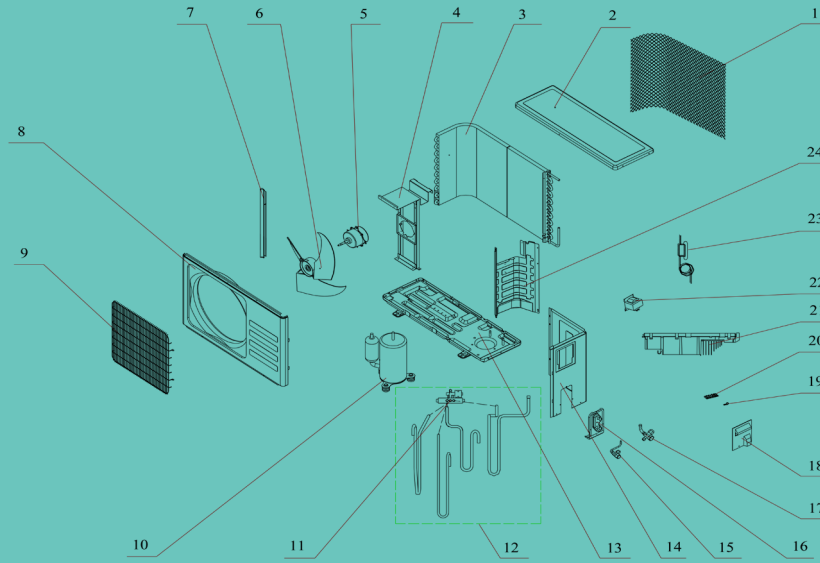
No.	Part No.	Part Name	Q'ty	Remark
1	42011-000185	Grille	1	Optional
2	41207-000040	Top Cover	1	
3	92011-000868	Condenser	1	
4	41203-000047	Outdoor Motor Supporter	1	
5	22001-000493	Outdoor Motor	1	
6	42004-000106	Propeller Fan	1	
7	41205-000131	Left grille supporter	1	
8	41206-000048	Front Plate	1	
9	42011-000083	Fan Guard	1	
10	92007-011169	Capillary Assembly	1	
11	92014-000760	Compressor	1	
12	92008-000289	4-way Valve	1	
13	92007-014602	4-way Valve Assembly	1	
14	41202-000380	Base	1	
15	92008-000051	Two-way Valve	1	
16	41204-000018	Valve Supporter	1	
17	92008-000146	Three-way Valve	1	
18	41205-000069	Right Plate	1	
19	41201-000029	Electrical Box Cover	1	
20	42001-000038	Cable clamp	1	
21	210902377	Terminal	1	
22	31201-003410	Outdoor PCB Assembly	1	
23	/	Inductor	1	
24	41208-000143	Partition plate	1	
25	10104-100136	Pipe Temp. sensor, outdoor Temp. sensor, Discharge Temp. sensor	1	Not shown in explosion view
26	A2005-000541	Base carton		Not shown in explosion view
27	A1201-002981	Cabinet Carton	1	Not shown in explosion view
28	A1202-000025	Base Foaming	1	Not shown in explosion view
29	41110-000203	Cover Forming	1	Not shown in explosion view

PART LIST - RINW18CIHT01



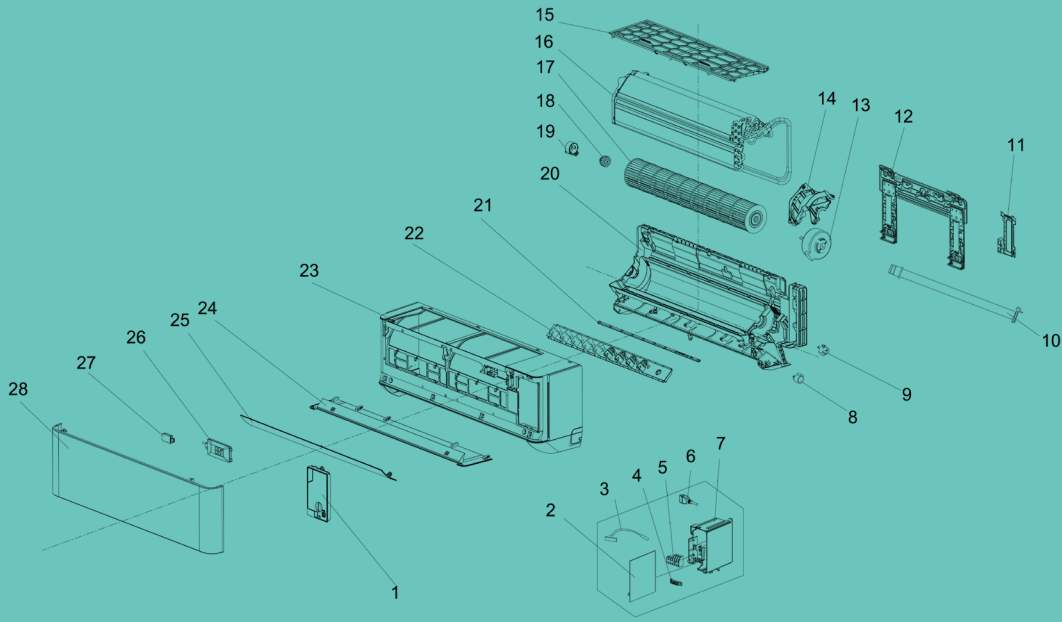
No.	Part No.	Part Name	Q'ty	Remark
1	41211-000079	Electrical Box Cover	1	
2	31101-001775	Main PCB	1	
3	10104-100014	Indoor Sensor Assembly	1	
4	42001-000103	Cable Clamp	1	
5	11304-100063	Terminal	1	
6	22007-001028	WIFI Connector	1	
7	41105-000427	Electrical Box	1	
8	22001-000360	Vane Motor	1	
9	29901-000078	Step Motor	1	
10	41101-000240	In And Out Pipe Cover	1	
11	42009-000011	Drainage Hose	1	
12	41109-000073	Installation Plate	1	
13	22001-000240	Indoor Motor	1	
14	41108-000009	Indoor Motor Cover	1	
15	42008-000175	Air Filter	2	
16	92011-005353	Evaporator	1	
17	42004-000213	Cross Fan	1	
18	42007-000009	Bearing Mount	1	
19	41101-000251	Bearing Mount Holder	1	
20	41102-000557	Base	1	
21	41101-000373	Step Motor Connect Rod	1	
22	41101-000375	Vane	18	
23	41106-003991	Face Frame Assembly	1	
24	41101-000388	Front shroud	1	
25	41103-000496	Vane	1	
26	32099-006472	Display PCB	1	
27	32001-000269	WIFI PCB	1	
28	41106-003990	Panel	1	
29	22013-004238	Remote Controller	1	Not shown in Explosion view
30	A1101-009034	Indoor Carton	1	Not shown in Explosion view
31	A1102-000003	Left Foaming	1	Not shown in Explosion view
32	A1102-000004	Right Foaming	1	Not shown in Explosion view

PART LIST - RONW18CIHT01



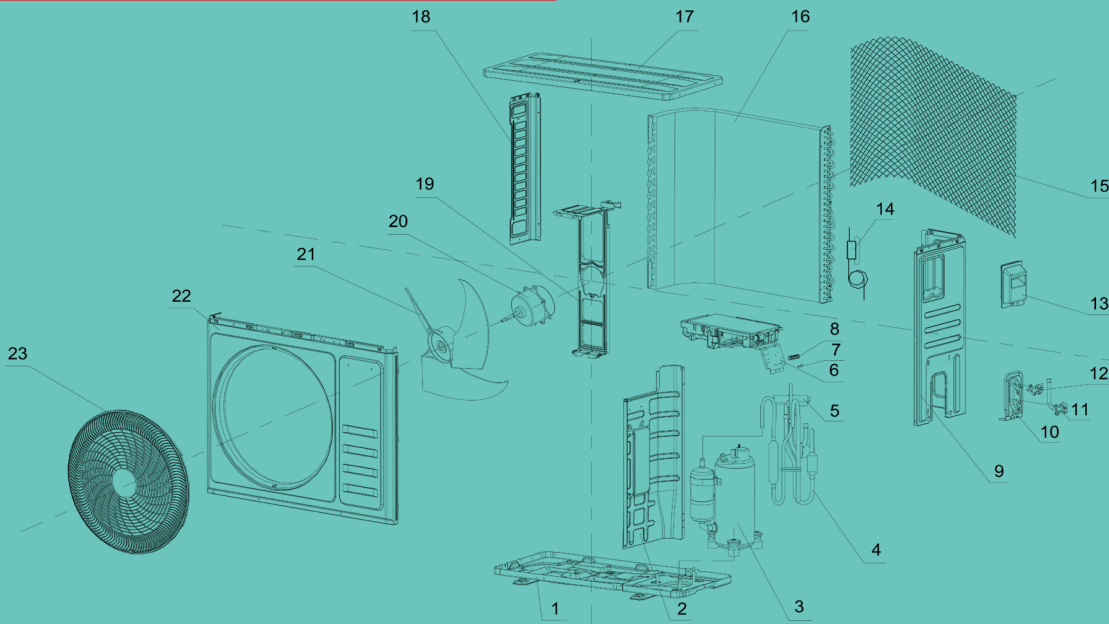
No.	Part No.	Part Name	Q'ty	Remark
1	42011-000187	Grille	1	Optional
2	41207-000028	Top Cover	1	
3	92011-008796	Condenser	1	
4	41203-000078	Outdoor Motor Supporter	1	
5	22001-000147	Outdoor Motor	1	
6	42004-000105	Propeller Fan	1	
7	41205-000135	Left grille supporter	1	
8	41206-000058	Front Plate	1	
9	42011-000039	Fan Guard	1	
10	92014-000804	Compressor	1	
11	92008-000244	4-way Valve	1	
12	92007-010837	4-way Valve Assembly	1	
13	41202-000408	Base	1	
14	41205-000088	Right Plate	1	
15	92007-006491	Two-way Valve	1	
16	41204-000018	Valve Supporter	1	
17	92007-001042	Three-way Valve	1	
18	41211-000123	Electrical Box Cover	1	
19	11304-100045	Terminal	1	
20	42001-000036	Cable clamp1	1	
21	31201-002347	Outdoor PCB Assembly	1	
22	NO	Inductor	1	soldering in pcb
23	92007-010561	Capillary Assembly	1	
24	41208-000153	Partition plate	1	
25	10104-100145	outdoor sensor	1	Not shown in explosion view
26	A2007-000932	Base carton	1	Not shown in explosion view
27	A1201-010761	Cabinet carton	1	Not shown in explosion view
28	A1202-000030	Base foaming	1	Not shown in explosion view
29	41110-000204	Cover foaming	1	Not shown in explosion view

PART LIST - RINW24CIHT01



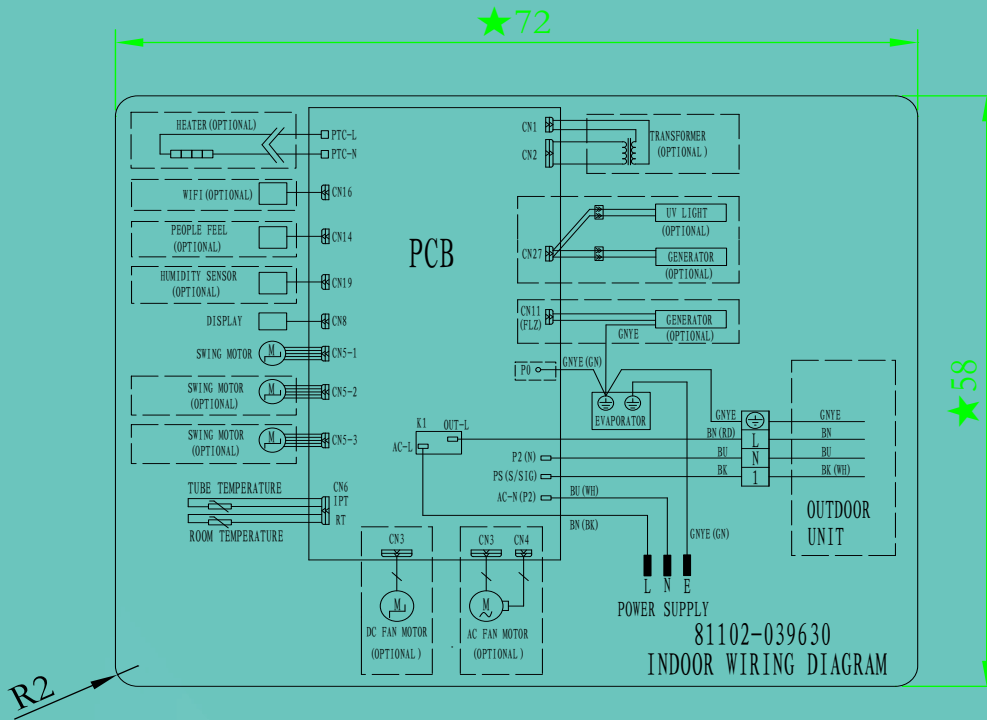
No.	Part No.	Part Name	Q'ty	Remark
1	41105-000373	Electrical Box Cover	1	
2	31101-001689	Main PCB	1	
3	10104-100014	Indoor Sensor Assembly	1	
4	42001-000103	Cable Clamp	1	
5	11304-100028	Terminal	1	
6	22007-001028	WiFi Connector	1	
7	41105-000415	Electrical Box	1	
8	22001-000360	Vane Motor	1	
9	29901-000078	Step Motor	1	
10	41101-000240	In And Out Pipe Cover	1	
11	42009-000011	Drainage Hose	1	
12	41109-000073	Installation Plate	1	
13	22001-000240	Indoor Motor	1	
14	41108-000009	Indoor Motor Cover	1	
15	42008-000175	Air Filter	2	
16	92011-004430	Evaporator	1	
17	42004-000037	Cross Fan	1	
18	42007-000009	Bearing Mount	1	
19	41101-000251	Bearing Mount Holder	1	
20	41102-000461	Base	1	
21	41101-000384	Step Motor Connect Rod	1	
22	41101-000371	Soft Wind Vane	18	
23	41106-003991	Face Frame Assembly	1	
24	41101-000388	Front shroud	1	
25	41103-000496	Vane	1	
26	32099-006472	Display PCB	1	
27	32001-000269	WiFi PCB	1	
28	41106-003990	Panel	1	
29	22013-000744	Remote Controller	1	Not shown in Explosion view
30	22009-000068	Ampholyte ions	1	
31	A1101-009034	Indoor Carton	1	
32	A1102-000003	Left Foaming	1	
33	A1102-000004	Right Foaming	1	

PART LIST - RONW24CIHT01

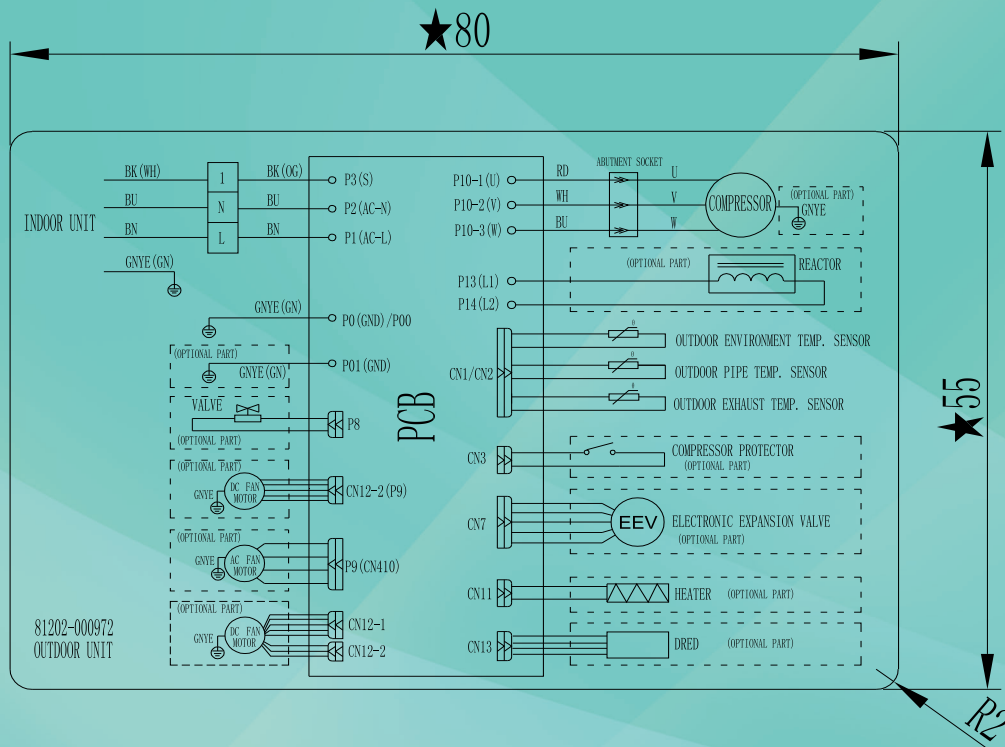


No.	Part No.	Part Name	Q'ty	Remark
1	42011-000187	Grille	1	Optional
2	41207-000028	Top Cover	1	
3	92011-008796	Condenser	1	
4	41203-000078	Outdoor Motor Supporter	1	
5	22001-000147	Outdoor Motor	1	
6	42004-000105	Propeller Fan	1	
7	41205-000135	Left grille supporter	1	
8	41206-000058	Front Plate	1	
9	42011-000039	Fan Guard	1	
10	92014-000804	Compressor	1	
11	92008-000244	4-way Valve	1	
12	92007-010837	4-way Valve Assembly	1	
13	41202-000408	Base	1	
14	41205-000088	Right Plate	1	
15	92007-006491	Two-way Valve	1	
16	41204-000018	Valve Supporter	1	
17	92007-001042	Three-way Valve	1	
18	41211-000123	Electrical Box Cover	1	
19	11304-100045	Terminal	1	
20	42001-000036	Cable clamp1	1	
21	31201-002347	Outdoor PCB Assembly	1	
22	NO	Inductor	1	soldering in pcb
23	92007-010561	Capillary Assembly	1	
24	41208-000153	Partition plate	1	
25	10104-100145	outdoor sensor	1	Not shown in explosion view
26	A2007-000932	Base carton	1	Not shown in explosion view
27	A1201-010761	Cabinet carton	1	Not shown in explosion view
28	A1202-000030	Base foaming	1	Not shown in explosion view
29	41110-000204	Cover foaming	1	Not shown in explosion view

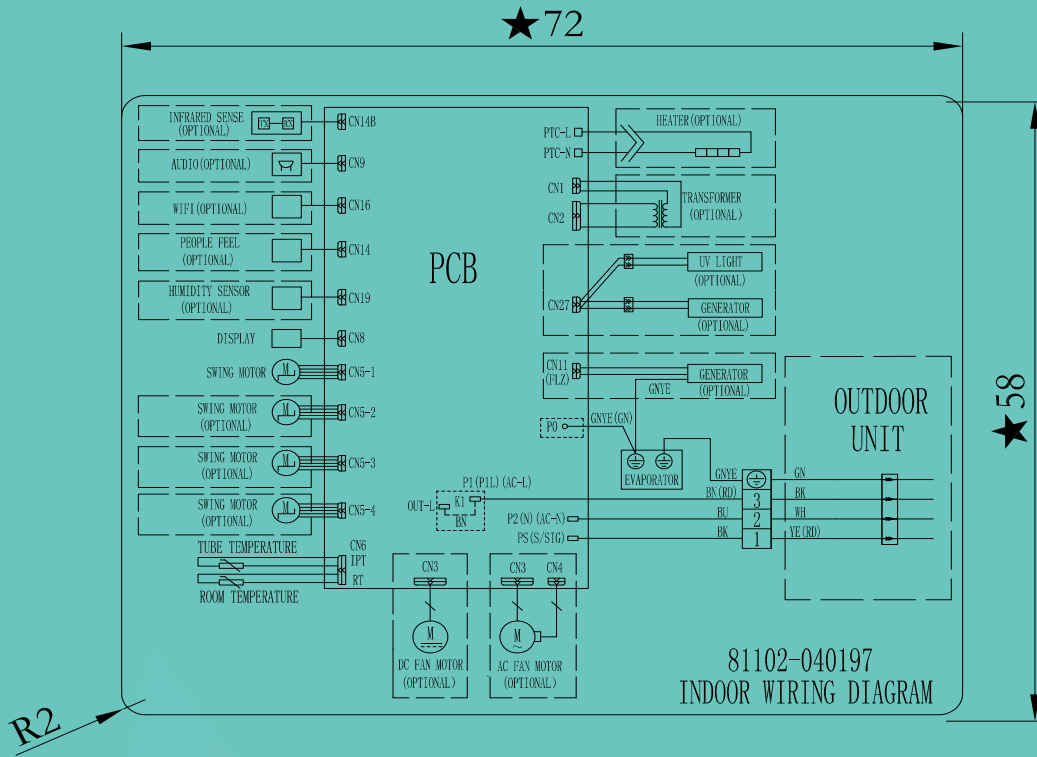
INDOOR WIRING DIAGRAM - RINW12CIHT01



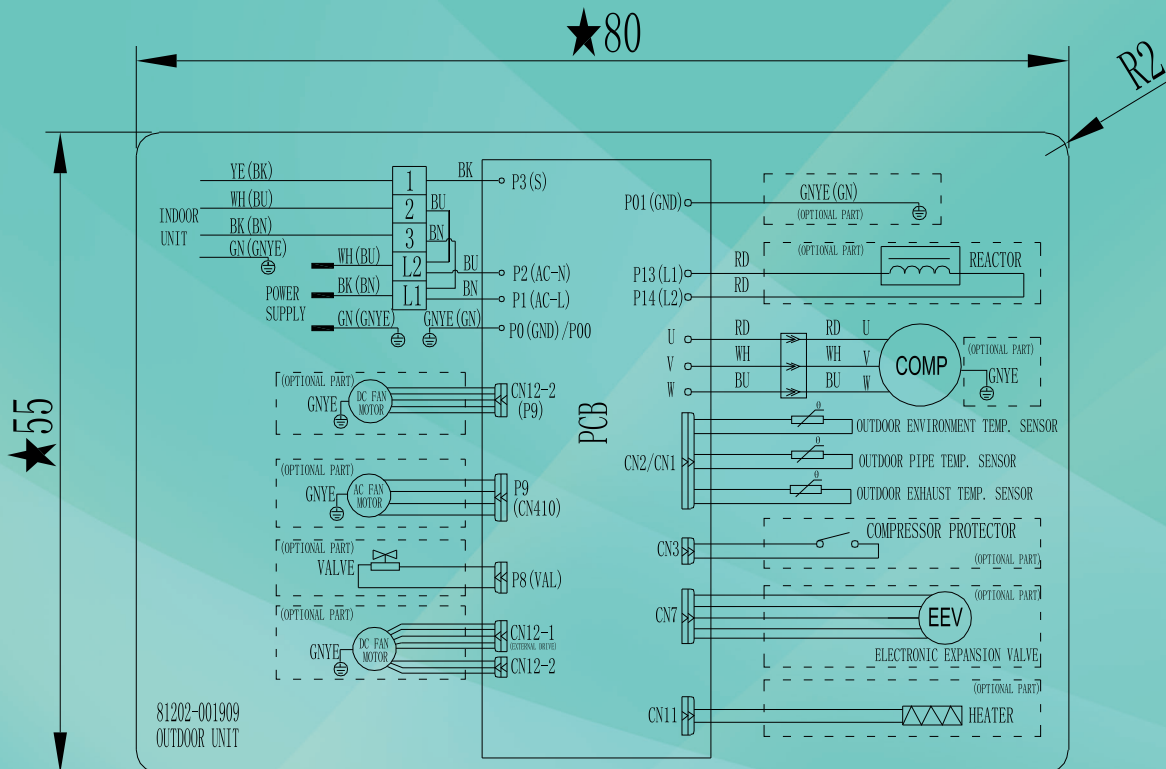
OUTDOOR WIRING DIAGRAM - RONW12CIHT01



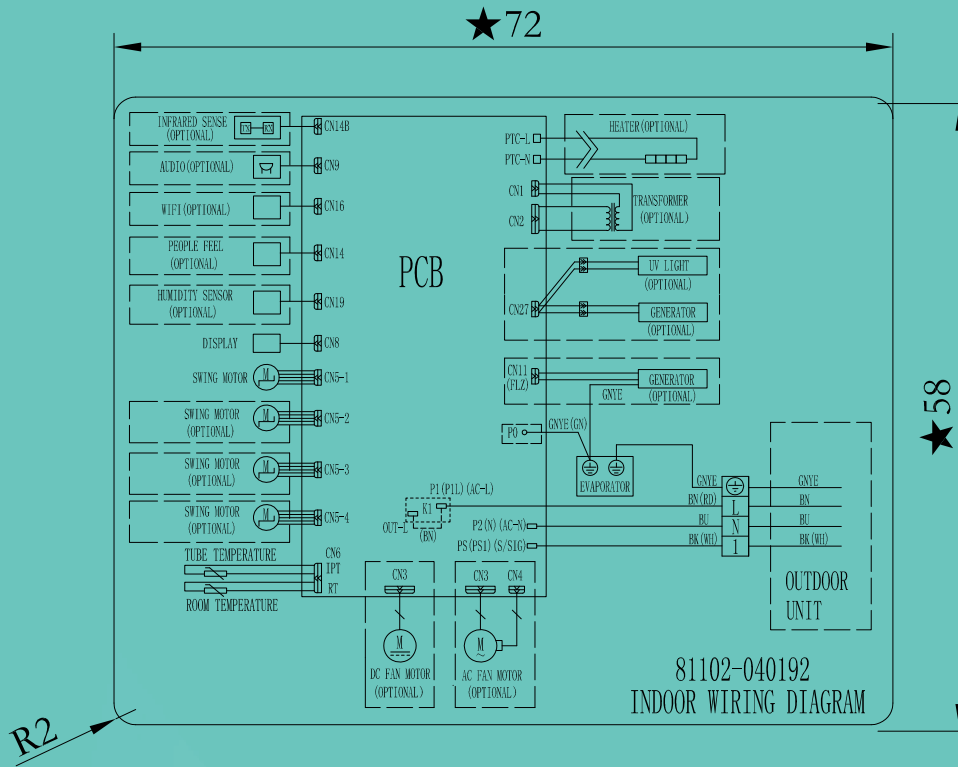
INDOOR WIRING DIAGRAM - RINW18CIHT01



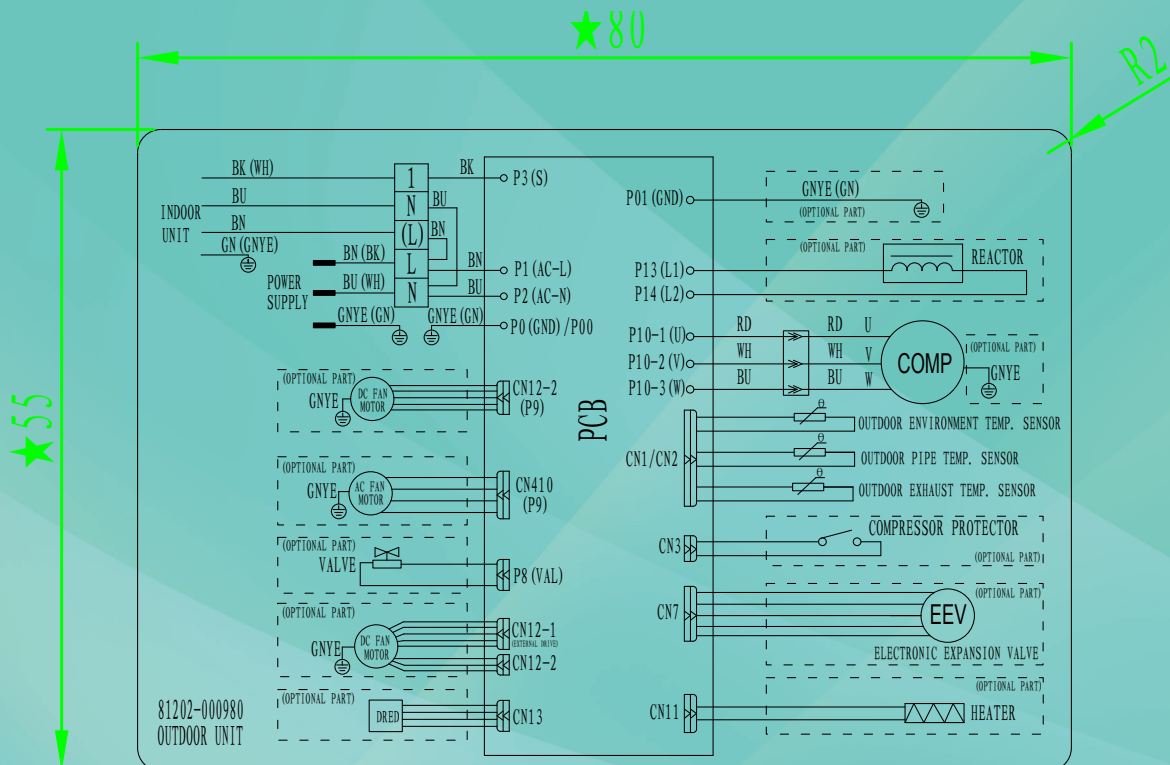
OUTDOOR WIRING DIAGRAM - RONW18CIHT01

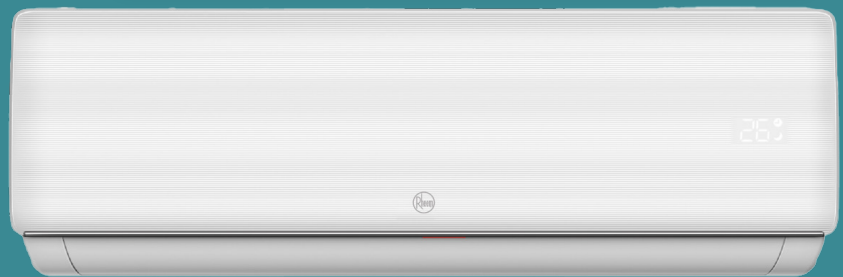
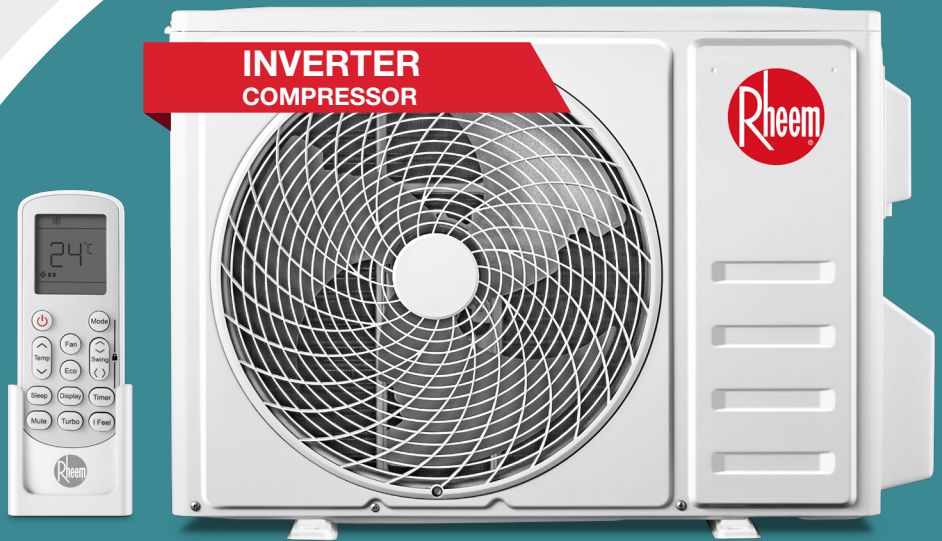


INDOOR WIRING DIAGRAM - RINW24CIHT01



OUTDOOR WIRING DIAGRAM - RONW24CIHT01





For continuous product improvement, Rheem reserves the right to change the product specifications without prior notice.



Founded in 1925, Rheem® is nearly a 100 year old North American manufacturer delivering innovative, energy efficient air conditioning and water heating solutions under one roof to homes and businesses in more than 70 countries worldwide. From its Atlanta, Ga. Headquarters, three U.S. manufacturing facilities, state-of-the-art distribution center and Advanced Technology Integration (ATI) Lab, Rheem® designs, builds and supplies some of the most reliable, environmentally responsible and technologically advanced products in the industry. Under the "One Rheem Quality" promise, every Rheem® built everywhere in the world is held to the same high standard of excellence.

@rheemmea

Rheem Middle East and Africa

Learn more at Rheem-MEA.com

